

RESETTING THE REMOTE CONTROL

The remote handpiece and receiver come factory paired and ready to use. If the remote and receiver are not communicating, follow the below process to reset:

- Turn the isolation switch (wall switch) off for a minimum of 1 minute.
- Turn the isolation switch on, you should hear a "beep" sound from the control module (in the ceiling).
- Press the "power on" button on the remote handpiece within 5 seconds of hearing the sound.
- Once successfully paired a "beep" sound is heard again.
- Press each function button on the remote to ensure correct operation.

ALTERNATIVELY

- Power the unit on and press the black "pair" button on the control module (receiver).
- Press the power button on the remote handpiece (pairing has been successful when you hear a "beep" sound).
- Press each function button on the remote to ensure correct operation.

SPECIAL NOTES FOR FAN HEATER PRODUCTS

- Use 'Fan' only (without 'Heat') for cooling effect in warmer weather.
- When turning on the heat function, the fan will start automatically and cannot be turned off.
- When you turn the heat function off, the fan will keep working for an additional 40 seconds to cool the unit down.

SAFETY INSTRUCTIONS

- The remote and receiver use a high voltages and must be installed by a qualified electrician.
- Ensure all wiring is connected as per the supplied wiring diagram and that it matches the guide at each terminal.
- Before powering the unit on, please check carefully to make sure all wiring is correct and secure.
- Please ensure the unit is disconnected from the mains power supply before inspecting/checking or performing any maintenance.

MAXIMUM WATTS (W) PER INPUT

- Exhaust : 800W
- Fan : 800W
- Heat I : 1500W
- Heat II : 1500W
- Light : 800W

SPECIFICATIONS

Rated voltage/Current: 250V, 10A

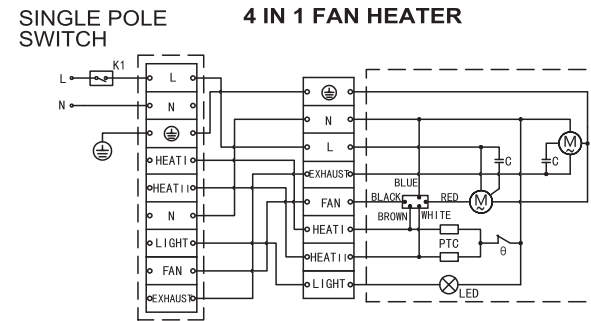
INSTALLATION STEPS

Isolate Power → Complete Wiring → Test Operation

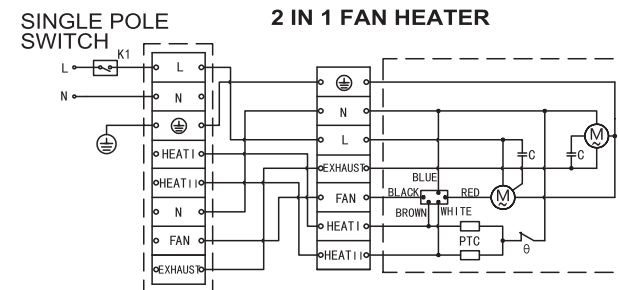
NOTE: Means for all-pole disconnection must be incorporated into the fixed wiring in accordance with the latest wiring rules.

See recommended wiring diagrams below (depending on product type).

Fan Heater

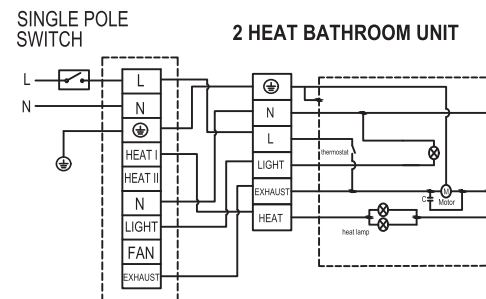


REMOTE CONTROL

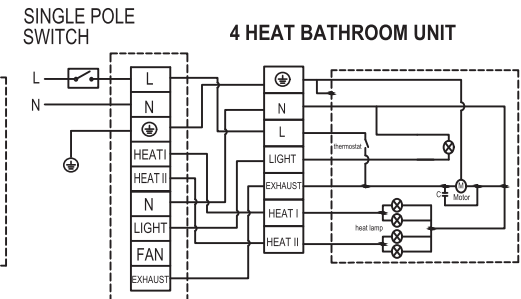


REMOTE CONTROL

Traditional style 2 heat globe and 4 heat globe bathroom heaters



REMOTE CONTROL



REMOTE CONTROL