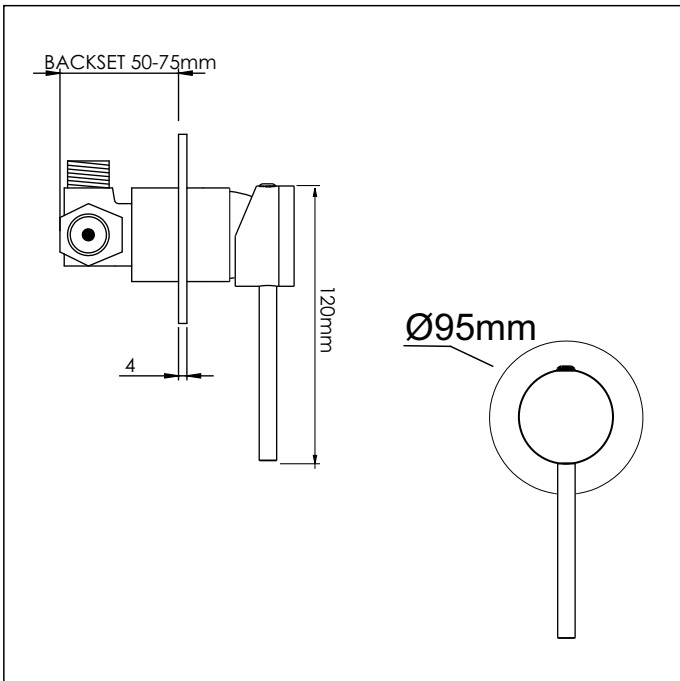


Circo

Shower Mixer 40mm



Code: CC SHM40 BS	CC SHM40 GM	CC SHM40 BLK	CC SHM40 BG	CC SHM40 M
Finish: Brushed Stainless	Gun Metal	Black	Brushed Gold	Mirror Finish

Faceplate: 95mm(diameter) x 4mm thick

Backset: (Mounting board to front of lining) Minimum: 50mm Maximum: 75mm

Installation Hole Diameter: Minimum: 46mm Ø Maximum: 80mm Ø

Inlets: 1/2" BSP male

Outlet: Upper: 1/2" BSP male

Cartridge: Kerox 40KH Flat base

Finish/Material Specifications:

- Handle is Made from 100% solid stainless steel
- (M) Mirror finish is achieved through polishing the stainless to a mirror-like shine.
- Black finish is electroplated
- The Gun Metal and Brushed Gold finish are PVD (Physical Vapour Deposition)



KIWI OWNED COMPANY



Aquatica NZ Limited

9 Saunders Place,
Avondale, Auckland.
Tel: 09-828 2068,
Fax: 09-828 2069
Email: info@aquatica.co.nz
or visit our website:
www.aquatika.co.nz

© copyright Aquatica 2019

Suitable for low/unequal & mains pressure systems
Recommended Operational Pressure Range: 35 - 600 kPa
Maximum Operating Temp: 80°C Never to Exceed: 1000 kPa

No WELS rating required

Please note: Specifications are subject to change without notice. It is the responsibility of the installer to check the measurements of the physical product before installation