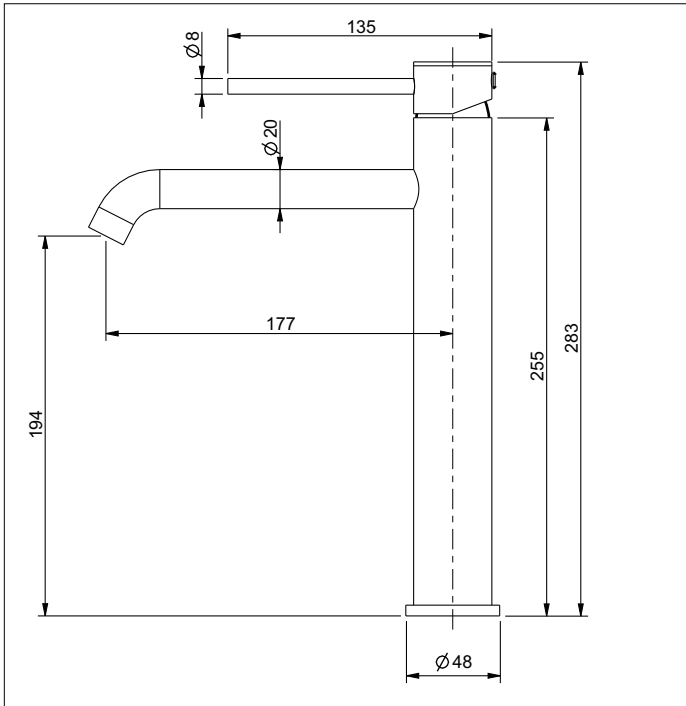


Circo

Vessel Mixer All Pressure



Code: CC VMAP BS | CC VMAP GM | CC VMAP BLK | CC VMAP BG | CC VMAP M
Finish: Brushed Stainless | Gun Metal | Black | Brushed Gold | Mirror Finish

Spout: Fixed

Water Outlet: M20 ring with TT Aerator PCA supplied

Body: 40mm diameter

Stainless Steel Inlet Hoses:

Hot: Size: M10 x1/2" BSP
 Length: 400mm

Cold: Size: M10 x1/2" BSP
 Length: 400mm

Base plate supplied with custom flat seal

Mounting Hardware: 32mm Stainless steel threaded tube
 Nut: 36mm AF
 Rubber washer

Max Bench Thickness: 42mm

Installation Hole Diameter: Minimum: 32mm
 Maximum: 36mm

Cartridge: Kerox 35mm Flat base

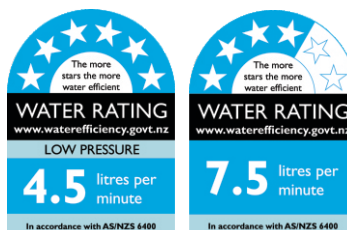
Flow Control: 7l/min PCA supplied for regulated flow with mains pressure system
 Max hot @ 35kPa = 4.5 l/min

Continued on second page

Note: 2 year warranty on coloured finish

Suitable for low/unequal & mains pressure systems

Recommended Operational Pressure Range: 35 - 600 kPa
 Maximum Operating Temp: 80°C Never to Exceed: 1000 kPa



aquatica



AQUATICA NZ LTD.

ASSEMBLING & TESTING IN
 NEW ZEALAND SINCE 1999

AUCKLAND

9 Saunders Place, Avondale
 PO Box 19146, Avondale
 Auckland 1746
 Email: info@aquatica.co.nz
 Telephone: 09-828 2068

CHRISTCHURCH

11 Brisbane Street,
 Christchurch 8062
 Telephone: 03-3846245



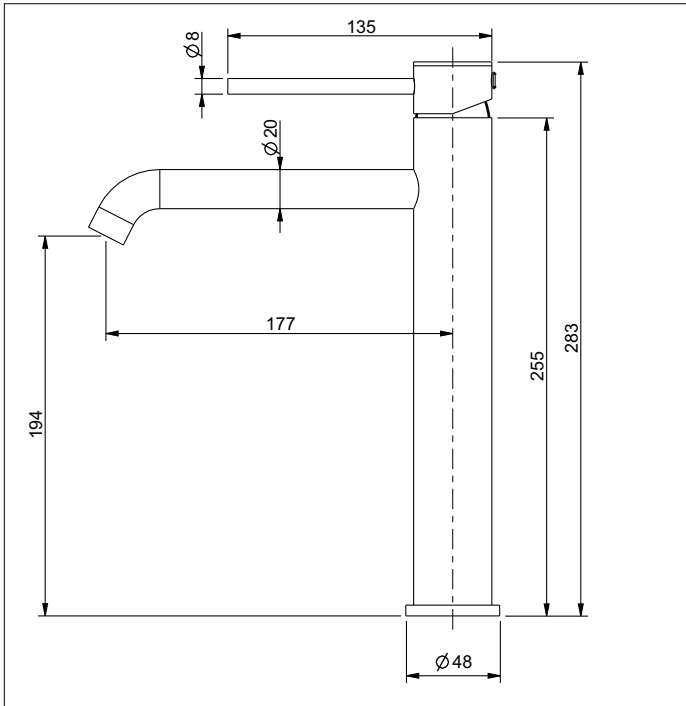
For our full list of
 available products
 visit our website
 @www.aquatica.co.nz
 or scan the QR code.

© copyright Aquatica 2024

Please note: Specifications are subject to change without notice. It is the responsibility of the installer to check the measurements of the physical product before installation.

Circo

Vessel Mixer All Pressure



Finish/Material Specifications:

- Body and Handle are Made from 100% solid stainless steel (Lead free)
- (M) Mirror finish is achieved through polishing the stainless to a mirror-like shine.
- Black finish is electroplated
- The Gun Metal and Brushed Gold finish are PVD (Physical Vapour Desposition)



AQUATICA NZ LTD.

ASSEMBLING & TESTING IN
NEW ZEALAND SINCE 1999

AUCKLAND

9 Saunders Place, Avondale
PO Box 19146, Avondale
Auckland 1746
Email: info@aquatica.co.nz
Telephone: 09-828 2068

CHRISTCHURCH

11 Brisbane Street,
Christchurch 8062
Telephone: 03-3846245



For our full list of
available products
visit our website
[@www.aquatica.co.nz](http://www.aquatica.co.nz)
or scan the QR code.

Note: 2 year warranty on coloured finish

Suitable for low/unequal & mains pressure systems

Recommended Operational Pressure Range: 35 - 600 kPa
Maximum Operating Temp: 80°C Never to Exceed: 1000 kPa



Please note: Specifications are subject to change without notice. It is the responsibility of the installer to check the measurements of the physical product before installation.