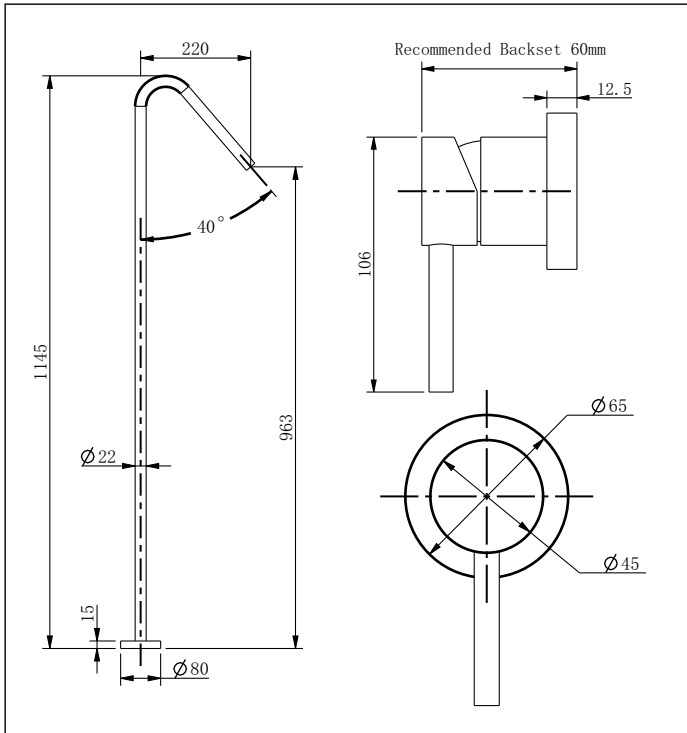


Circo

Bath Filler with Shower Mixer



aquatica



Code: CC BATHFILLER SHM BS | CC BATHFILLER SHM GM | CC BATHFILLER SHM BG | CC BATHFILLER SHM BLK | CC BATHFILLER SHM M
Finish: Brushed stainless | Gun Metal | Brushed Gold | Black | Mirror Finish

Bathfiller:

Water Outlet: M22 Ring with Aerator

Water Inlet: 1/2" BSP male

Mounting hardware: 1/2" BSP male Stainless steel spigot with M5 Locking screw

Installation Hole: Minimum: 24mm Ø

Installation Recommendation: Female 1/2" BSP connection should be flush with the finished floor level
 Spigot screws into female 1/2" BSP connection from floor. Spout with mounting plate pushes onto spigot
 Spout locks onto spigot with M5 locking screw. Mounting plate fixed to floor (3 Holes). Fit cover plate.

Cover Plate: 80mm diameter x 15mm thick

Reach: 220mm

Height: 1145 (963mm at Aerator)

Finish/Material Specifications:

- Bath Spout, Shower Mixer Body and Handle are Made from 100% stainless steel (Lead free)
- (M) Mirror finish is achieved through polishing the stainless to a mirror-like shine.
- Black finish is electroplated
- The Gun Metal and Brushed Gold finish are PVD (Physical Vapour Desposition)

Continued on second page

Note: 2 year warranty on coloured finish

Suitable for mains pressure only

Recommended Operational Pressure Range: 150 - 600 kPa
 Maximum Operating Temp: 80°C Never to Exceed: 1000 kPa

No WELS rating required

KIWI OWNED COMPANY

NZ • DESIGNED
 • ASSEMBLED
 • TESTED

Aquatica NZ Limited

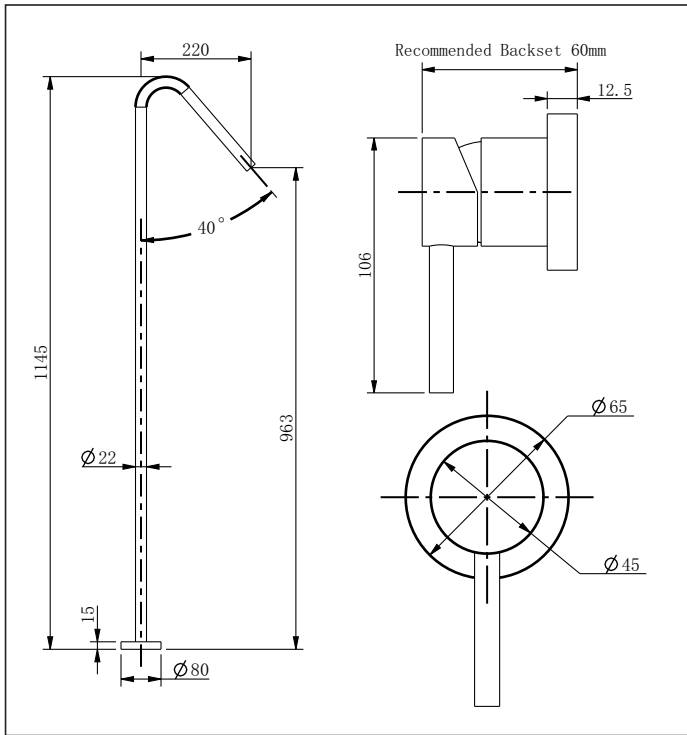
9 Saunders Place,
 Avondale, Auckland.
 Tel: 09-828 2068,
 Fax: 09-828 2069
 Email: info@aquatica.co.nz
 or visit our website:
www.aquatica.co.nz

© copyright Aquatica 2019

Please note: Specifications are subject to change without notice. It is the responsibility of the installer to check the measurements of the physical product before installation

Circo

Bath Filler with Shower Mixer



Shower Mixer:

Shower Mixer Faceplate: 65mm diameter x 12.5mm thick

Backset: (Mounting board to front of lining) Minimum: 40mm
Maximum: 65mm

Installation Hole Diameter: Minimum: 42mm
Maximum: 50mm

Inlets: 1/2" BSP female

Outlet: 1/2" BSP female

Cartridge: Mondo 35K Flat base

Max Hot @ 35kPa = 7.2 l/min

Note: 2 year warranty on coloured finish

Suitable for mains pressure only

Recommended Operational Pressure Range: 150 - 600 kPa
Maximum Operating Temp: 80°C Never to Exceed: 1000 kPa

No WELS rating required

aquatica



KIWI OWNED COMPANY

NZ • DESIGNED
• ASSEMBLED
• TESTED

Aquatica NZ Limited

9 Saunders Place,
Avondale, Auckland.
Tel: 09-828 2068,
Fax: 09-828 2069
Email: info@aquatica.co.nz
or visit our website:
www.aquatica.co.nz

© copyright Aquatica 2019

Please note: Specifications are subject to change without notice. It is the responsibility of the installer to check the measurements of the physical product before installation