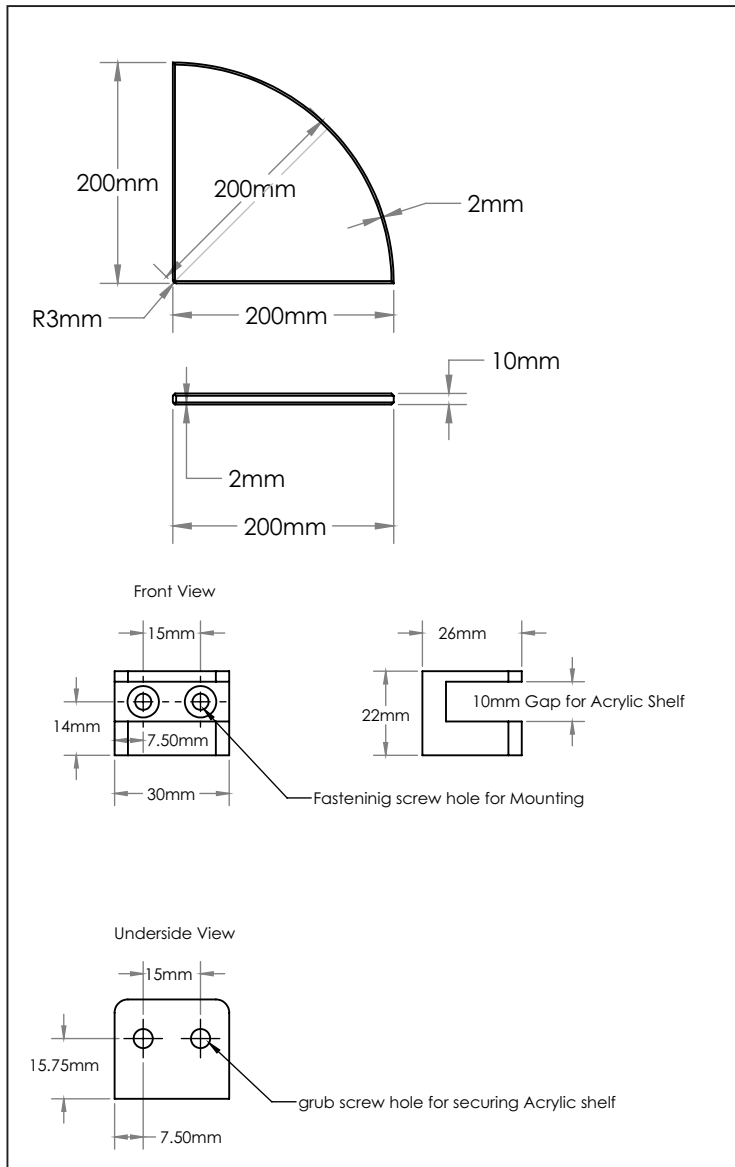


# Shower Accessories

## Corner Shelf



aquatica



**Code:** AQ SHELF SHOWERS

**Finish:** Chrome

**Code:** AQ SHELF SHOWERS BG

**Finish:** Brushed Gold

**AQ SHELF SHOWERS BLK**

Black

**AQ SHELF SHOWERS BN**

Brushed Nickel

**AQ SHELF SHOWERS GM**

Gun-metal

**Body:** Shelf: Acrylic    Bracket: Brass

**Mounting:** Method 1) Fasten the supplied bracket to the wall with the supplied fixing screws/rawl plugs.

Method 2) Silicone the Acrylic shelf along the corner edges and push into shower corner  
Ensure the shelf is held in place until shelf is secured.

**Note:** We recommend the use of a level when securing the shelf position.

**Shelf Size:** 200mm x 200mm with 200mm radius

**Bracket Size:** 30mm (width) x 26mm (depth) x 22mm (height)

**2 year warranty**

KIWI OWNED COMPANY

**NZ** • DESIGNED  
• ASSEMBLED  
• TESTED

**Aquatica NZ Limited**

9 Saunders Place,  
Avondale, Auckland.  
Tel: 09-828 2068,  
Fax: 09-828 2069  
Email: [info@aquatica.co.nz](mailto:info@aquatica.co.nz)  
or visit our website:  
[www.aquatica.co.nz](http://www.aquatica.co.nz)

© copyright Aquatica 2019