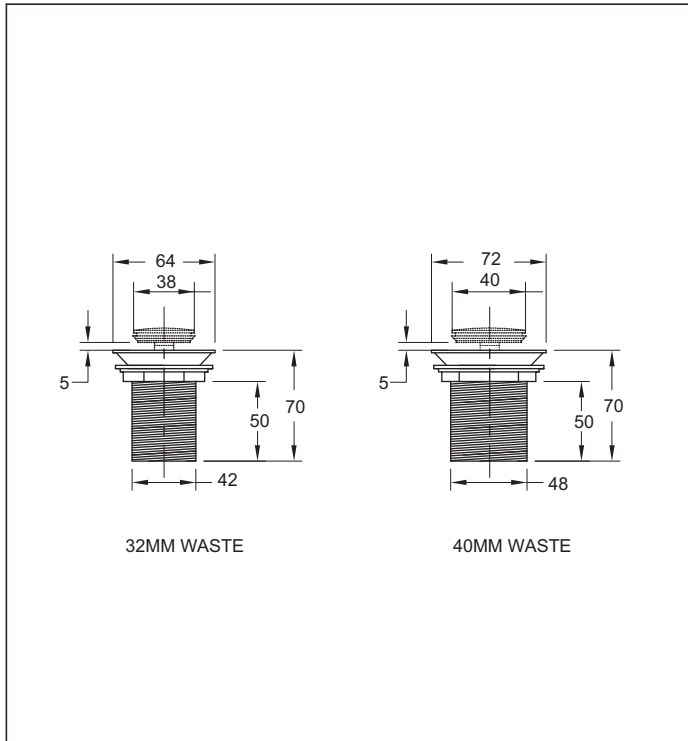


Kmercial

Springloaded Plug and Waste



Code: **KM BWP32SL**

KM BWP32SL BN

KM BWP32SL GM

KM BWP32SL BLK

Finish: Chrome

Brushed Nickel

Chrome

Black

32mm Spring Loaded



KIWI OWNED COMPANY

NZ • DESIGNED
• ASSEMBLED
• TESTED

Aquatica NZ Limited

9 Saunders Place,
Avondale, Auckland.
Tel: 09-828 2068,
Fax: 09-828 2069
Email: info@aquatica.co.nz
or visit our website:
www.aquatica.co.nz

© copyright Aquatica 2019

Note: 2 year warranty on coloured finish

Please note: Specifications are subject to change without notice. It is the responsibility of the installer to check the measurements of the physical product before installation