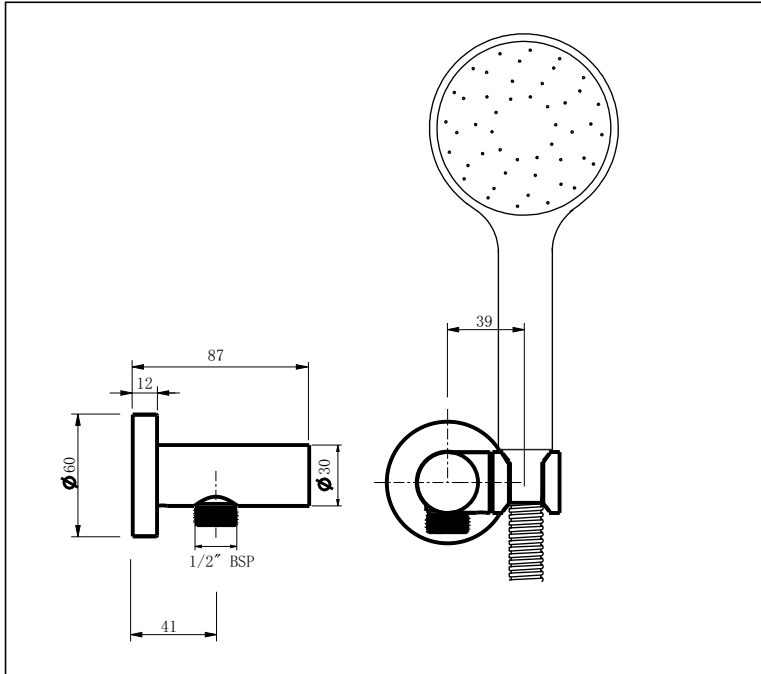


Circo

Wall Elbow and Shower Holder Combined with Single Spray Shower Head and Hose



Code: CC SSH HOLDER BS | CC SSH HOLDER GM | CC SSH HOLDER BLK | CC SSH HOLDER BG | CC SSH HOLDER M
Finish: Brushed Stainless | Gun Metal | Black | Brushed Gold | Mirror Finish

Inlet: 1/2" BSP Male Spigot

Water Outlet: 1/2" BSP male

Installation Hole Diameter: Minimum: 22mm
 Maximum: 30mm

Cover Plate: 60mm diameter x 12mm

Mounting: Fit threaded spigot into female wing back in wall. Slide spout on and lock with grub screws

Shower Head: Single spray
 Spray pattern: @ head = Round 80mm ø
 @ 1/2m = Round 220mm ø

Spray Hose Construction: Metal: Coloured
 Wide Bore Hose
 Length: 1.5m
 Swivel Fitting

Flow Control: PCW9 Supplied for mains pressure systems. To achieve the WELS rating below, the restrictor must be installed for both mains and low pressure situations. without restrictor the head can deliver 15l/min on low pressure.

Finish/Material Specifications:

- Holder Body made from 100% solid stainless steel (Lead free)
- (M) Mirror finish is achieved through polishing the stainless to a mirror-like shine.
- Black finish is electroplated
- The Gun Metal and Brushed Gold finish are PVD (Physical Vapour Desposition)

Note: 2 year warranty on coloured finish

Suitable for low/unequal & mains pressure systems

Recommended Operational Pressure Range: 35 - 600 kPa
 Maximum Operating Temp: 80°C Never to Exceed: 1000 kPa



KIWI OWNED COMPANY



Aquatica NZ Limited

9 Saunders Place,
 Avondale, Auckland.
 Tel: 09-828 2068,
 Fax: 09-828 2069
 Email: info@aquatica.co.nz
 or visit our website:
www.aquatika.co.nz

© copyright Aquatica 2019