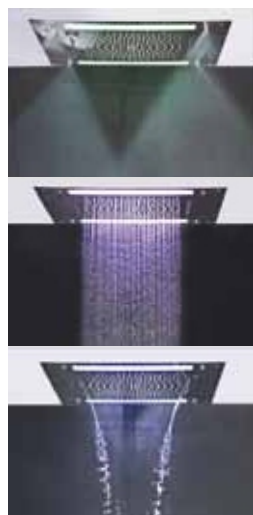
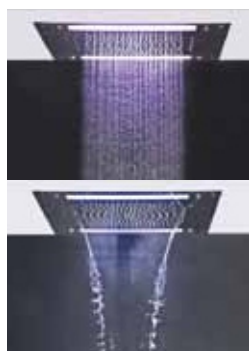


Multi Port Shower System

Multi Port Shower System with a multi coloured LED light panel. You can select a single colour or a light show using the remote control. Comes with an overhead shower with up to 3 spray options, and body jets for that luxurious shower.



MULTI CM MISTER
MULTI CEILING MOUNT SHOWER HEAD WITH MISTERS



MULTI CM STD
MULTI CEILING MOUNT SHOWER HEAD STANDARD



MULTI BODY JET
MULTI SYSTEM BODY JET



REMOTE INCLUDED

Multi function shower system with a multi coloured LED light panel. You can select a single colour or a light show using the remote control. Comes with an overhead shower with up to 3 spray options, and body jets for that luxurious shower.

Note: Don't leave remote in shower remote is not 100% water proof and batteries may corrode



MULTI SHM3 SQUARE
MULTI PORT SYSTEM 3 + 1 WITH SQUARE HANDLES

MULTI SHM4 SQUARE
MULTI PORT SYSTEM 4 + 1 WITH SQUARE HANDLES

MULTI SHM5 SQUARE
MULTI PORT SYSTEM 5 + 1 WITH SQUARE HANDLES



MULTI SHM3 SQUARE
MULTI PORT SYSTEM 3 + 1 WITH SQUARE HANDLES

MULTI SHM4 SQUARE
MULTI PORT SYSTEM 4 + 1 WITH SQUARE HANDLES

MULTI SHM5 SQUARE
MULTI PORT SYSTEM 5 + 1 WITH SQUARE HANDLES

Multiport System Installation Guide

Multi-System is available as a mixer with 3, 4 or 5 individually controlled outlets with the option of round or square knobs.

Faceplate Lengths:

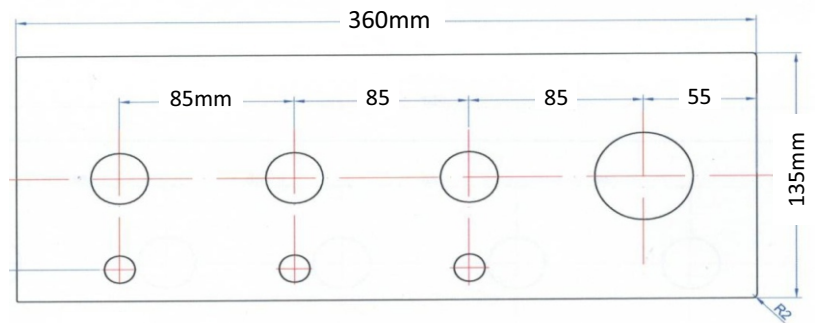
Mixer + 3 outlets = 360mm

Mixer + 4 outlets = 445mm

Mixer + 5 outlets = 530mm

Faceplate width is 135mm for all models.

The Multi-System can be surface mounted or screwed to a back board.



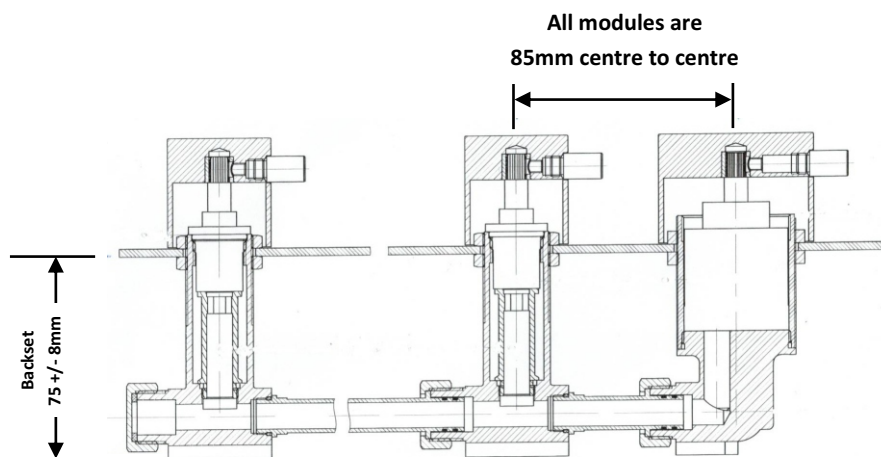
FACEPLATE

Surface Mount

Can be mounted to any flat surface up to a thickness of 13mm.

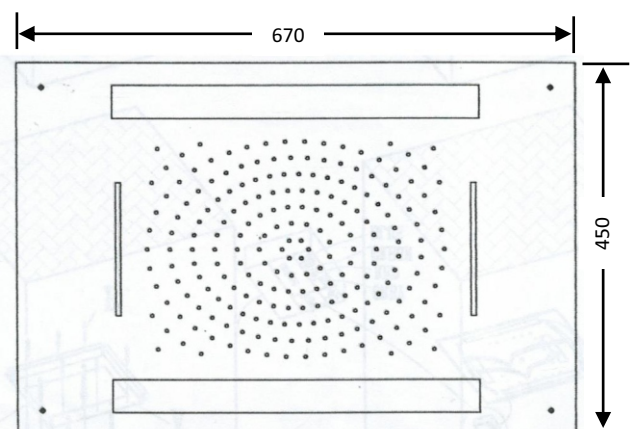
Back Board Mounting

The mounting board needs to be set back 75 +/- 8mm from the outer surface of the shower lining. The mixer body height is raised by screwing down the wingback grub screws and locked in place by the wood screws through the opposite corners.



Rainhead Installation (See photos over Figs. 1 - 4)

1. Frame ceiling for a 635 x 415mm space (Fig 1).
2. Line ceiling and cut 635 by 415mm hole.
3. Fit rainhead frame (six screws into wood framing) Fig 2).
4. Fit rainhead swing arms to rainhead frame so that rainhead hangs vertically down (Fig. 3).
5. Registered plumber and registered electrician can now connect fittings.
6. Test.
7. After testing ok, screw rainhead to rainhead frame (6 machine screws).



Note: When installed, the rainhead will float below the ceiling by the thickness of the frame ie. approx. 2mm



Fig 1



Fig 2



Fig 3

Note: Ceiling unit rain head held by either solid arms or chains.



Fig 4

Multiport System Body Jet

Installation

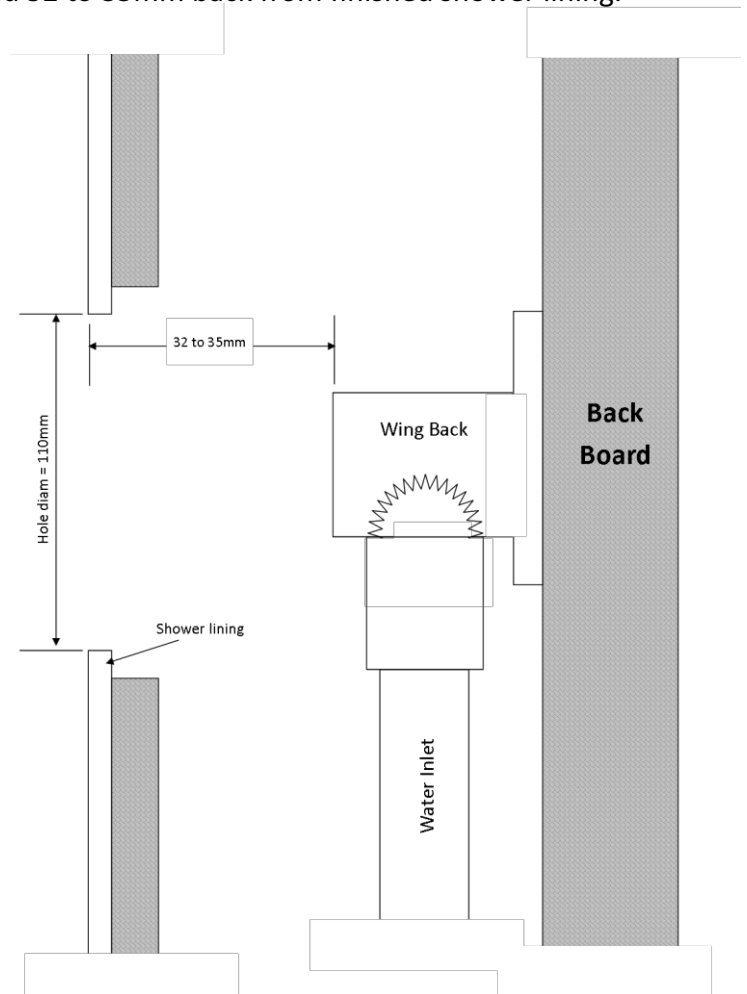
Wingback (female) needs to be installed 32 to 35mm back from finished shower lining.

RV6 is fitted into spigot
Screw spigot into wingback to correct depth – 30mm from groove in spigot to finished face of shower lining.
(Seal threads using an approved method).

Fit face plate and screw in place
(can test fit head without face plate).

Ensure circlip assembly is screwed on to head.

Head can now be pressed onto spigot and will lock in place with circlip.
(Finished face of head should be ~5mm proud of faceplate).



Body Jet Removal

Tilt body jet to max and find the notch in the edge of the body jet head.

Use a 2mm Allen key or small screwdriver to pass through notch to engage with one of the 4 holes in stem of body jet.

Turning 90 degrees will disengage circlip and head can now be pulled off from spigot.

If the circlip does not disengage, just continue to turn and head will screw off.