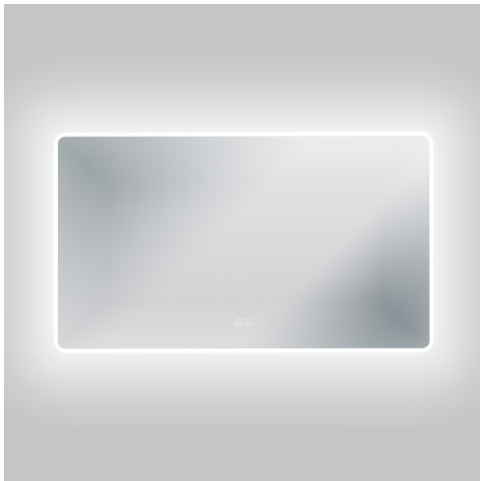
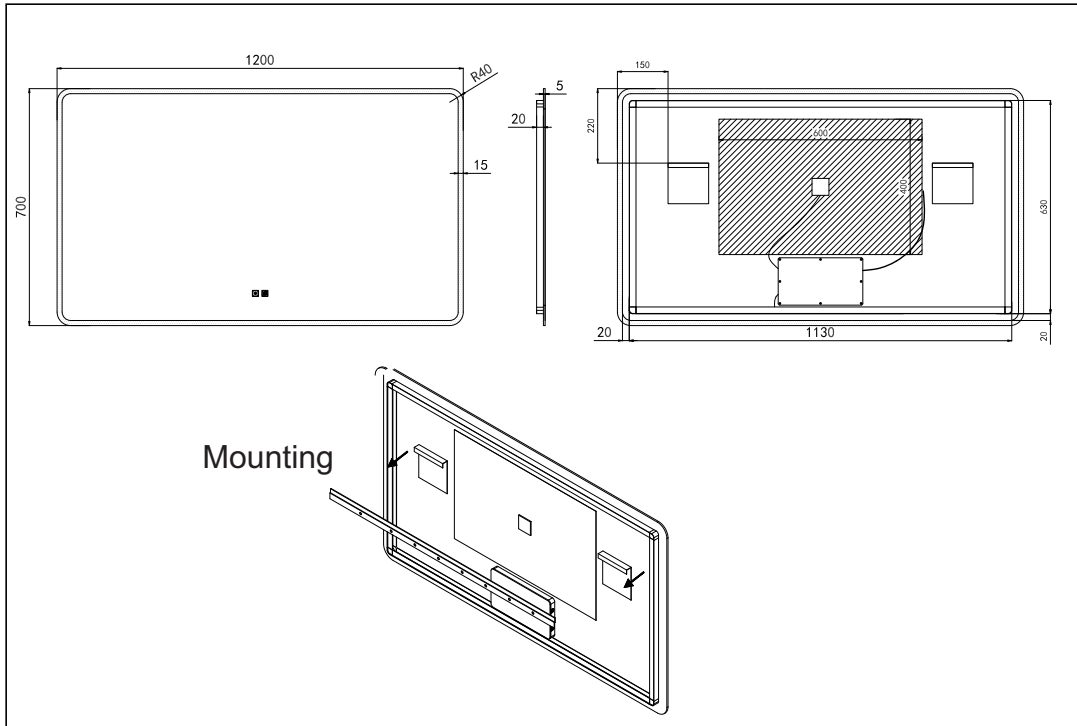


# Led Mirror

## 1200 Rectangle V2



**Code: MIRROR LED 1200 V2**

**Key Features:** Mirror with built-in LED & demister function

**Shape:** Rectangular

**Size:** 1200mm (L) x 700mm (H) x 25mm (T)

**Light Control Options:** Cool / Warm light

**Switch Type:** Touch sensor for light and demister control

**Power Requirement:** 230V AC

**Installation:** Screw mounting rail to wall, clip mirror onto rail

**Note:** Electrical connection from mirror to 230V is a terminal block. Must be hard wired by electrician.

**Warranty: 2 years**

aquatica



**KIWI OWNED COMPANY**

**NZ** • DESIGNED  
• ASSEMBLED  
• TESTED

**Aquatica NZ Limited**

9 Saunders Place,  
Avondale, Auckland.  
Tel: 09-828 2068,  
Fax: 09-828 2069  
Email: [info@aquatica.co.nz](mailto:info@aquatica.co.nz)  
or visit our website:  
[www.aquatica.co.nz](http://www.aquatica.co.nz)

© copyright Aquatica 2019