

INSTALLATION INSTRUCTIONS CARE & MAINTENANCE

progetto

OASIS BATHS | OA165B | OA180B



Distributed by:

Plumblīne

T 04 568 9898 E sales@plumblīne.co.nz

www.plumblīne.co.nz

Oasis Baths

A curated palette of eight colours infuse the Plumblin Oasis Baths with their distinctive style. Meticulously designed for Aotearoa New Zealand, these coloured baths feature a matt finish. In your bathroom their allure is unmistakable. While these baths are durable and robust, like all bathroomware it is still important that they are cared for and maintained in order to keep them looking new for years to come.

Cleaning

For general day-to-day cleaning of the bath, we recommend applying warm soapy water with a microfibre cloth, this will help prevent calcium build up and limescale.

To remove harsh marking such as limescale and calcium build up, CLR, white vinegar, bleach or turpentine can be used to remove this. Avoid using acetone and highly acidic or citrus based products.

Other Notes

- Avoid using bath salts and oils.
- Do not allow water temperature to exceed 55°C.

Repair Kits

In the case that the bath gets a chip, repair kits are available upon request.

The below voids warranty:

- Damage caused by accident, misuse, alterations, modifications, improper handling, or abuse.
- Installation, care, maintenance, and cleaning not in accordance with suggested procedures or guidelines

Warranty Information

Please refer to the warranties page on our website

<https://plumblin.co.nz/warranty-information>

IMPORTANT NOTE: Avoid tiling over the bath or tiling it in, this voids warranty.



IMPORTANT!

Please read these instructions **prior** to installation

Installation Notes

Prior to installing the bath, inspect it closely to ensure it has not been damaged in transport.

Store the bath in a safe place until you begin installation.

Installation should be carried out by a qualified, licensed tradesperson.

During the installation process avoid leaving tools in the bath.

These installation instructions do not include details of the waste and trap connection; decisions and installation of the waste and trap connection should be carried out by a qualified, licensed tradesperson.

WASTE & TRAP

IMPORTANT - ENSURE THERE IS A SUFFICIENT SPACE UNDER THE CHOSEN BATH FOR THE WASTE AND TRAP, A CAVITY IN THE FLOOR MAY BE REQUIRED.

The illustrations in this guide show installation using a low profile trap and a top fix pop up waste. The below trap is recommended for ease of installation.

Plumbline Low Profile Bath Trap

AS078K

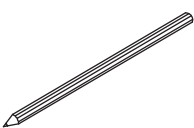


Oasis Top Fix Pop Up Bath Waste

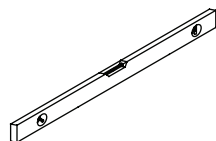
OABAT



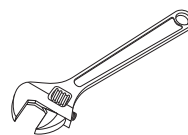
Tools Required For Installation



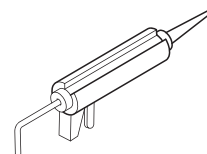
Pencil



Level

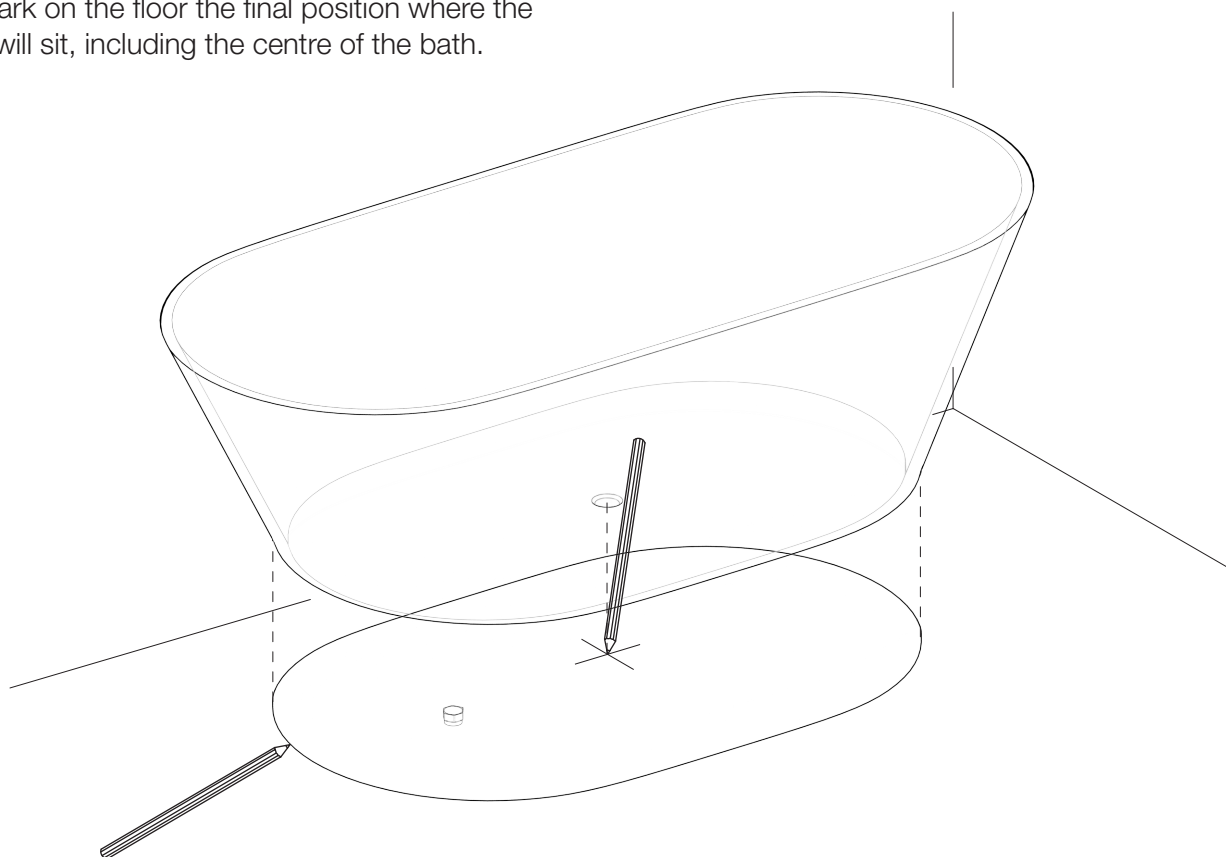


Adjustable Wrench



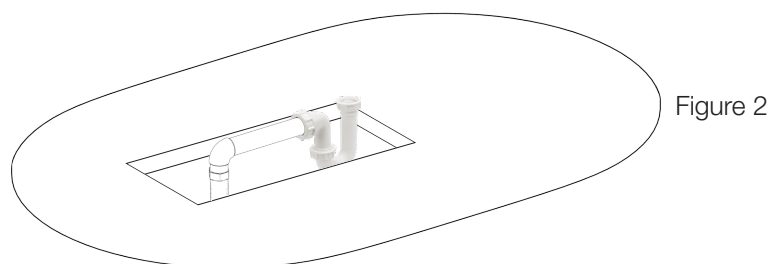
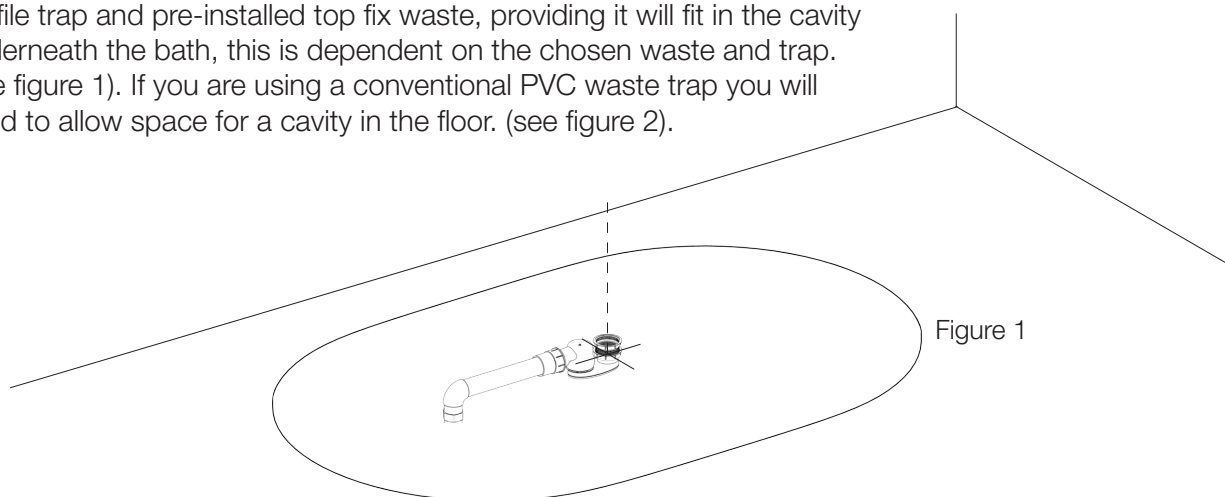
Caulking Gun/Silicone

1 - Mark on the floor the final position where the bath will sit, including the centre of the bath.



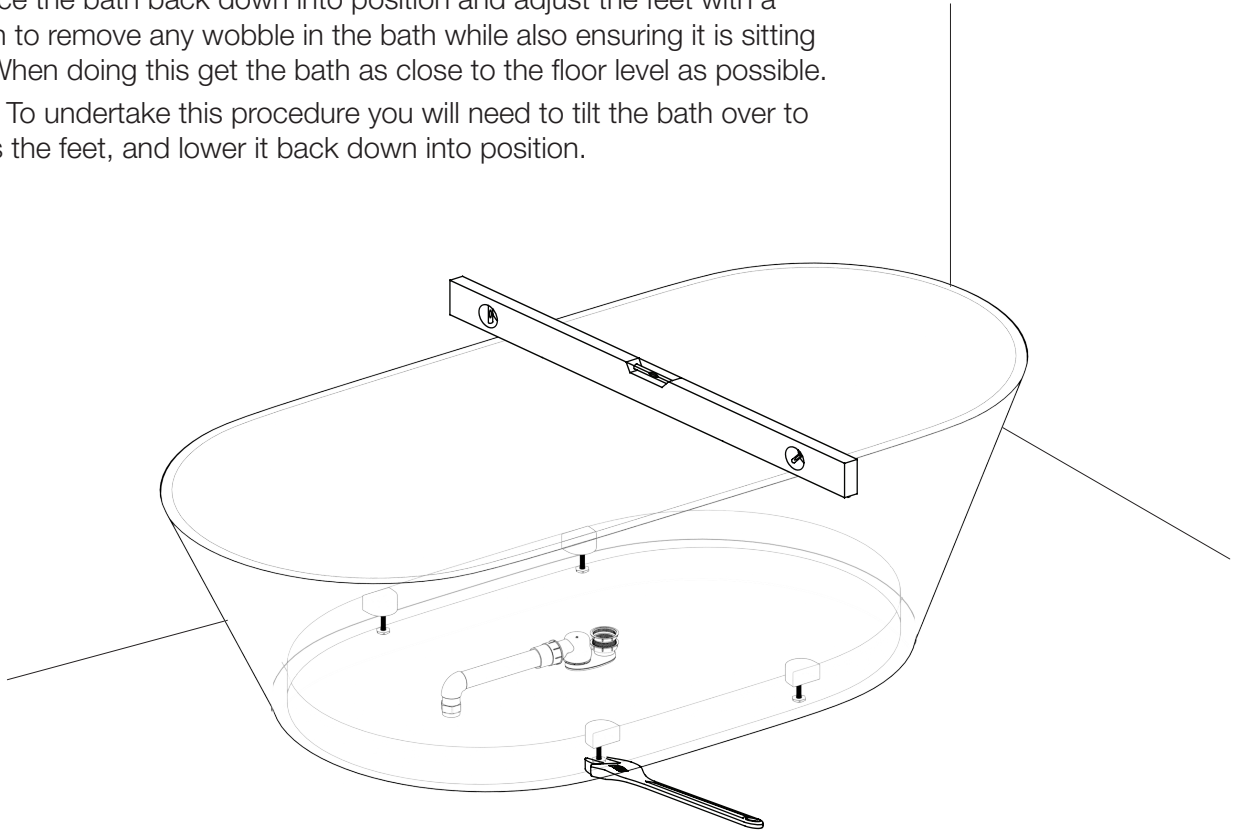
2 - Remove the bath then connect the trap and waste in position.

Note: The illustrations in this guide show the installation using a low profile trap and pre-installed top fix waste, providing it will fit in the cavity underneath the bath, this is dependent on the chosen waste and trap. (see figure 1). If you are using a conventional PVC waste trap you will need to allow space for a cavity in the floor. (see figure 2).

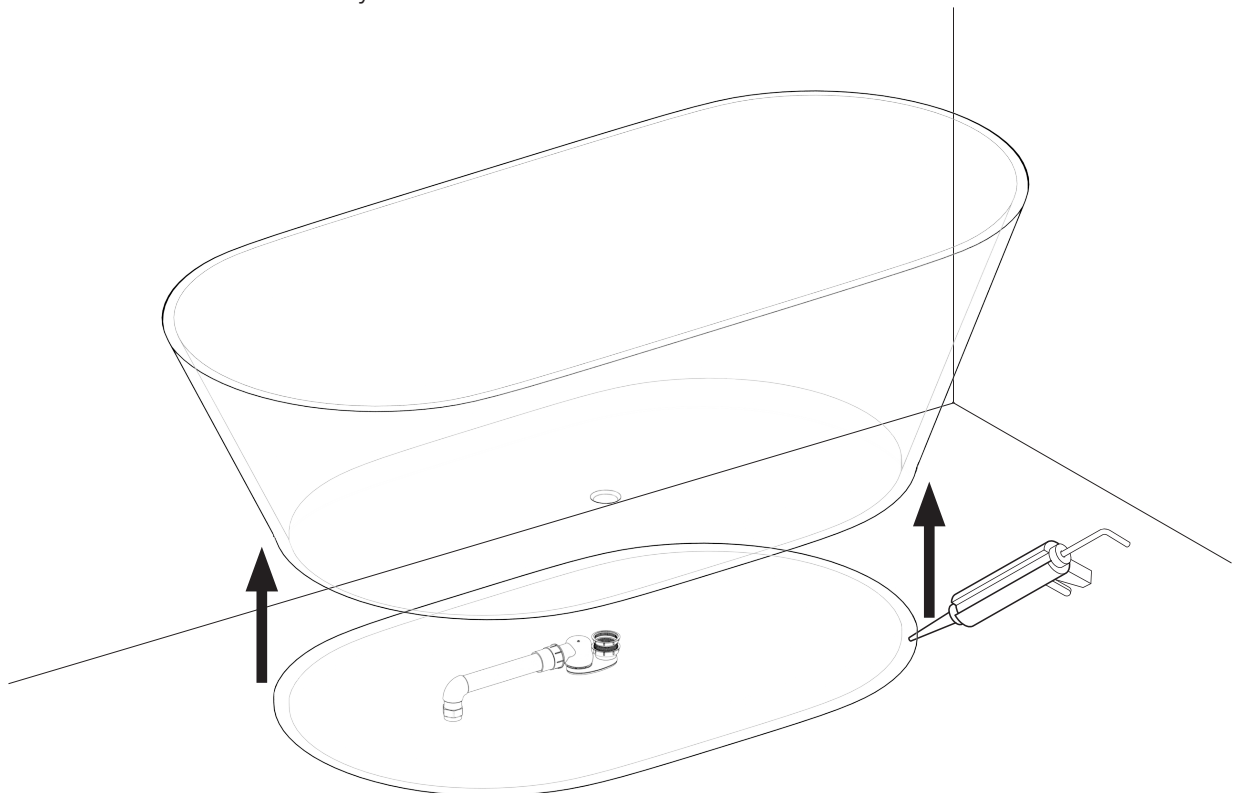


3 - Place the bath back down into position and adjust the feet with a wrench to remove any wobble in the bath while also ensuring it is sitting level. When doing this get the bath as close to the floor level as possible.

Note - To undertake this procedure you will need to tilt the bath over to access the feet, and lower it back down into position.



4 - Remove the bath again, then apply a thick bead of silicone to the footprint of where the bath will finally sit.



5 - Finally, fasten the waste in place and test the bath for performance.

