

## 3-SIDED

Introducing the Raymor Essentials shower unit. An all-new affordable range, designed with Kiwi families in mind. With 1900mm high reversible door screens, the Essentials shower is available in 2-sided, 3-sided (alcove) and curved configurations, meaning there is an option for every bathroom. The shower boasts a sturdy white frame with chrome handles and hinges for an extra touch of style.

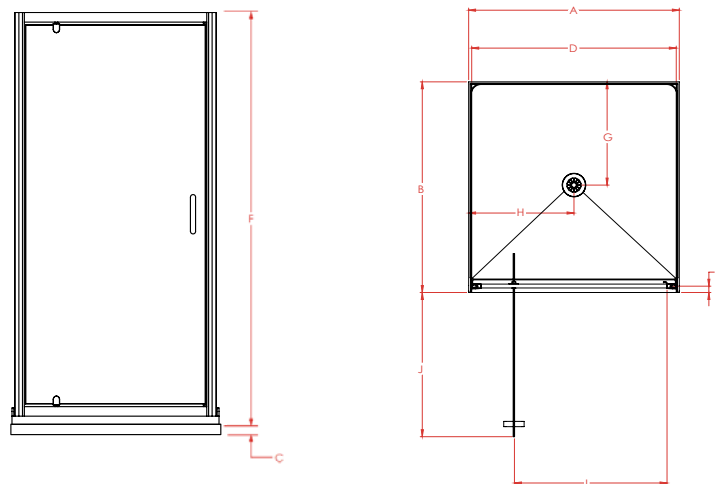
900mm Flat Liner White **SKU: 828282**

### Features & Benefits

- Curved & Square Options
- 1900mm Screen Height
- European Wall Liner
- White Frame with Chrome Handle & Hinges
- Reversible Door Screens
- 5 Year Warranty
- Waste and glues will need to be purchased separately.  
Codes: Waste (Chrome): (7) 717918, (White) L7683.WH,  
Glue: MAX-BOND 320GMS



## SPECIFICATIONS



DOOR x RETURN	TRAY				DOOR SET*			WASTE		OPENING DOOR	
	A	B	C	D (± 12)	E	F	G	H	I	J	
900x900mm	900	900	65	883	30	1900	450	450	670	645	