

PRODUCT SPECIFICATIONS

# PACIFIC 1200 DOUBLE DWR FLOOR VANITY



## PRODUCT CODES & FINISHES



4PAC120DF01  
White Melamine



4PAC120DF23  
Baroque



4PAC120DF93  
Charred Oak

## CABINET

INSTALLATION	Floor standing
CONFIGURATION	2 soft-close drawers
MATERIAL	Moisture resistant board
WIDTH (mm)	1190
DEPTH (mm)	445
HEIGHT (mm)	788
ORIGIN	Aotearoa / New Zealand

## VANITY TOP

FINISH	Gloss White
MATERIAL	Vitreous China
TAP HOLE	Yes
OVERFLOW	Yes
WASTE SIZE	Suits 32mm and 40mm waste traps
WASTE INCLUDED	No
WIDTH (mm)	1200
DEPTH (mm)	460
ORIGIN	PRC

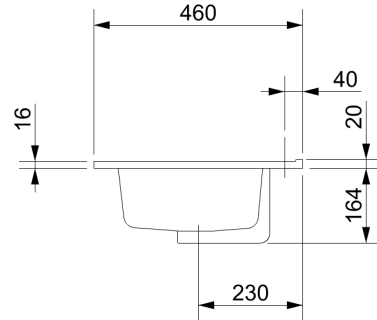
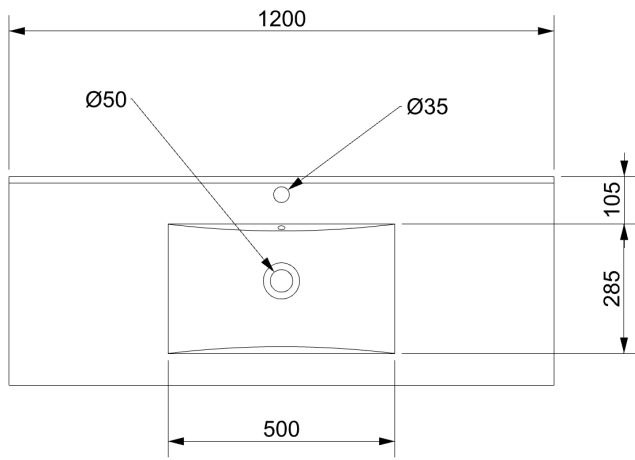
## NOTES

- 5 year warranty \*
- Cabinets made from moisture resistant board with PUR bonding technology are sustainably sourced from FSC certified NZ Radiata Pine.
- Included - Brushed Nickel handle(s).
- Optional - Pop-up Waste.\*\*

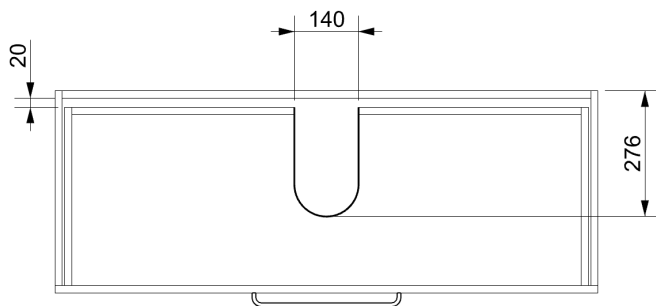
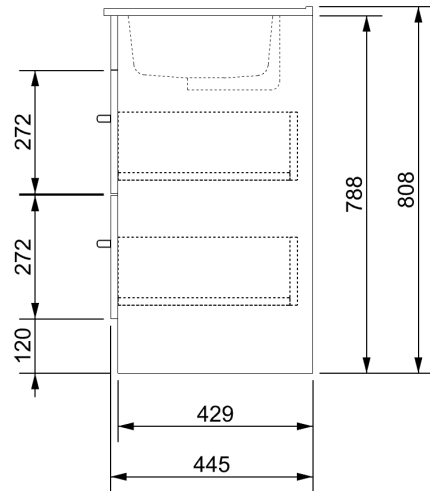
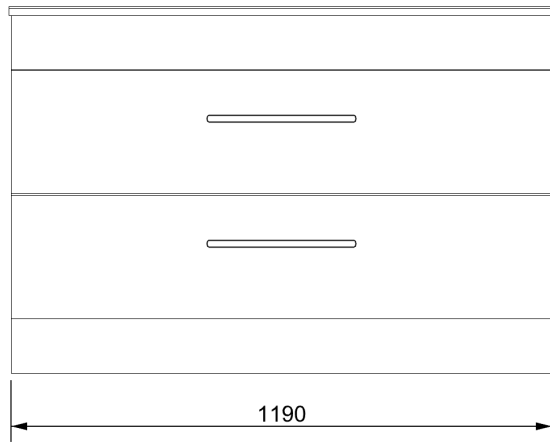
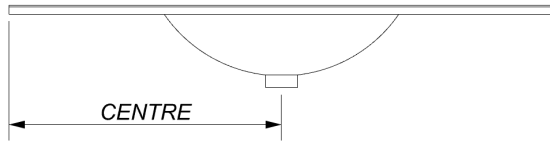
MAY 2024

ALL MEASUREMENTS ARE NOMINAL.  
\*WARRANTIES APPLY TO RESIDENTIAL DOMESTIC USE ONLY. WARRANTY IS VOID IF PRODUCT IS NOT INSTALLED ACCORDING TO OUR SPECIFICATIONS.  
\*\*REFER TO WEBSITE FOR FURTHER INFORMATION ON INSTALLATION GUIDE AND PRODUCT OPTIONS.  
CLEARLITE.CO.NZ

# PACIFIC 1200 DOUBLE DWR FLOOR VANITY



135 mm  
INTERNAL BASIN DEPTH



TOP & BOTTOM  
DRAWER

MAY 2024

ALL MEASUREMENTS ARE NOMINAL.  
\*WARRANTIES APPLY TO RESIDENTIAL DOMESTIC USE ONLY. WARRANTY IS VOID IF PRODUCT IS NOT INSTALLED ACCORDING TO OUR SPECIFICATIONS.  
\*\*REFER TO WEBSITE FOR FURTHER INFORMATION ON INSTALLATION GUIDE AND PRODUCT OPTIONS.  
CLEARLITE.CO.NZ