

PRODUCT SPECIFICATIONS

PACIFIC 1200 SINGLE DWR WALL VANITY



CABINET

INSTALLATION	Wall hung
CONFIGURATION	1 soft-close drawer
MATERIAL	Moisture resistant board
WIDTH (mm)	1190
DEPTH (mm)	445
HEIGHT (mm)	395
ORIGIN	Aotearoa / New Zealand

VANITY TOP

FINISH	Gloss White
MATERIAL	Vitreous China
TAP HOLE	Yes
OVERFLOW	Yes
WASTE SIZE	Suits 32mm and 40mm waste traps
WASTE INCLUDED	No
WIDTH (mm)	1200
DEPTH (mm)	460
ORIGIN	PRC

PRODUCT CODES & FINISHES



4PAC120SN01
White Melamine



4PAC120SN23
Baroque



4PAC120SN93
Charred Oak

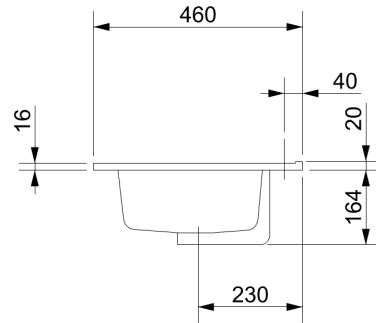
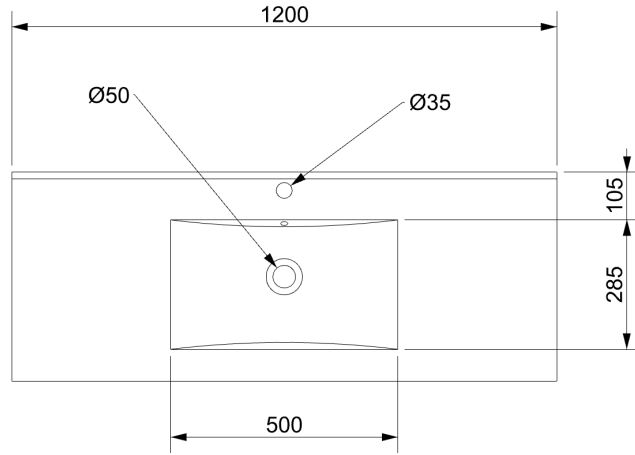
NOTES

- 5 year warranty *
- Cabinets made from moisture resistant board with PUR bonding technology are sustainably sourced from FSC certified NZ Radiata Pine.
- Included - Brushed Nickel handle(s).
- Optional - Pop-up Waste.**

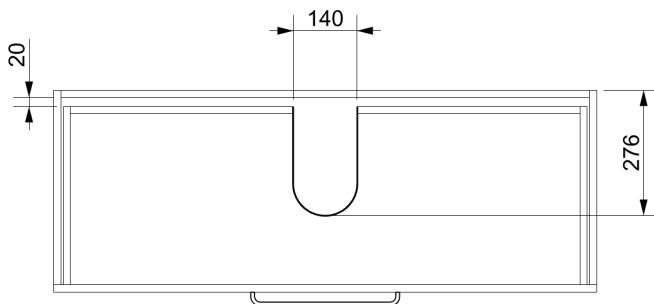
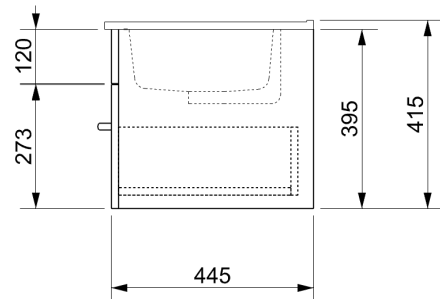
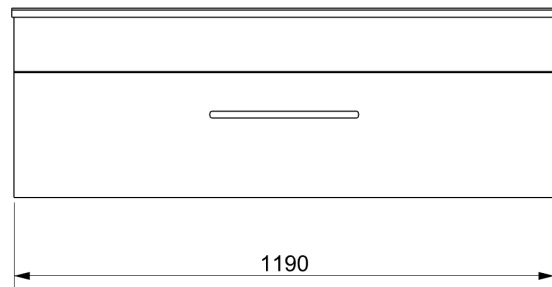
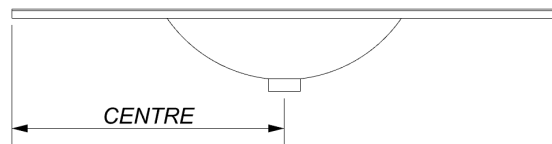
MAY 2024

ALL MEASUREMENTS ARE NOMINAL.
*WARRANTIES APPLY TO RESIDENTIAL DOMESTIC USE ONLY. WARRANTY IS VOID IF PRODUCT IS NOT INSTALLED ACCORDING TO OUR SPECIFICATIONS.
**REFER TO WEBSITE FOR FURTHER INFORMATION ON INSTALLATION GUIDE AND PRODUCT OPTIONS.
CLEARLITE.CO.NZ

PACIFIC 1200 SINGLE DWR WALL VANITY



135 mm
INTERNAL BASIN DEPTH



MAY 2024

ALL MEASUREMENTS ARE NOMINAL.
*WARRANTIES APPLY TO RESIDENTIAL DOMESTIC USE ONLY. WARRANTY IS VOID IF PRODUCT IS NOT INSTALLED ACCORDING TO OUR SPECIFICATIONS.
**REFER TO WEBSITE FOR FURTHER INFORMATION ON INSTALLATION GUIDE AND PRODUCT OPTIONS.
CLEARLITE.CO.NZ