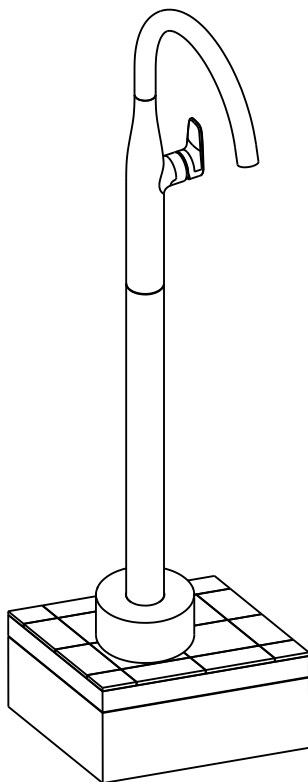


CONTURA II - FREESTANDING BATH FILLER

PLUMBERS INSTALLATION INSTRUCTIONS



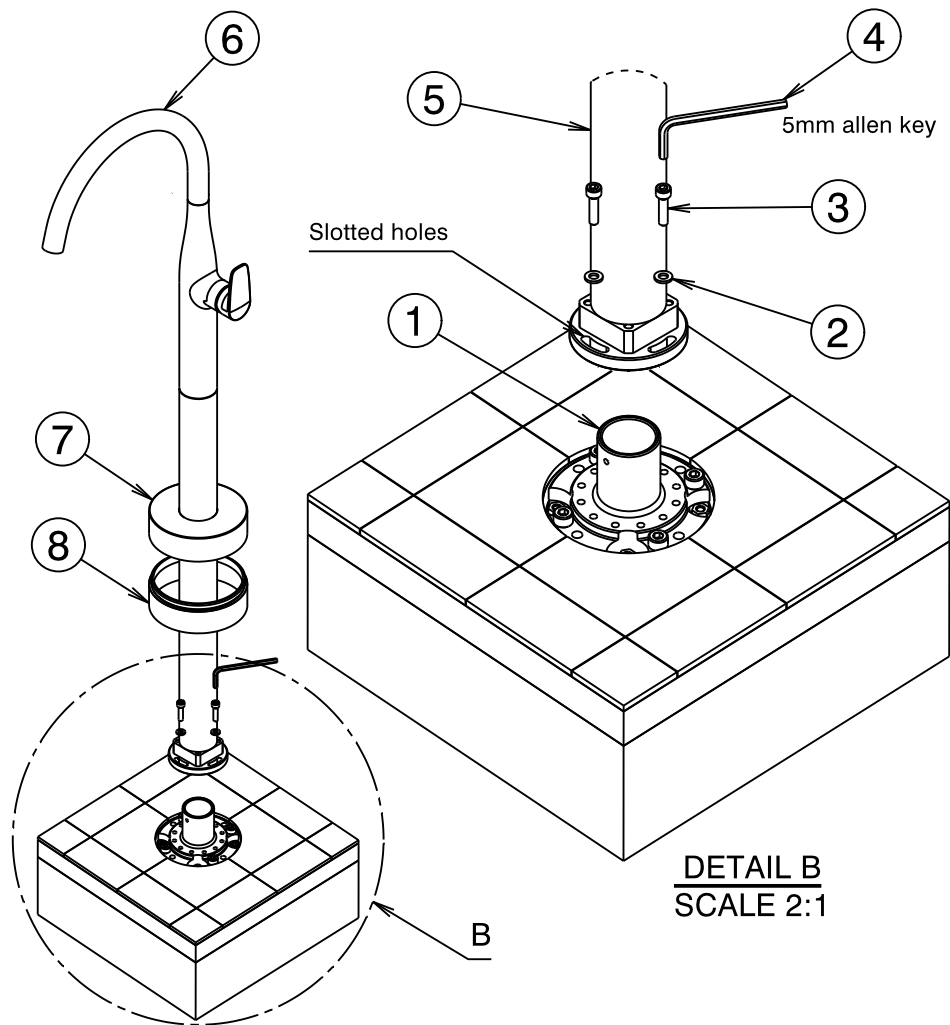
Important Information

- * Water Service Pipes must be installed in accordance with the requirements of AS/NZS 3500 and relevant building codes.
- * Water Service Pipes for connection to the Hot & Cold inlets of the Mixer must be DN15B BQ Copper Tube to AS 1432.
- * Brazed connections should NOT be made directly onto the mixer, as excessive heat will cause permanent damage.
- * All pipework must be thoroughly flushed prior to installation.
- * Fasteners used to anchor the base of the Mixer to the floor must be manufactured from stainless steel and are the responsibility of the installer as they are dependant on floor type.
- * It is recommended that stop taps be installed in a suitable location to isolate the hot and cold water supply pipes if required.

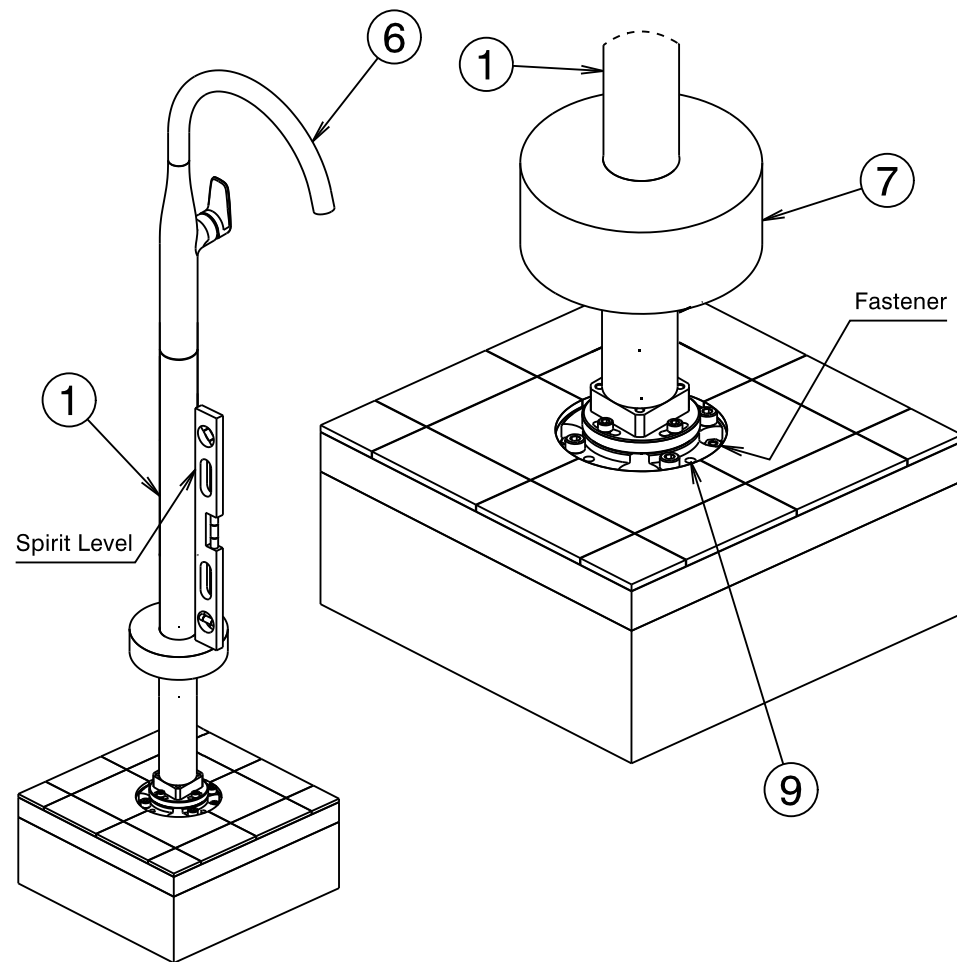
Special requirements

- * An installation template (2) is available (Product Code SP2138) and must be used to ensure correct installation.
The installation template has 2 functions:
 1. To accurately position the DN15B copper water pipes.
 2. To provide a cavity for the Mixer base when installing into new concrete slab.
Consideration must be given to the position of the installation template in relation to the waste pipe for connection to the bath.
- * A Waterproofing collar (3) is provided and must be fitted before fitting the membrane. For installations onto concrete slab, the waterproofing collar (3) can be discarded if the overall floor covering is 2mm or less.
The Waterproofing collar has 2 functions:
 1. To ensure waterproofing between floor tiles and concrete slab/floor sheeting.
 2. To act as a tiling guide.

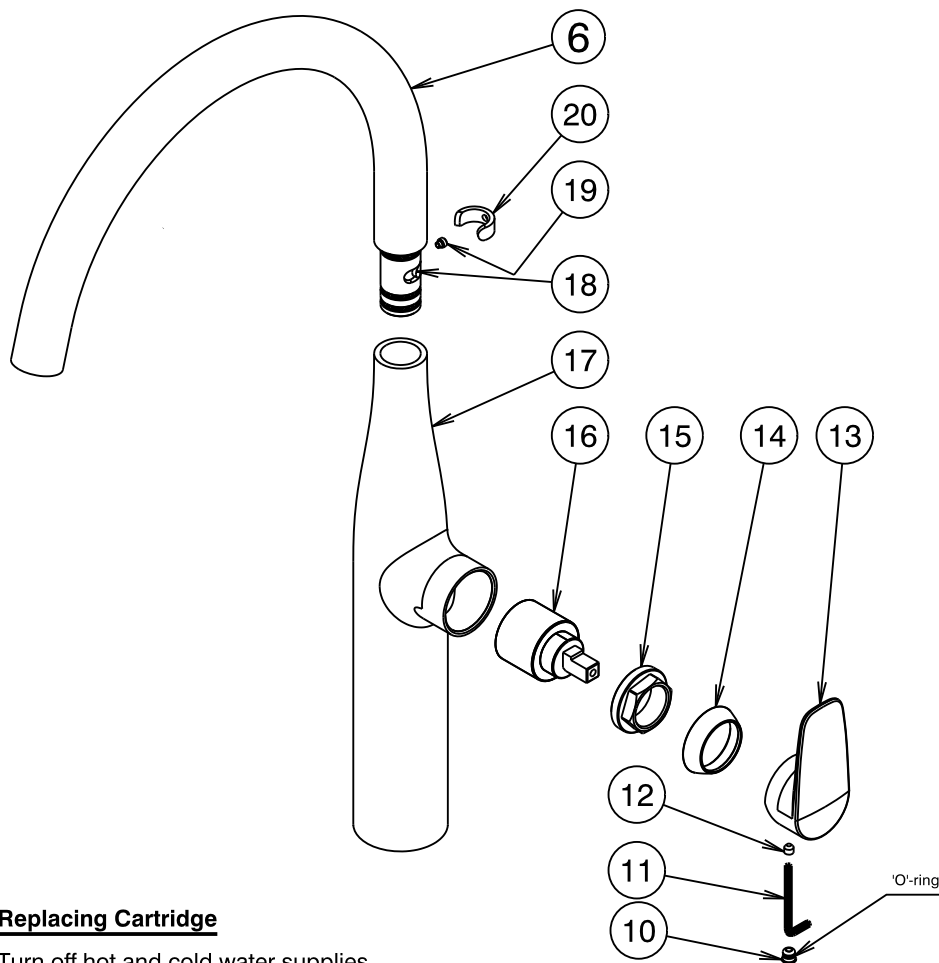
IMPORTANT
<u>Pressure & Temperature Requirements.</u> <ul style="list-style-type: none">• Hot and cold water inlet pressures should be equal.• Static inlet pressure range : 150 -1000 kPa New Regulation :-500 kPa maximum static pressure at any outlet within a building.(Ref. AS/NZS 3500.1)• Maximum hot water temperature : 80°C.
<u>Pipework Requirements</u> <ul style="list-style-type: none">• DN15B (Ø12.70 X 0.91) BQ Copper Tube to AS 1432
<u>Installation Requirements.</u> <ul style="list-style-type: none">• The installing plumber is responsible for waterproofing all penetrations for Taps on horizontal surfaces surrounding baths at installation by a proprietary flange system or a sealant. (Ref AS3740)



- 1) For sub-floor installations, the extension cover (8) is not required.
 For above floor installations, screw the extension cover (8) below the base cover (7). This mixer has a feature which allows the outlet (6) to be aligned with the bath prior to fixing to the base. Carefully slide the riser (5) onto the connector flange (1) until the base of the riser rests on the mating face of the connector flange (1). Rotate the mixer outlet (6) until the outlet is facing the desired direction in alignment with the final bath position then install the four screws (3) together with washers (2) into the threaded holes which are visible when looking into the slotted holes in the flange of the riser (5). Check the final position of the outlet (6) then tighten the screws (3) using the 5mm allen key (4) provided.
- Important:**
 - The screws (3) must be tightened firmly to prevent rotation of the mixer after installation.



- 2) The mixer is now fixed firmly to the floor, however further adjustment may be required if the mixer is not in vertical alignment. To test the vertical alignment of the mixer, place a spirit level on the cylinder of the riser (1) as shown. If adjustment is required, loosen the mounting fasteners as shown and gradually tighten jacking screws (9) against the spacing washer at the bottom as required using the 3mm allen key provided. (The riser will tilt away from the jacking screw being tightened). When vertical alignment of the riser (1) is achieved, tighten the mounting fasteners firmly to secure the mixer to the floor. Apply a suitable sealant to the bottom face of the base cover (7) then carefully slide the base cover (7) down until it contacts the floor surface. Wipe clean any excess sealant from the floor surface and the chrome surfaces of the base cover (7).
- Important:**
 - Only adjust the jacking screws (9) which are necessary to achieve vertical alignment, do not adjust screws more than necessary.



Replacing Cartridge

- 1) Turn off hot and cold water supplies.
- 2) Carefully remove plug (10) along with 'O'-ring before using a 2.5mm allen key (11) to loosen grub screw (12) and remove handle (13). Remove cap (14) taking care not to damage the decorative finish. Unscrew nut (15) then lift out old cartridge (16).
- 3) Ensure inside face of mixer body (17) is clean. Check that seals are in position in base of new cartridge (16), fit new cartridge (16) into mixer body (17), taking care that two lugs on base of cartridge (16) fit into mating holes in mixer body (17).
- 4) Screw on nut (15). **Important:** Nut (15) should be tightened to a torque of 10 Nm.
- 5) Replace cap (14), tightening by hand. Fit handle (13) taking care that it is pushed fully onto cartridge stem, then tighten grub screw (12) using 2.5mm allen key (11). Replace plug (10) taking care not to damage the decorative finish.
- 6) Turn on water supplies and check operation.

Convert swivel outlet to fixed outlet

- 1) Removed retaining screw using a 2.5mm allen key (11).
- 2) Carefully lift outlet (6) until swivel retainer (18) can be removed.
- 3) Fit fixed retainer (20) into groove at the outlet, then fit outlet (6) together with fixed retainer (20) into body (17) until outlet is completely seat onto body (17).
- 4) Rotate outlet (6) to adjust screw hole at fixed retainer to align with the hole at the back of body (17). Tighten retaining screw using 2.5mm allen key (11).