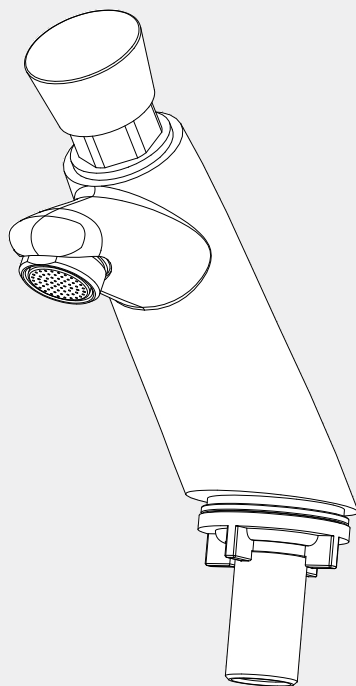


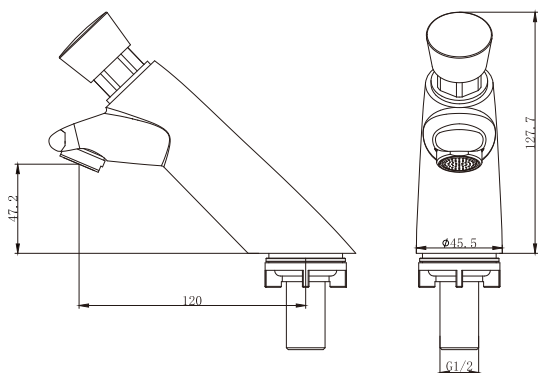
SS316 Lead Free Timeflow Push Button Pillar Tap

Nero



Versions:202401

Drawing



Specifications

Watermark License

WM-060073

Temperature Rating

Min 1°C - Max 75°C

Pressure Rating

Min 150kpa - Max 500kpa

Finish & SKU

Chrome
NR202302CH

PVD Black
NR202302PB

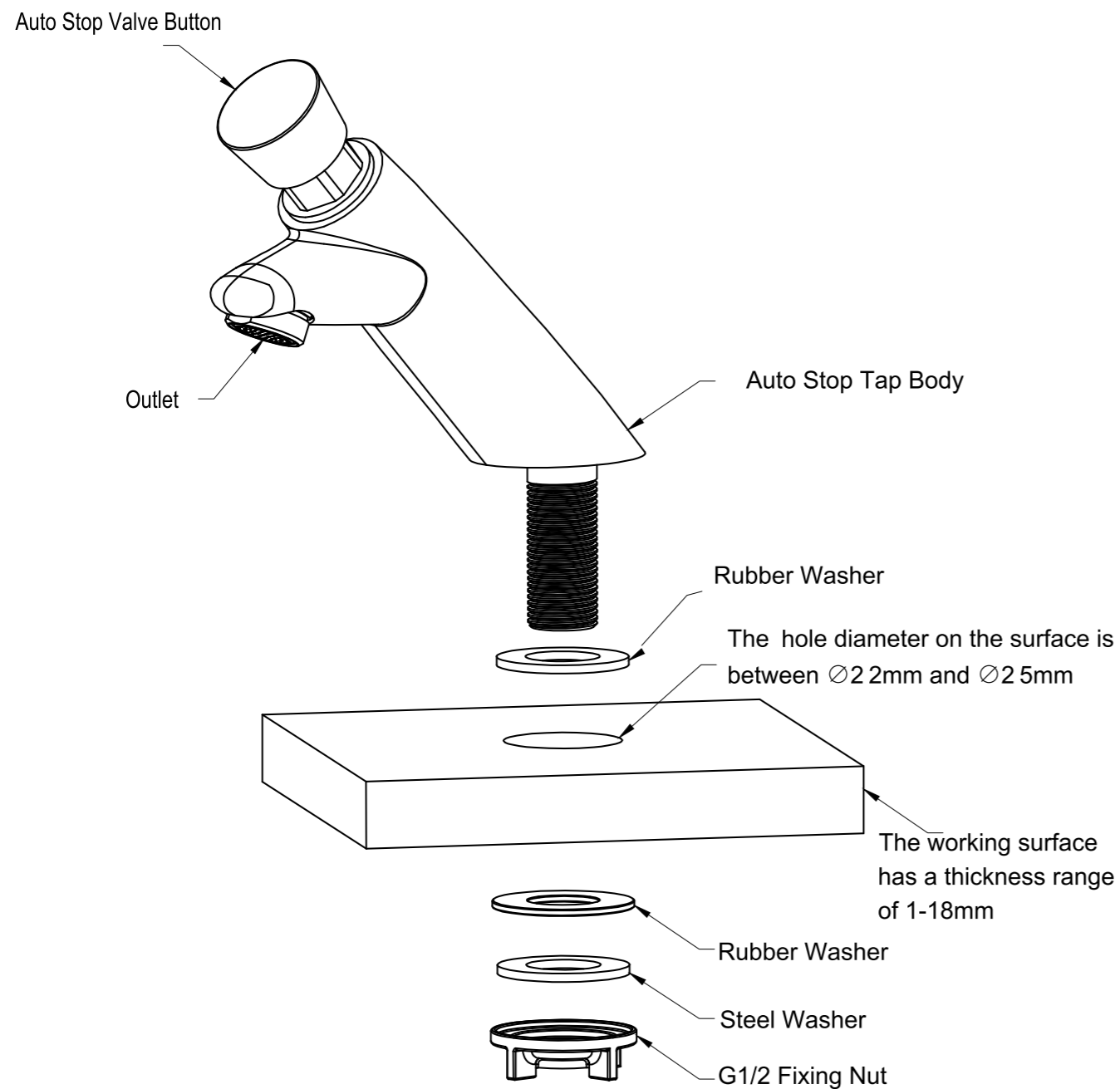
Packaging Includes

1x Push Button Pillar Tap

*Dimensions are nominal measurements only.

Installation Instruction

IMPORTANT: Read all instructions before installing.



Safety and Compliance

Nero recommends this product is installed by a licensed plumber in compliance with all relevant regional regulations. The product must be installed in compliance with AS/NZS 3500.

Installation Guidance

Preparation

1. Ensure that the working surface has a thickness range of 1-18mm.
2. Verify that the hole diameter on the surface is between $\text{Ø}22\text{mm}$ and $\text{Ø}25\text{mm}$.

Assembling the Tap

1. Position the rubber washer onto the base of the Auto Stop Tap.
2. Insert the tap through the pre-drilled hole in the working surface.
3. From below the surface, slide the rubber washer up onto the tap's thread.
4. Follow this with the steel washer.
5. Secure the tap in place using the G1/2 fixing nut. Hand-tighten the nut first, then use a suitable wrench to ensure a tight fit, being careful not to over-tighten and damage the washer.
6. Connect the cold-water supply hose to the tap. Ensure the hose is securely tightened.
7. Turn on the water supply to test the tap. Check all connections for leaks.
8. Press the push button to activate the tap and observe the water flow. The tap is designed to deliver water for 6-10 seconds per activation in pressure range 400-500 KPA, lower pressure setup will allow this mixer persistent running additional time.

Final Inspection and Testing

1. Confirm that the Auto Stop Tap is stable and that the valve button and spray outlet are correctly aligned.
2. Perform a test run to check the tap's operation and inspect for any leaks. Tighten fittings gently if leaks are present.

Maintenance

Regular maintenance is advised to maintain the efficiency and longevity of the product.

Nero

info@nerotapware.com.au
nerotapware.com.au

11-13 Buontempo Road
Carrum Downs Vic 3201

