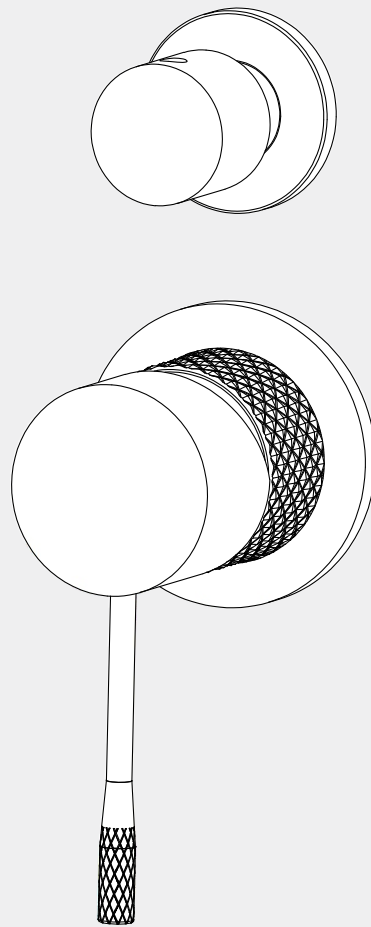


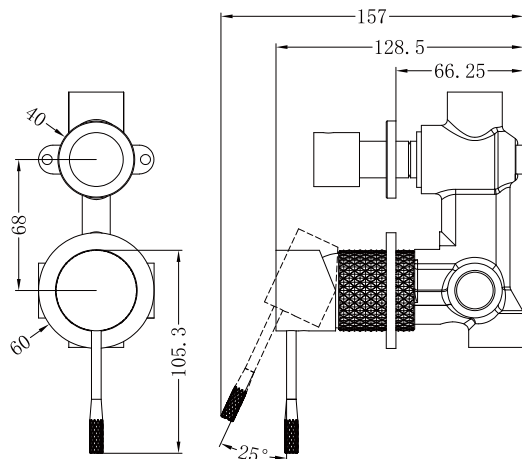
Opal Shower Mixer With Divertor Separate Plate

Nero



Versions:202401

Drawing



Specifications

Watermark License

WM-060073

Temperature Rating

Min 1°C - Max 75°C

Pressure Rating

Min 150kpa - Max 500kpa

Finish & SKU

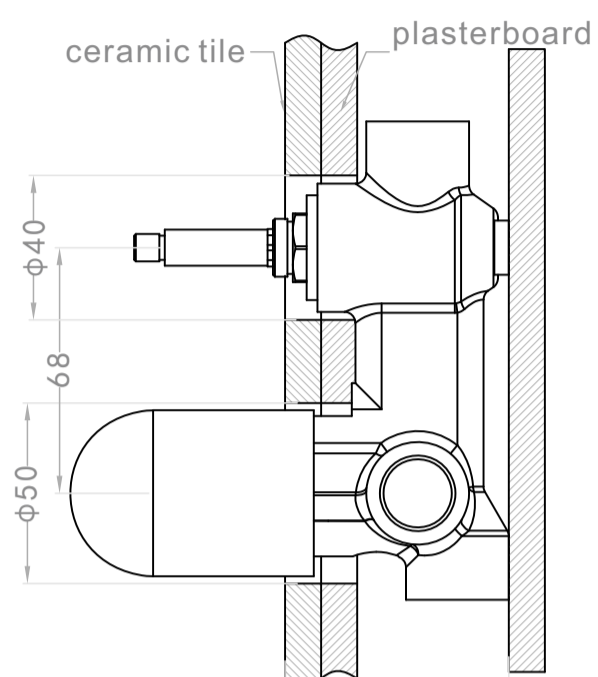
- | | |
|--|--|
|  Brushed Bronze
NR251909eBZ |  Graphite
NR251909eGR |
|  Brushed Gold
NR251909eBG |  Brushed Nickel
NR251909eBN |

Packaging Includes

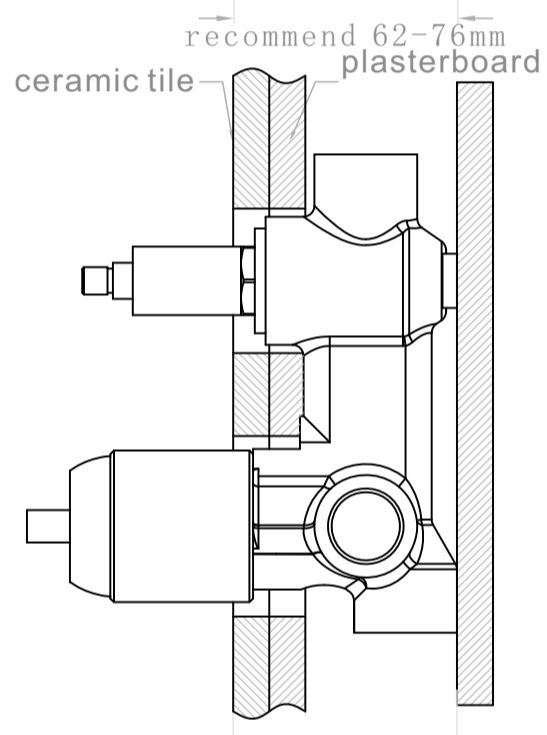
- 1x Mixer Body
- 1x Handle
- 2x Plates
- 1x Divertor Knob
- 1x Accessories Pouch

*Dimensions are nominal measurements only.

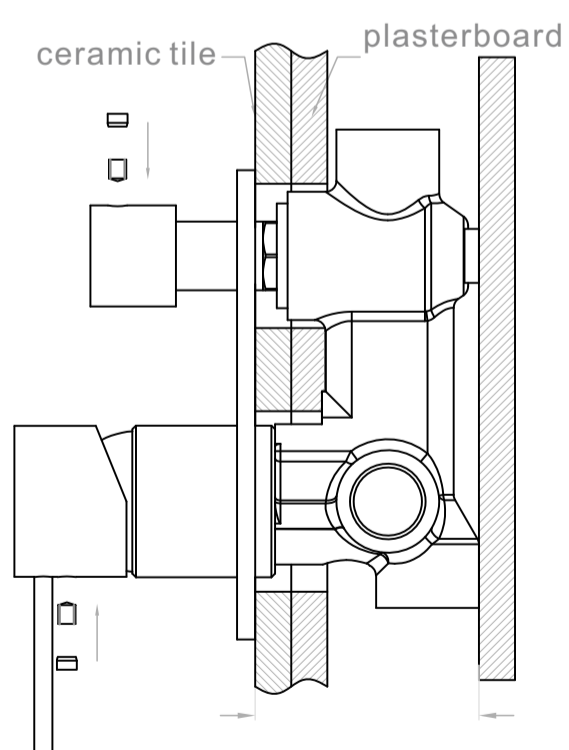
Installation Instruction



1. Fix body on noggin and ensure installation depth is 62-76mm from noggin to ceramic tile.
2. Connect cold water hose and hot water hose and test for leakage.
3. Install plasterboard and ceramic tile after drilling a $\phi 50$ and a $\phi 40$ hole according to the right drawing.



4. Remove the plastic sleeve and install sleeve of divertor.



5. Install plates, handle and knob.

Nero

info@nerotapware.com.au
nerotapware.com.au

11-13 Buontempo Road
Carrum Downs Vic 3201

