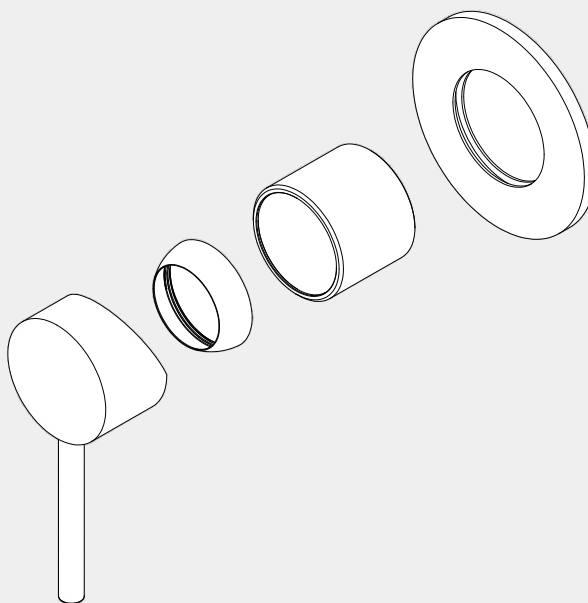


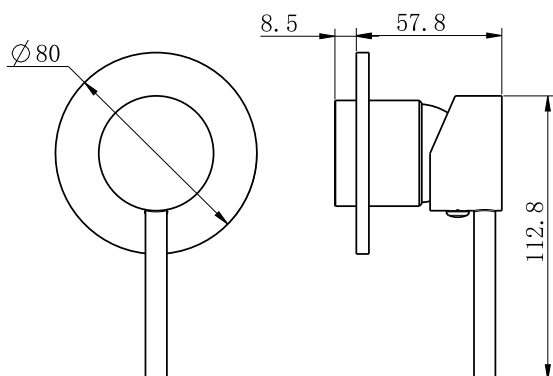
Dolce Shower Mixer Trim Kits Only

Nero



Versions:202311

Drawing



Specifications

SKU

NR250811t

Watermark License

WM-060073

Temperature Rating

Min 1°C-Max 75°C

Pressure Rating

Min 150kpa - Max 500kpa

Finish

Chrome
NR250811tCH

Gun Metal
NR250811tGM

Brushed Nickel
NR250811tBN

Matte Black
NR250811tMB

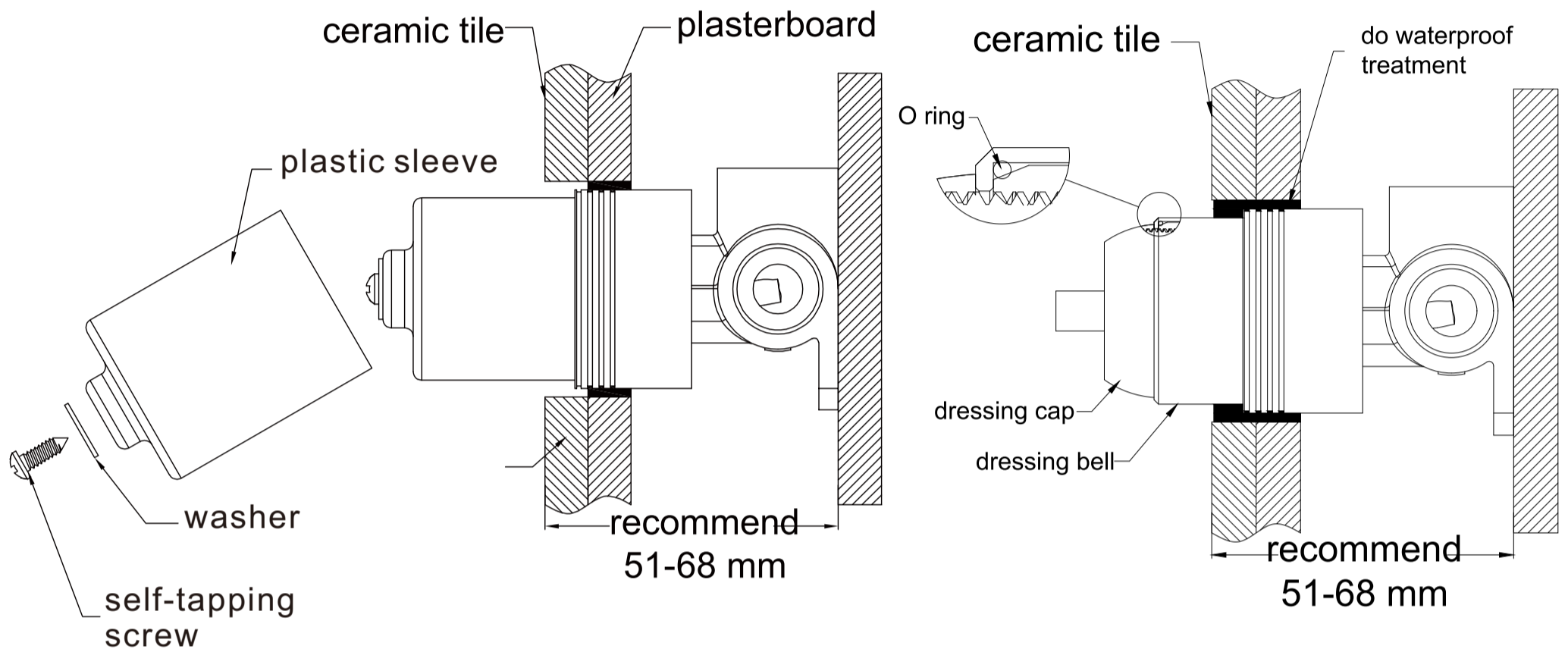
Brushed Gold
NR250811tBG

Packaging Includes

1x Plate
1x Handle
1x Cartridge Bell
1x Dressing Ring

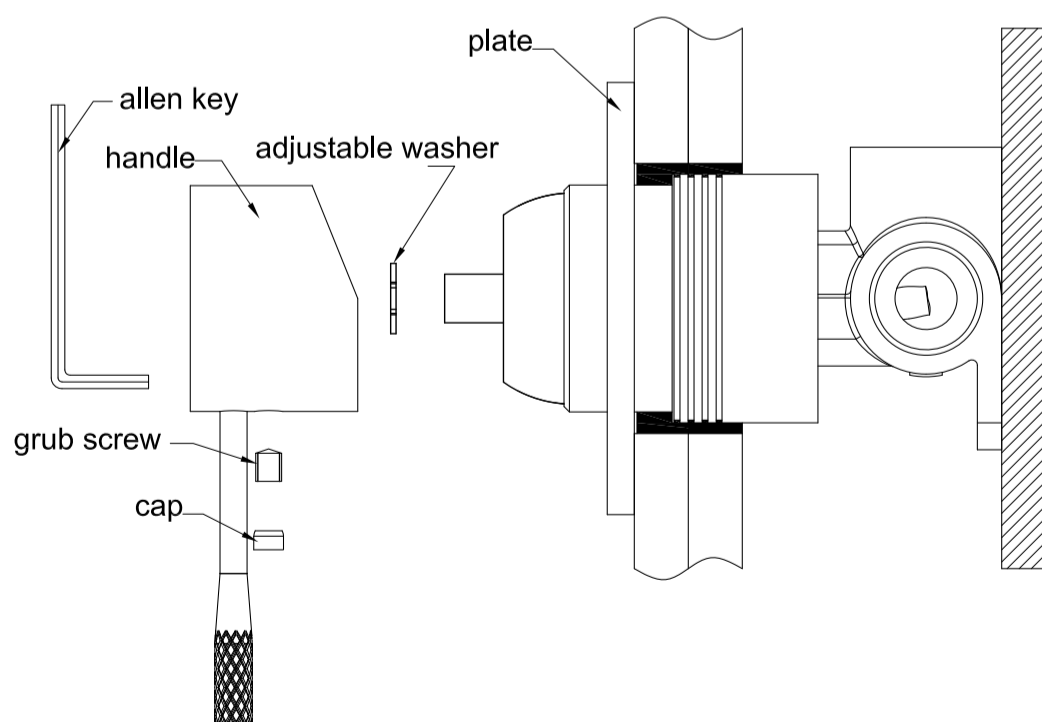
*Dimensions are nominal measurements only.

Installation Instruction For Trim Kits Only



1. Drill a $\phi 50\text{mm}$ hole in the ceramic tile, then position it as shown in the above diagram.
2. Undo the self-tapping screw, washer, plastic sleeve.

3. Insert the O ring to the dressing bell groove, and slide the dressing bell onto cartridge.
4. Apply waterproof treatment to the area in the diagram above.
5. Tighten the dressing ring on the dressing bell.



6. Slide the backplate onto the wall.
7. Attach the washer to the cartridge rod, position the handle, tighten it with a grub screw using an Allen key, and cap the grub screw hole.

Nero

info@nerotapware.com.au
nerotapware.com.au

11-13 Buontempo Road
Carrum Downs Vic 3201

