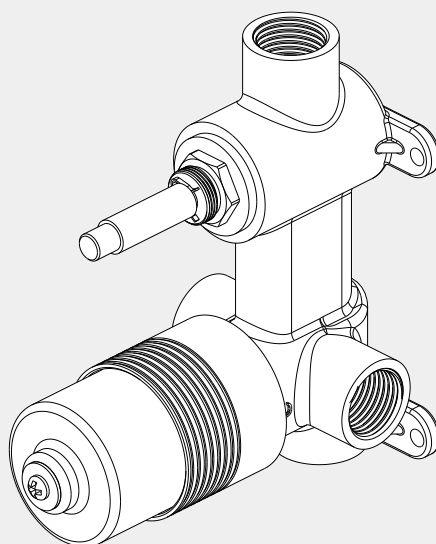


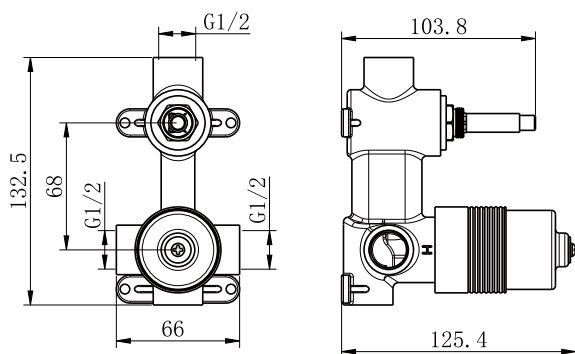
# Project 35mm Universal Shower Mixer With Divertor Body Only

# Nero



Versions:202311

## Top/Back



## Specifications

### SKU

NRUB003

### Watermark License

WM-060073

### Temperature Rating

Min 1°C-Max 75°C

### Pressure Rating

Min 150kpa - Max 500kpa

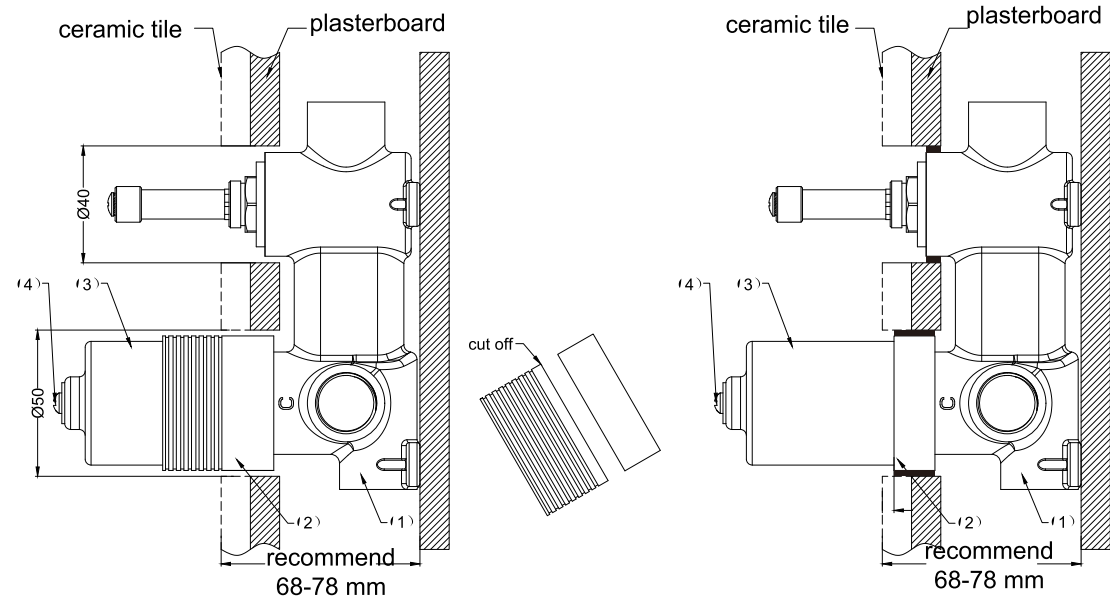
## Packaging Includes

1x mixer body

\*Dimensions are nominal measurements only.

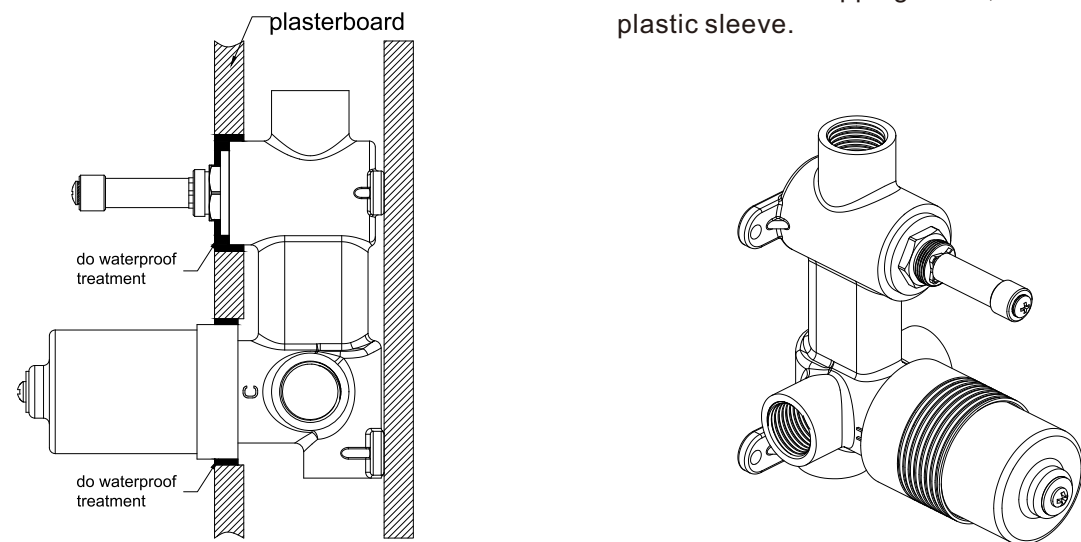
\*\*Only compatible with all Ecco and Dolce bath / shower mixers.

# Installation Instruction For Body Only



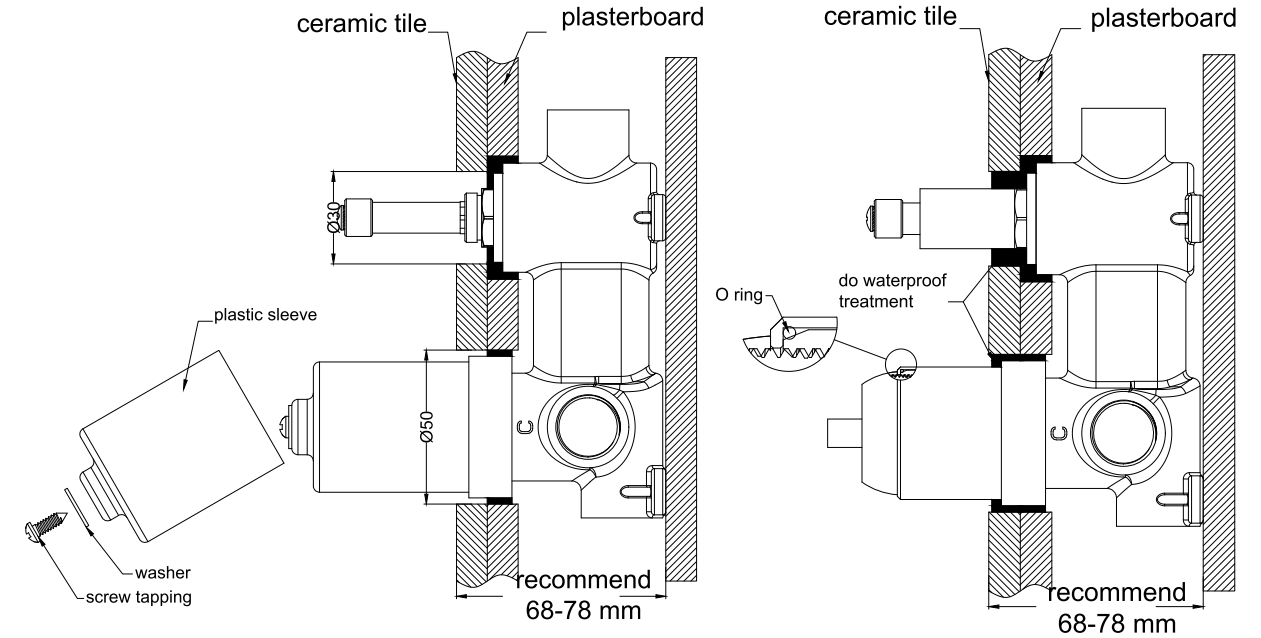
1. Secure the mixer body (1) to the nogging, ensuring an installation depth is 68-78mm from the nogging to ceramic tile.  
Caution: Do not remove plastic sleeve (2) from the mixer body.
2. Connect the cold and hot water supply lines and perform a leak test.
3. Drill a  $\phi 50\text{mm}$  and a  $\phi 40\text{mm}$  hole in the plasterboard for mixer body, and then position plasterboard as shown in the above image.

4. When the installation depth is 68-70mm, make the plastic sleeve (2) 2-4mm from ceramic tile surface to body.
5. When the installation depth is 71-78mm, make the plastic sleeve (2) 4-7mm from ceramic tile surface to body.
- Then waterproof the gap between the plasterboard and body.
6. Remove self-tapping screw, washer and plastic sleeve, and cut the plastic sleeve from the marked point.
7. Reattach self-tapping screw, washer and plastic sleeve.

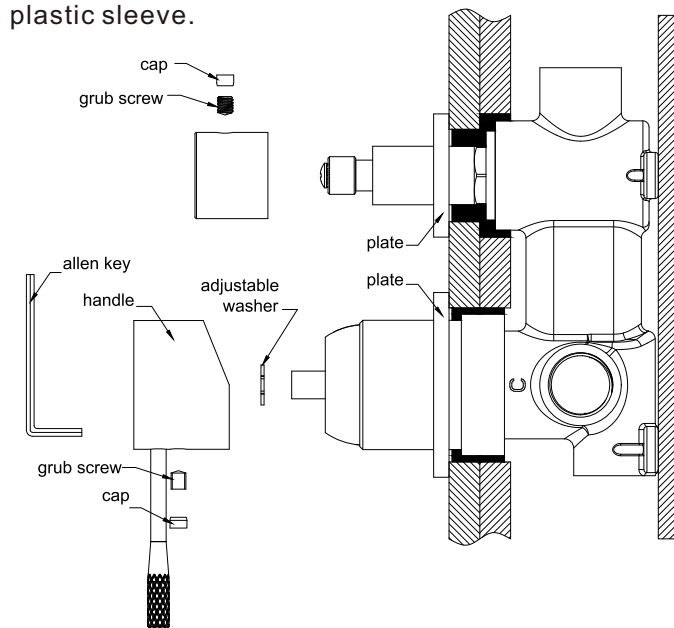


7. Waterproof for the gap the plasterboard and body.

# Installation Instruction For Trim Kits Only



1. Drill a  $\phi 50\text{mm}$  and a  $\phi 30\text{mm}$  hole in the ceramic tile, then position it as shown in the above diagram.
2. Undo the self-tapping screw to remove the plastic sleeve.



3. Insert the O ring to the dressing bell groove, and slide the cartridge bell onto cartridge and slide divertor dressing bell onto divertor cartridge.
4. Apply waterproof treatment to the area indicated in the diagram above.
5. Tighten up the dressing ring on the cartridge bell.
6. Slide the backplates onto body.
7. Attach the washer to cartridge rod, position the handle, tighten it with a grub screw using an Allen key, and cap the grub screw hole.
8. Put knob onto divertor cartridge, tighten it with grub screw using Allen key, and cap the grub screw hole.

# Nero

[info@nerotapware.com.au](mailto:info@nerotapware.com.au)  
[nerotapware.com.au](http://nerotapware.com.au)

11-13 Buontempo Road  
Carrum Downs Vic 3201

