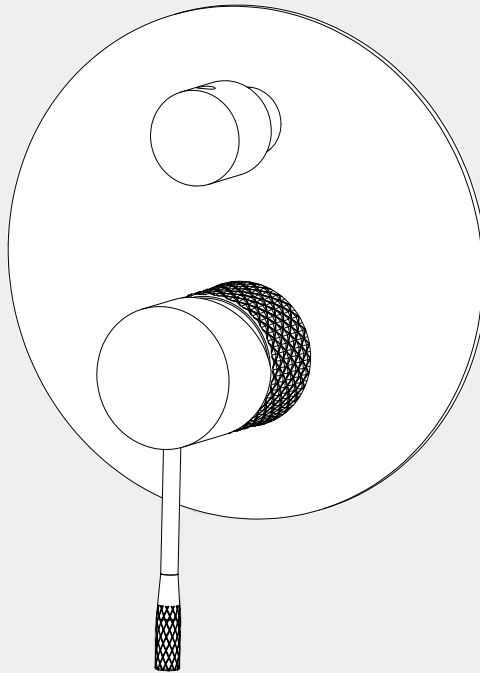


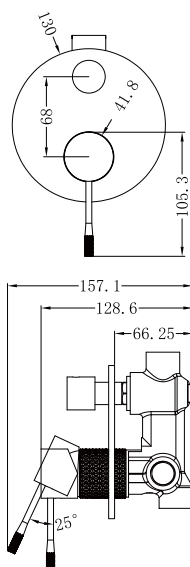
Opal Shower Mixer With Divertor

Nero



Versions:202401

Drawing



Specifications

Watermark License

WM-060073

Temperature Rating

Min 1°C - Max 75°C

Pressure Rating

Min 150kpa - Max 500kpa

Packaging Includes

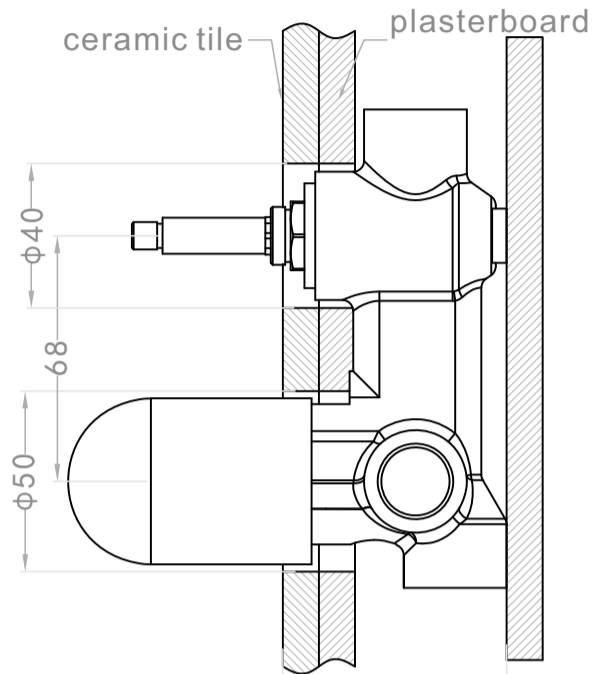
- 1x Mixer Body
- 1x Handle
- 1x Plate
- 1x Divertor Knob
- 1x Accessories Pouch

Finish & SKU

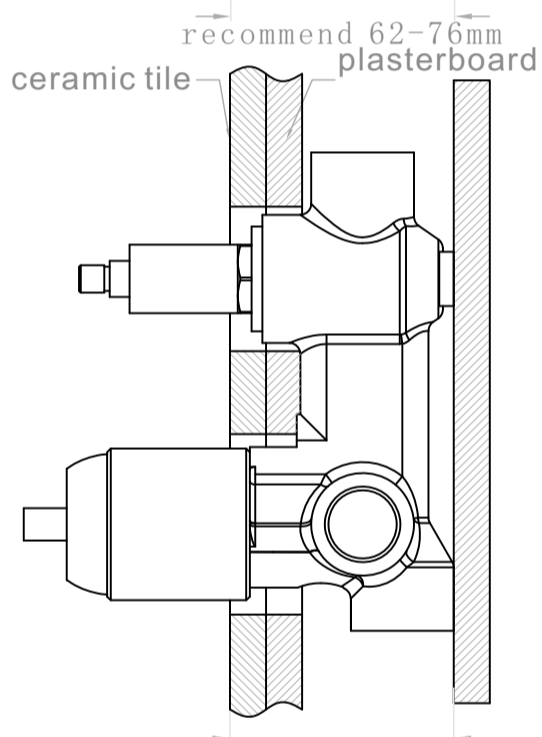
- Brushed Bronze NR251909aBZ
- Graphite NR251909aGR
- Brushed Gold NR251909aBG
- Brushed Nickel NR251909aBN

*Dimensions are nominal measurements only.

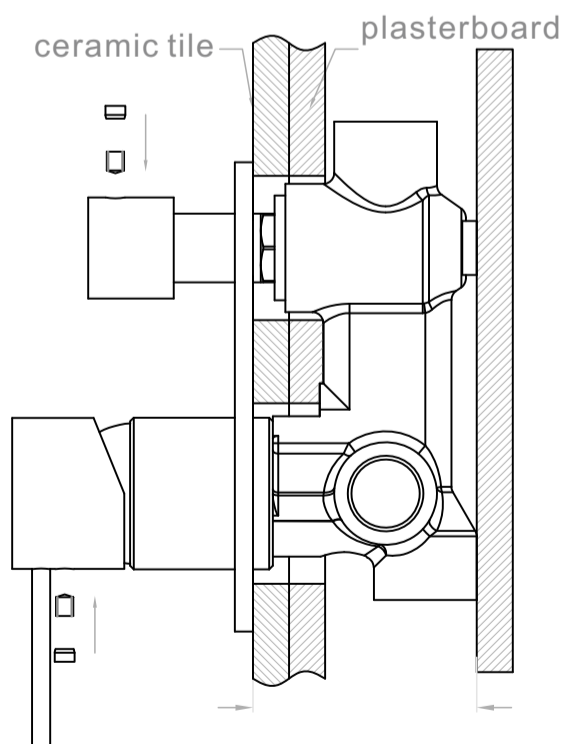
Installation Instruction



1. Fix body on noggin and ensure installation depth is 62-76mm from noggin to ceramic tile.
2. Connect cold water hose and hot water hose and test for leakage.
3. Install plasterboard and ceramic tile after drilling a $\phi 50$ and a $\phi 40$ hole according to the right drawing.



4. Remove the plastic sleeve and install sleeve of divertor.



5. Install plate, handle and knob.

Nero

info@nerotapware.com.au
nerotapware.com.au

11-13 Buontempo Road
Carrum Downs Vic 3201

