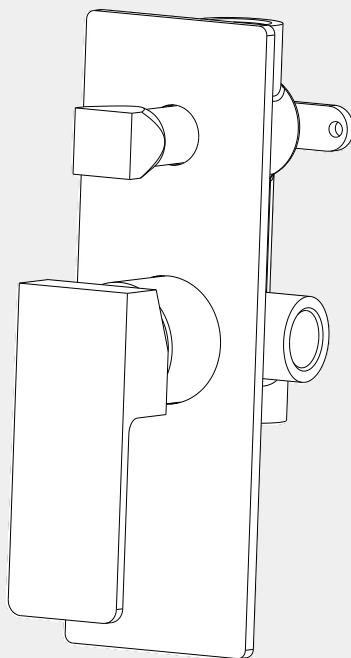


# Celia Shower Mixer With Divertor

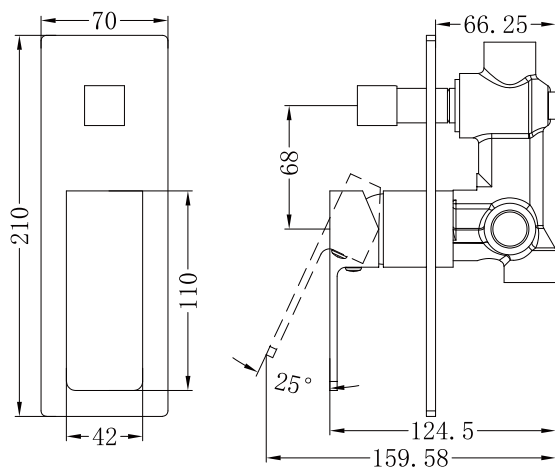
# Nero



0013

Versions:202401

## Drawing



## Specifications

### Watermark License

WM-060073

### Temperature Rating

Min 1°C - Max 75°C

### Pressure Rating

Min 150kpa - Max 500kpa

## Finish & SKU



Chrome  
NR301509aCH



Matte Black  
NR301509aMB



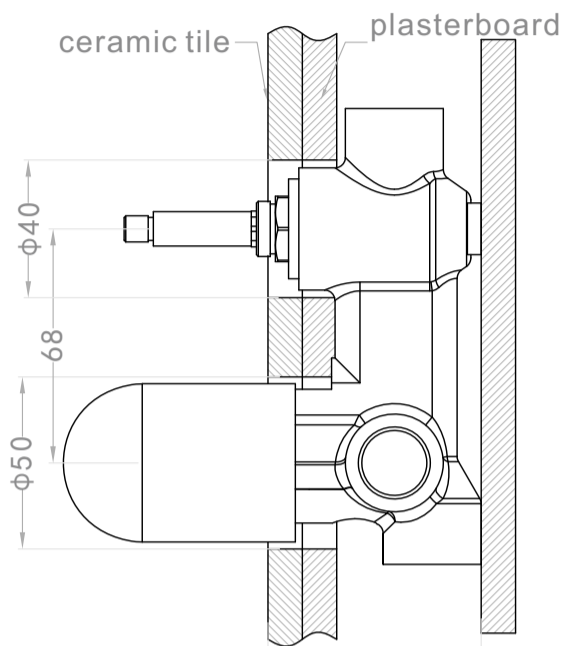
Brushed Nickel  
NR301509aBN

## Packaging Includes

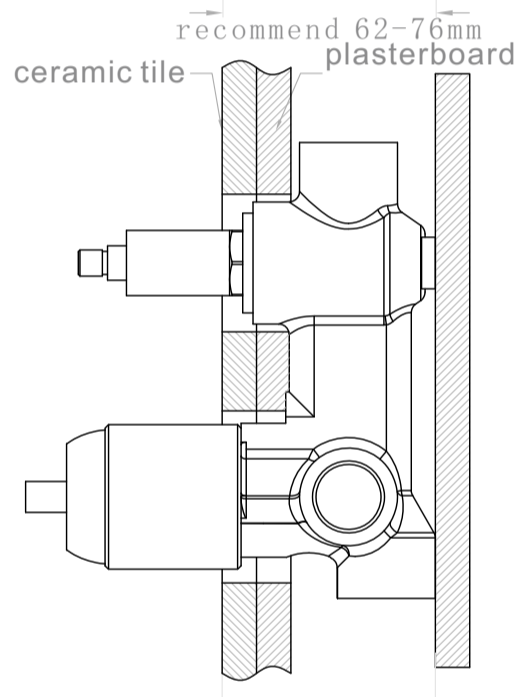
- 1x Mixer Body
- 1x Handle
- 1x Plate
- 1x Diverter
- 1x Installation Kit

\*Dimensions are nominal measurements only.

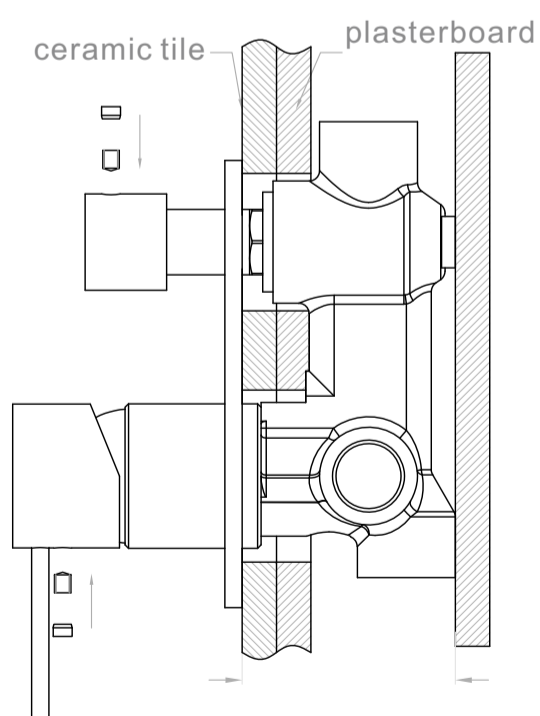
# Installation Instruction



1. Fix body on noggin and ensure installation depth is 62-76mm from noggin to ceramic tile.
2. Connect cold water hose and hot water hose and test for leakage.
3. Install plasterboard and ceramic tile after drilling a  $\phi 50$  and a  $\phi 40$  hole according to the right drawing.



4. Remove the plastic sleeve and install sleeve of divertor.



5. Install plate, handle and knob.

# Nero

[info@nerotapware.com.au](mailto:info@nerotapware.com.au)  
[nerotapware.com.au](http://nerotapware.com.au)

11-13 Buontempo Road  
Carrum Downs Vic 3201

