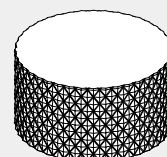
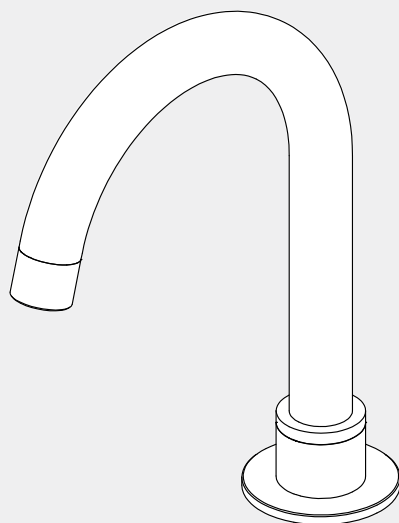


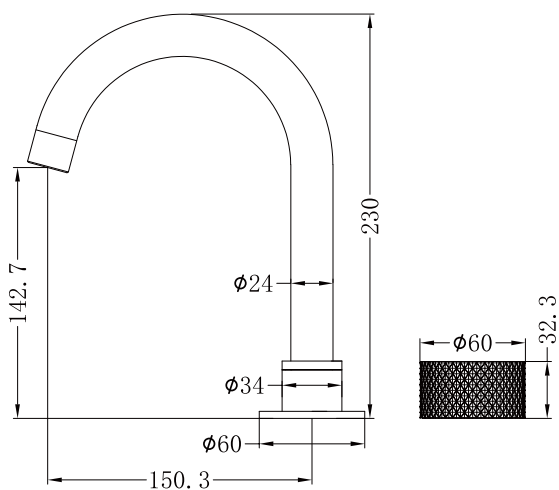
Opal Progressive Basin Set

Nero



Versions:202401

Drawing



Specifications

Watermark License

WM-060073

Temperature Rating

Min 1°C - Max 75°C

Pressure Rating

Min 150kpa - Max 500kpa

Packaging Includes

1x Basin Spout
1x Hand Wheel
3x Flexible hoses

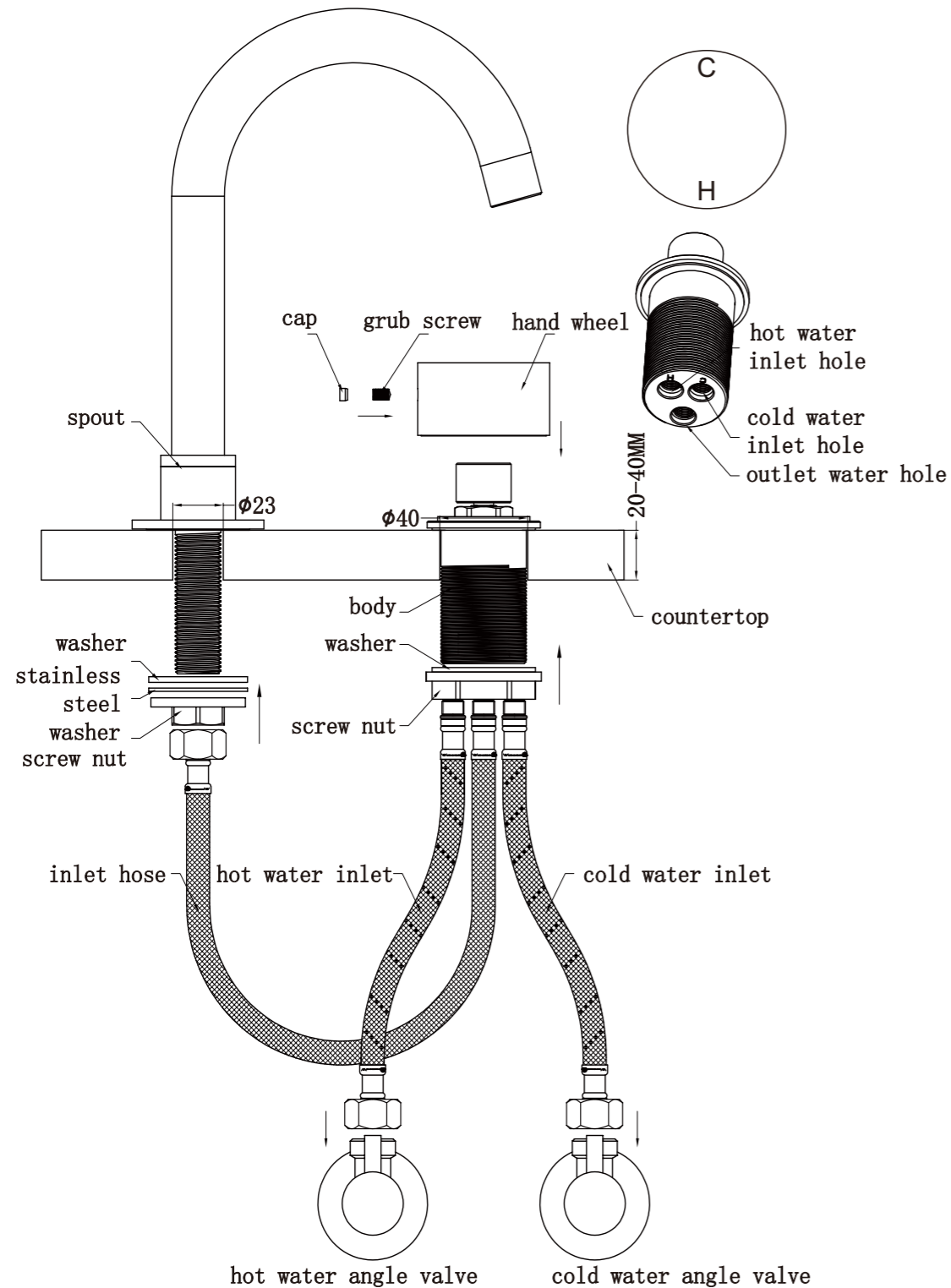
Finish & SKU

- | | |
|--|--|
|  Brushed Bronze
NR252001BZ |  Graphite
NR252001GR |
|  Brushed Gold
NR252001BG |  Brushed Nickel
NR252001BN |

*Dimensions are nominal measurements only.

Installation Instruction

IMPORTANT: Read all instructions before installing.



General:

Nero recommends this product is installed by a licensed plumber in compliance with all relevant regional regulations.

Do not hydrostatic test the installation with this mixer installed. Damage to the ceramic cartridge may occur. All pipe work must be thoroughly flushed prior to the installation of the mixer.

In-line filters must be fitted on both hot and cold supplies to prevent foreign particles damaging the ceramic cartridge.

Do not remove the ceramic cartridge from the mixer when installing.

After installation all connections must be checked for leaks.

All outlets used primarily for personal hygiene shall deliver water at a safe temperature as per regional regulations.

This mixer is not recommended for use in uncontrolled heating systems such as wet-backs or solar heating units unless a suitable tempering valve is fitted.

If limited water flow is experienced, locate aerator and filter washers and clean away foreign material as required.

It is the responsibility of the installer to ensure a waterproof seal is achieved between the product and mounting surface. If in doubt about the quality of the seal, remove the product and reinstall.

Installation Instruction:

1. Please make sure the thickness of your counter top is within range 20-40mm before installation.
2. Drill a 23mm and a 40mm hole for spout and body according to the right picture.
3. Put body and spout into counter top and tighten the screw nut to threaded pipes compressing the rubber washer from the under-side of the counter.
4. Turn the hand wheel counterclockwise to the end. Then reinstall the hand wheel, make the "C" should be on twelve o'clock direction and "H" on the six o'clock direction, according to above picture. Then tighten grub screw of hand wheel by allen key, put cap into hand wheel.
5. Connect flexible hoses according to the right picture.
6. Test for any leaks.

Nero

info@nerotapware.com.au
nerotapware.com.au

11-13 Buontempo Road
Carrum Downs Vic 3201

