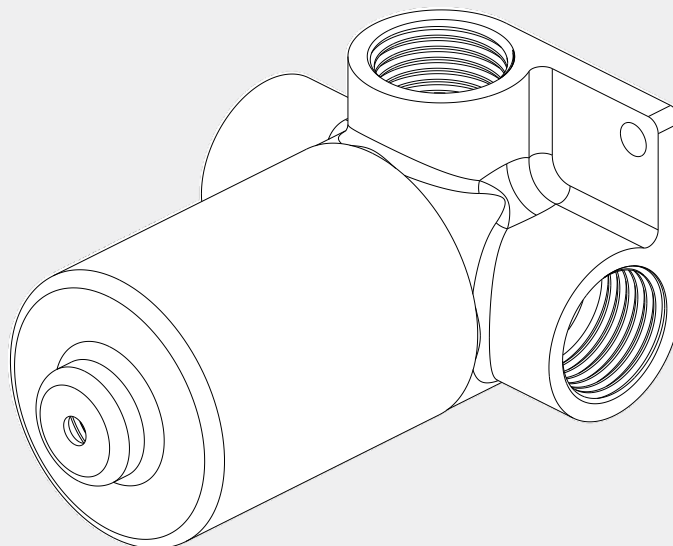


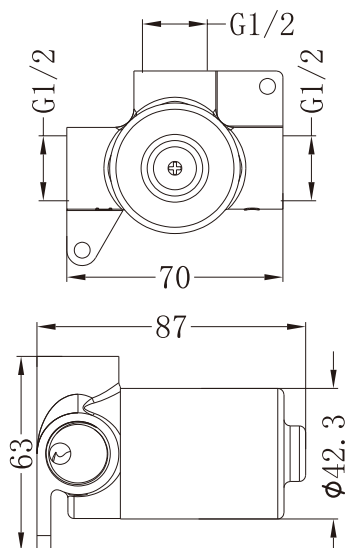
Kara/Opal Progressive Shower Mixer Body Only

Nero



Versions:202311

Top/Back



Specifications

SKU

NR29238

Watermark License

WM-060073

Temperature Rating

Min 1°C-Max 75°C

Pressure Rating

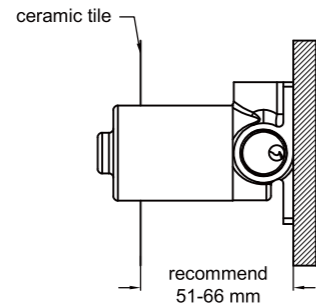
Min 150kpa - Max 500kpa

Packaging Includes

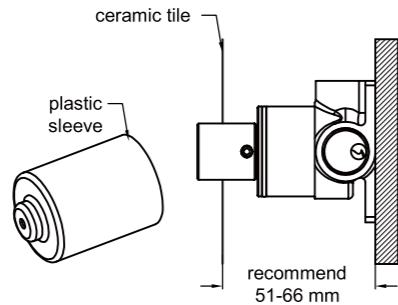
1 x shower mixer body

*Dimensions are nominal measurements only.

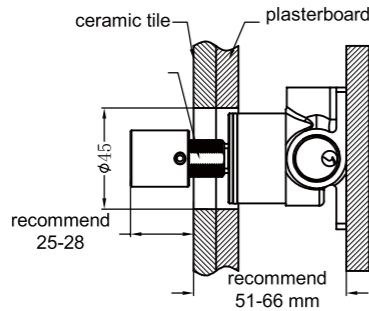
Installation Instruction For Body



1. Fix body on nogging and ensure installation depth is 51-66mm from nogging to ceramic tile.

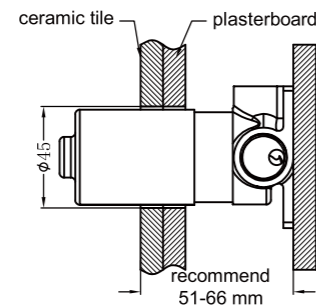


2. Take off plastic sleeve.



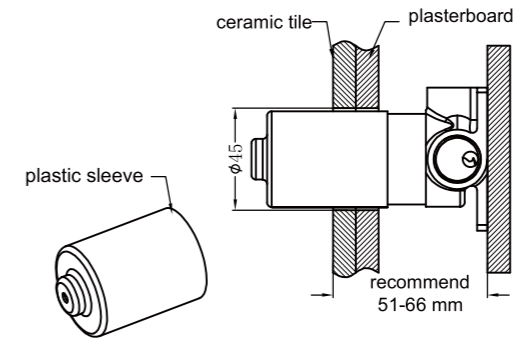
3. Adjust connecting rod and ensure depth is 25-28mm from the front of adaptor to ceramic tile.

Drill a $\phi 45$ hole on plasterboard and ceramic tile for the body, according to above picture. Then install plasterboard and do waterproof for the whole plasterboard. Install ceramic tile.

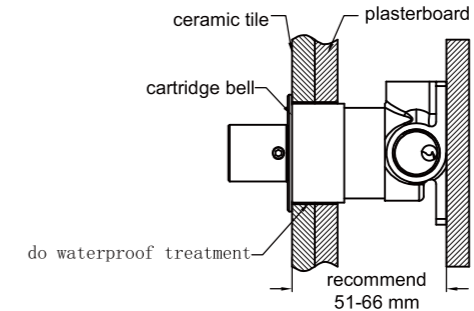


4. Install plastic sleeve back to the body.

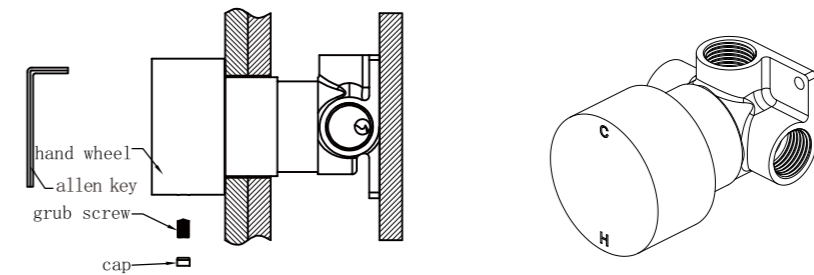
Installation Instruction For Trim Kits



1. Remove plastic sleeve.



2. Put cartridge bell onto body and do waterproof treatment for the gap between cartridge bell and plasterboard and ceramic tile.



3. Make hand wheel into connecting rod, turn the hand wheel counterclockwise to the end. Then reinstall the hand wheel, make the "C" should be on twelve o'clock direction and "H" on the six o'clock direction, according to above picture. Then tighten grub screw of hand wheel by allen key, put cap into hand wheel.

Nero

info@nerotapware.com.au
nerotapware.com.au

11-13 Buontempo Road
Carrum Downs Vic 3201

