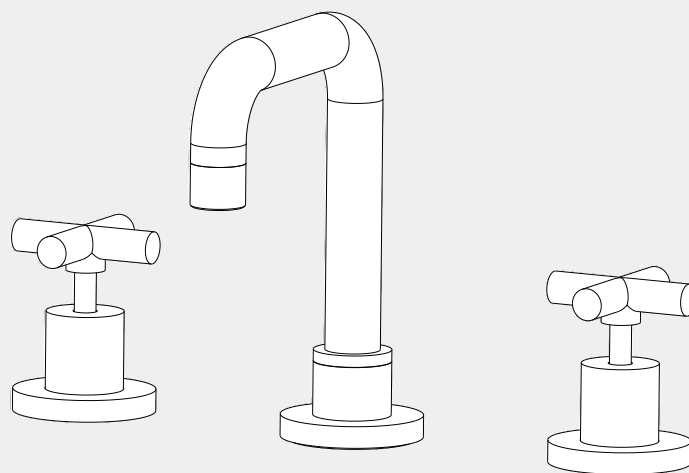


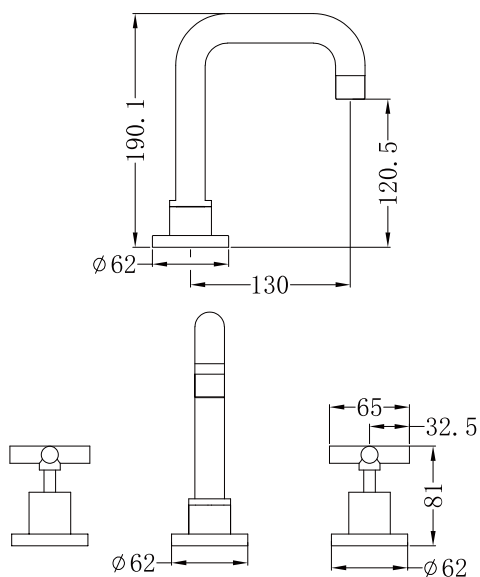
X Plus Basin Set

Nero



Versions:202401

Top/Back



Specifications

Watermark License

WM-060073

Temperature Rating

Min 1°C - Max 75°C

Pressure Rating

Min 150kpa - Max 500kpa

Packaging Includes

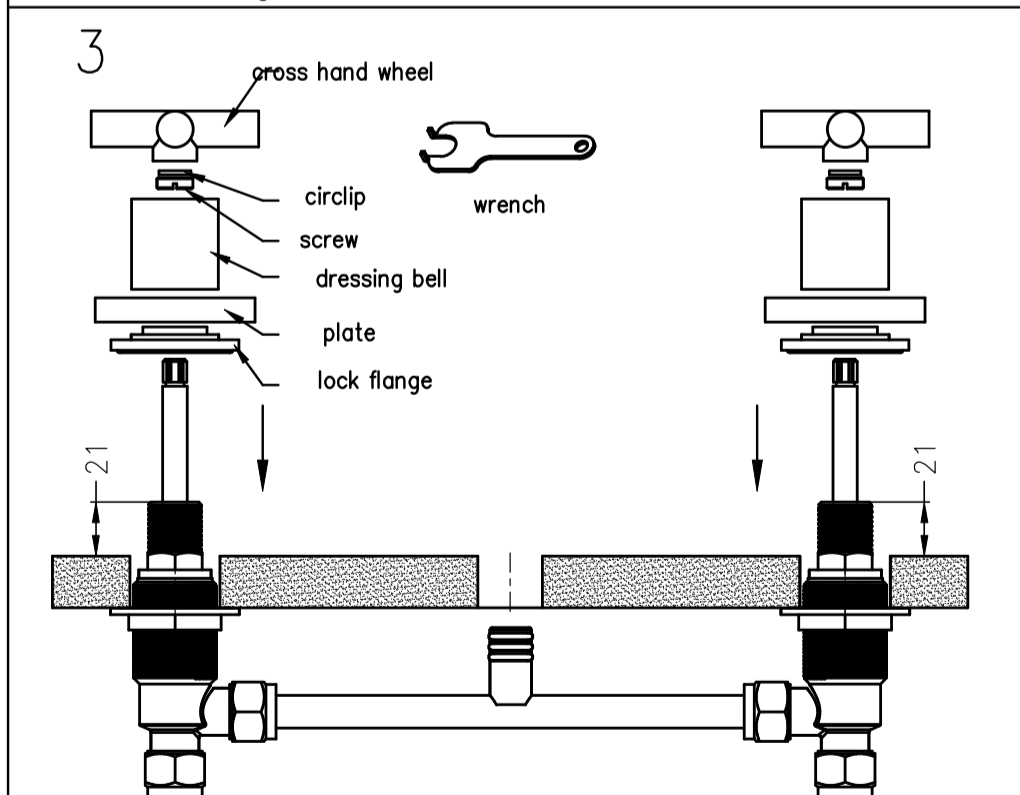
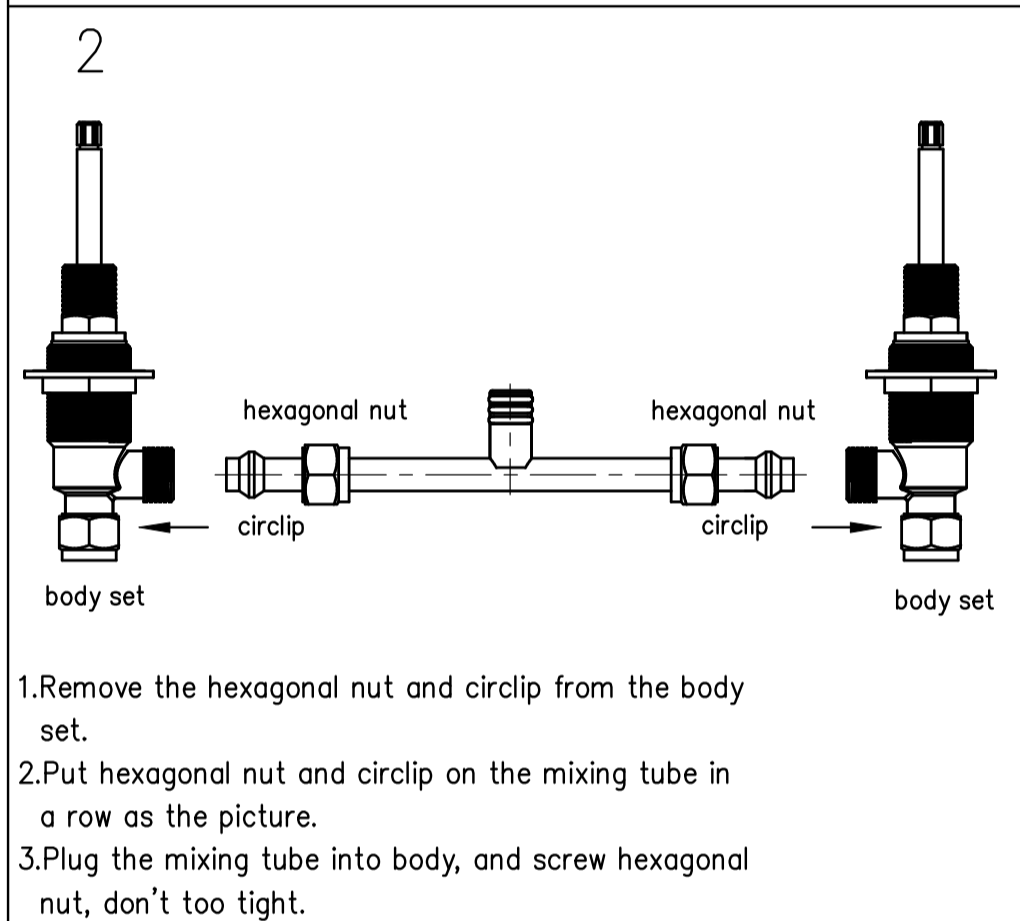
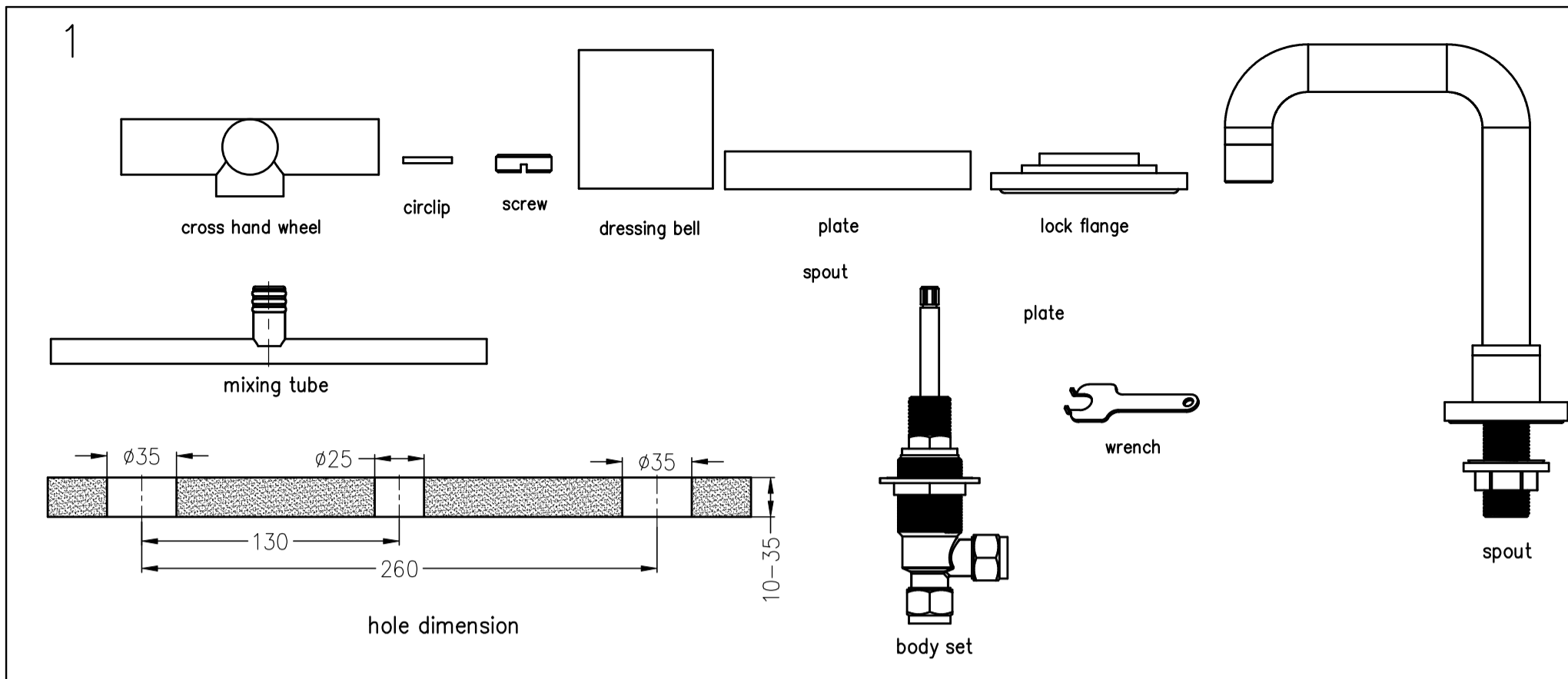
1x Spout
2x Hand Wheels
1x Mixing Tube

Finish & SKU

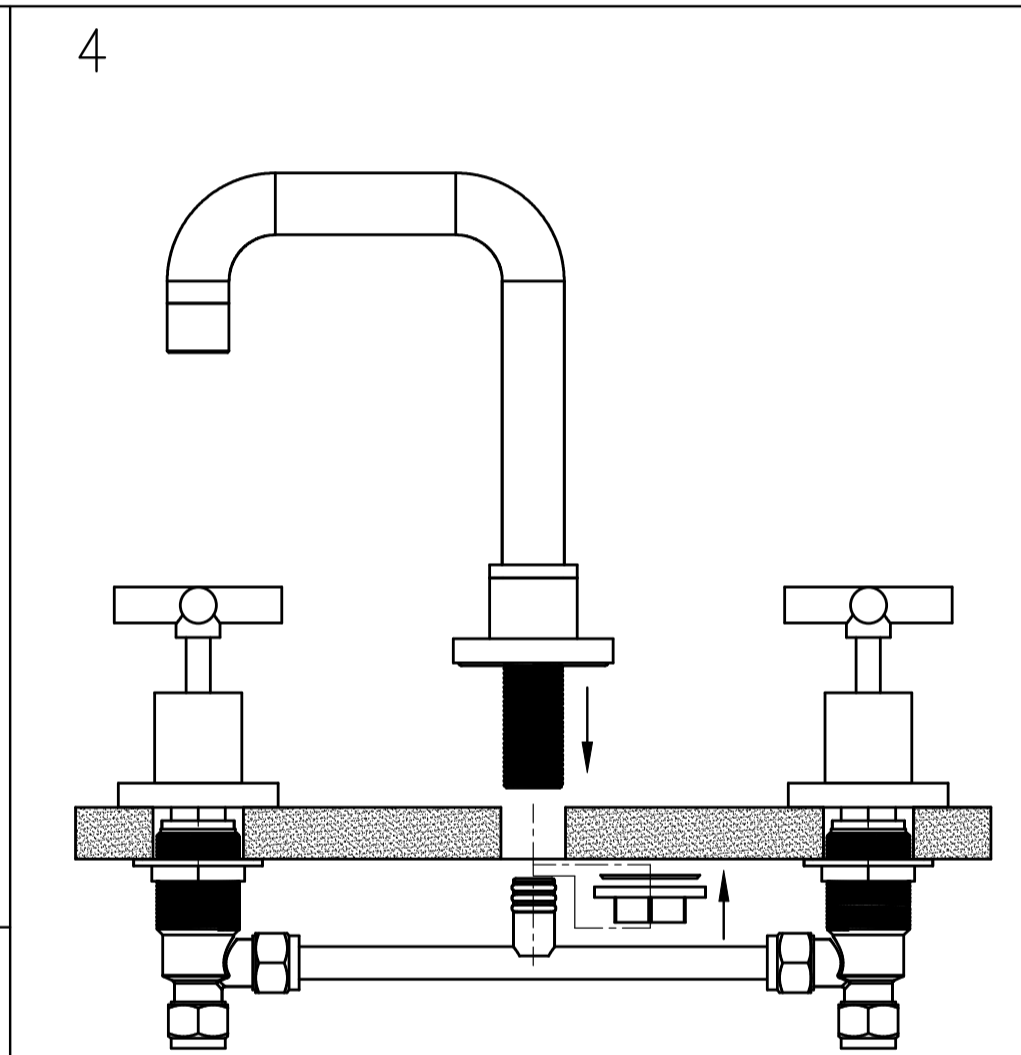
● Matte Black
NR201601MB

● Brushed Gold
NR201601BG

*Dimensions are nominal measurements only.



1. Plug the assembled kit (picture 2) from the bottom side of the counter, and adjust the height as the picture.
2. Put on lock flange, and tighten by wrench firmly.
3. Put on plate onto slow-opening valve, then put dressing bell onto valve, and tighten it up.
4. Put the screw onto the stick of slow-opening valve, then put circlip onto gap of slow-opening valve.
5. Put cross hand wheel onto stick of slow-opening valve, then adjust the rotation angle of hand wheel, and tighten it up.



1. Remove the hexagonal nut and washer from the spout.
2. Put the spout in the hole on the counter and put on the washer and hexagonal nut.
3. Put the bottom of the spout onto mixing tube.
4. Tighten the hexagonal nut of spout.
5. Tighten the hexagonal nut beside the body set firmly by wrench.

Nero

info@nerotapware.com.au
nerotapware.com.au

11-13 Buontempo Road
Carrum Downs Vic 3201

