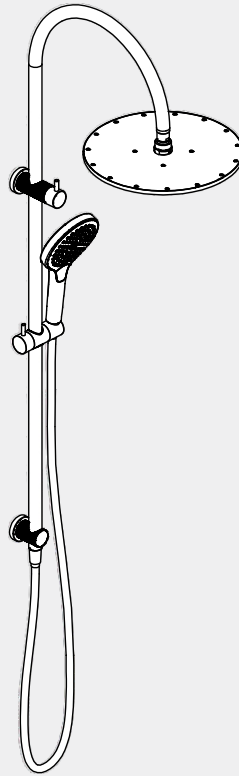


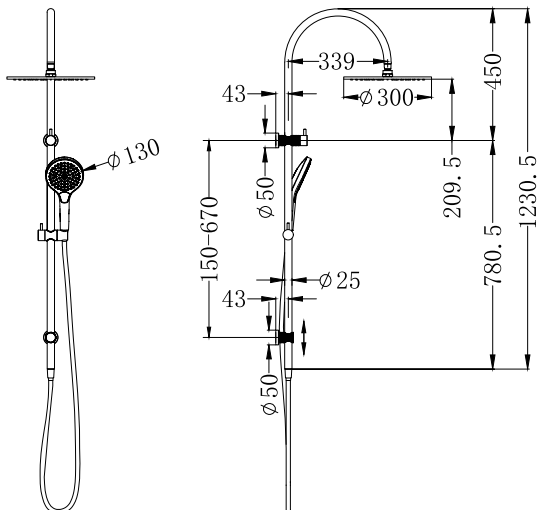
Opal Twin Shower With Air Shower II

Nero



Versions:202401

Drawing



Specifications

Watermark License

WM-060093



Temperature Rating

Min 1°C - Max 75°C

Pressure Rating

Min 150kpa - Max 500kpa

Finish & SKU

- | | |
|--|--|
|  Brushed Bronze
NR251905hBZ |  Brushed Nickel
NR251905hBN |
|  Graphite
NR251905hGR |  Brushed Gold
NR251905hBG |

Packaging Includes

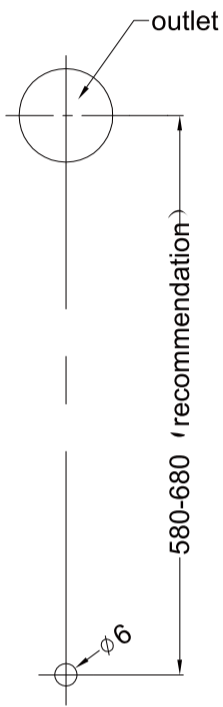
- 1x Hand Shower (Built- In Check Valve)
- 1x 1.5m Pvc Hose
- 1x Shower Rail
- 1x Shower Head

*Dimensions are nominal measurements only.

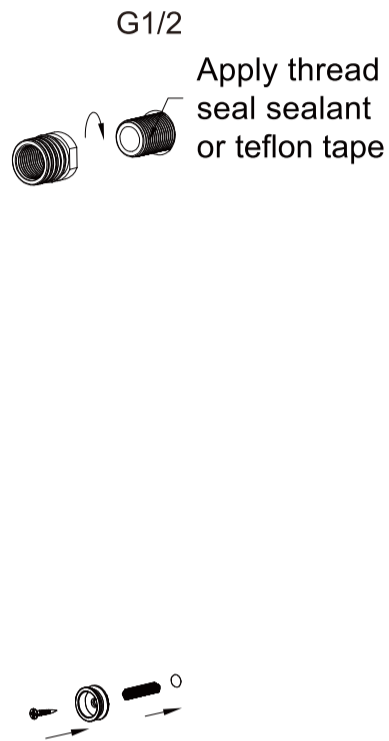
Important

All products must be installed by licensed plumbers.

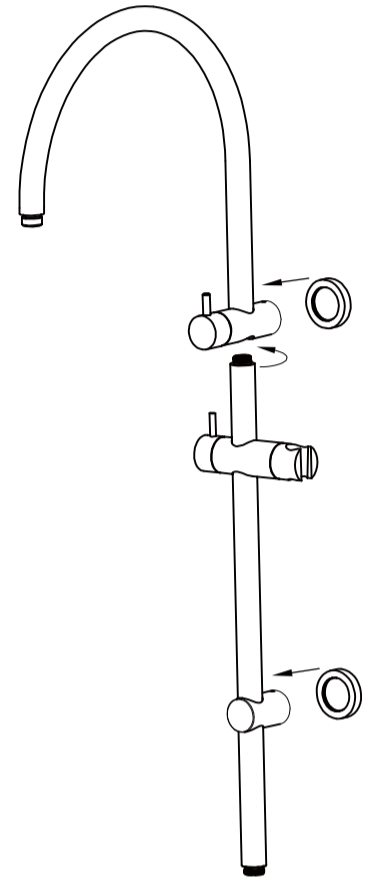
All pipework must be thoroughly flushed prior to installation, as foreign materials may block the flow regulating device and reduce the flow of water.



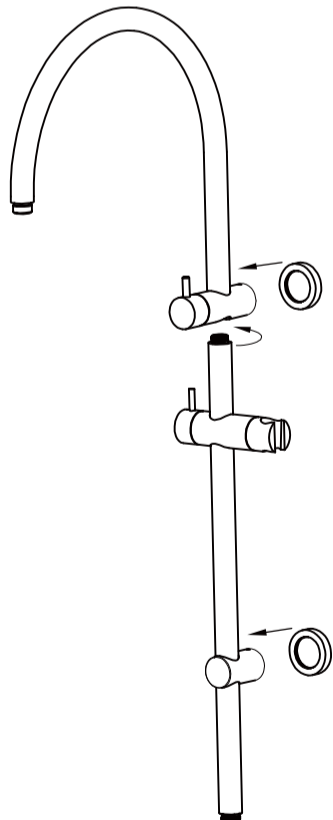
1. Drill a φ6mm hole at the downwards outlet vertical downward position in the recommendation range.



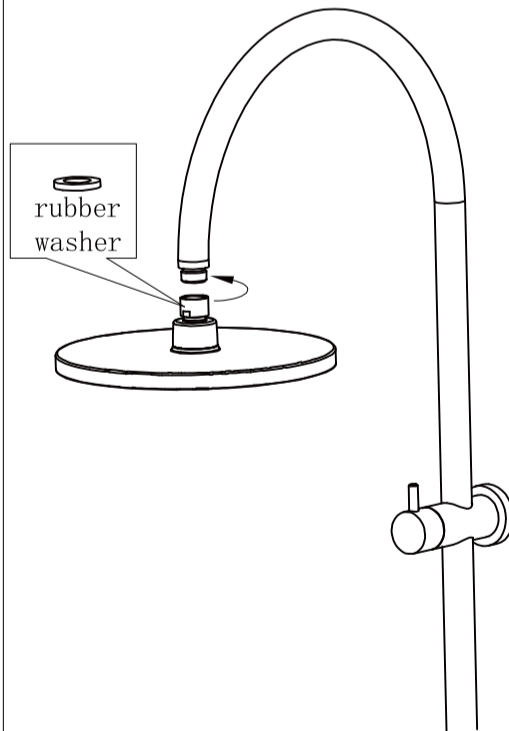
2. Screw the adapter onto the outlet. Push wall plug into drilled hole. Fit lower mounting pillar in place with screw. Tighten firmly.



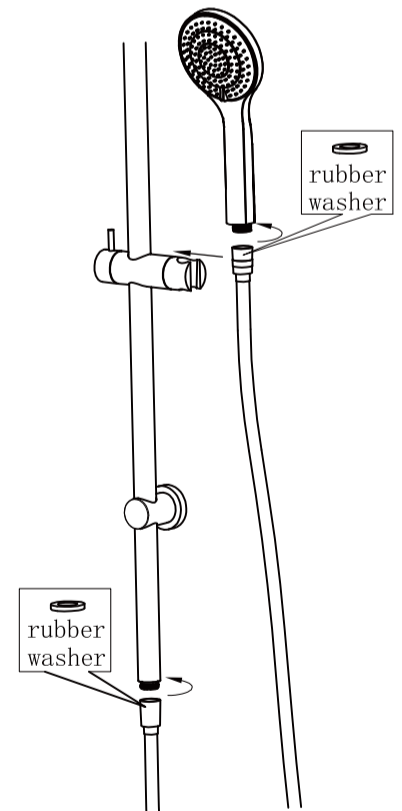
3. Screw shower rail into shower arm component. Tighten firmly. Push 2 back plates onto shower arm component and lower mounting pillar.



4. Locate and push shower rail assembly onto wall adapters. Tighten grub screws firmly with allen key provided. Slide the back plates against the wall/tile face properly.



5. Screw shower head to shower arm with care. (Note the rubber washer in the shower head.)



6. Please noted the rubber washer in the hand shower. Connect shower rail and hand shower with hose. TEST & CHECK FOR LEAKS.

Nero

info@nerotapware.com.au
nerotapware.com.au

11-13 Buontempo Road
Carrum Downs Vic 3201

