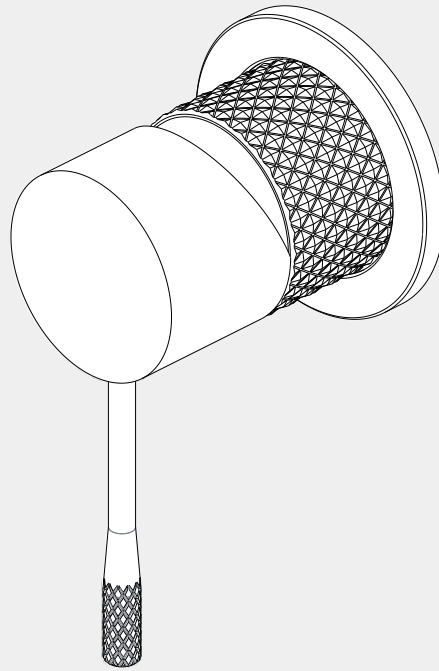


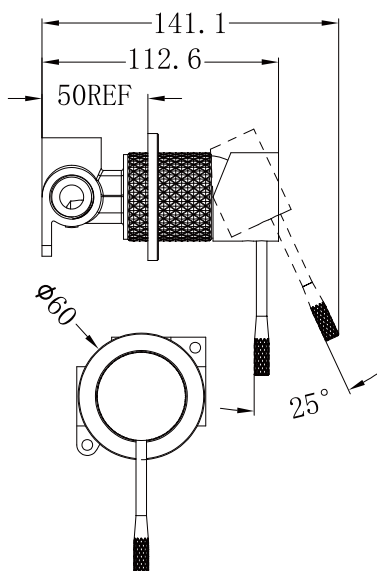
Opal Shower Mixer 60mm Plate

Nero



Versions:202401

Drawing



Specifications

Watermark License

WM-060073

Temperature Rating

Min 1°C-Max 75°C


Pressure Rating

Min 150kpa - Max 500kpa

Packaging Includes

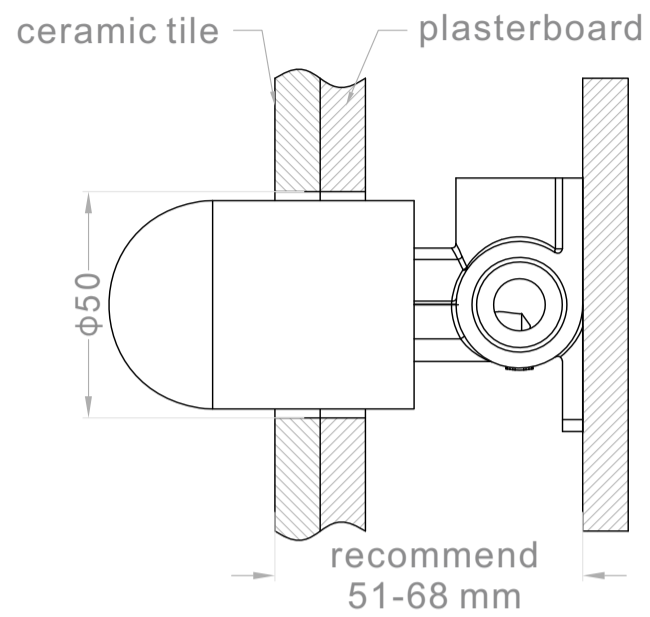
1x Mixer Body
1x Handle
1x Plate
1x Accessories Pouch

Finish & SKU

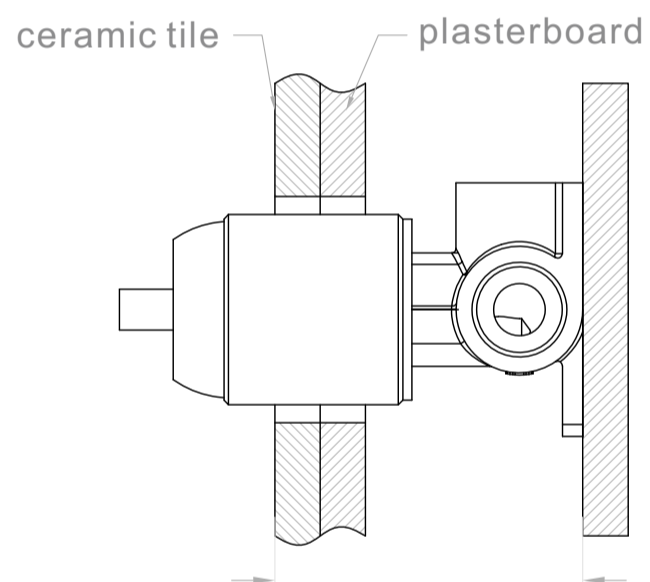
 Brushed Bronze NR251909hBZ	 Graphite NR251909hGR
 Brushed Gold NR251909hBG	 Brushed Nickel NR251909hBN

*Dimensions are nominal measurements only.

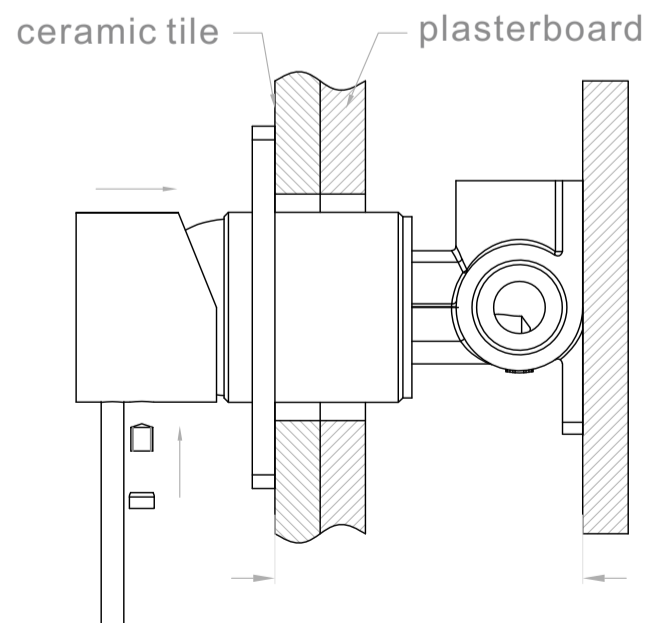
Installation Instruction



1. Fix body on noggin and ensure installation depth is 51-68mm from noggin to ceramic tile.
2. Connect cold water hose and hot water hose and test for leakage.
3. Install plasterboard and ceramic tile after drilling a φ50 hole according to above picture.



4. Remove the plastic sleeve of body.



5. Install plate and handle.

Nero

info@nerotapware.com.au
nerotapware.com.au

11-13 Buontempo Road
Carrum Downs Vic 3201

