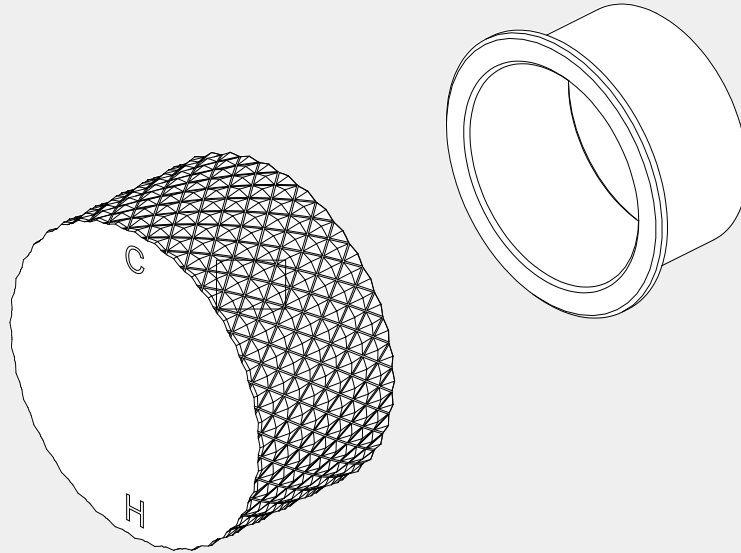


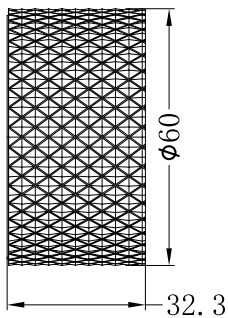
Opal Progressive Progressive Shower Mixer Trim Kits Only

Nero



Versions:202311

Top/Back



Specifications

SKU

NR252009t

Watermark License

WM-060073

Temperature Rating

Min 1°C-Max 75°C

Pressure Rating

Min 150kpa - Max 500kpa

Finish

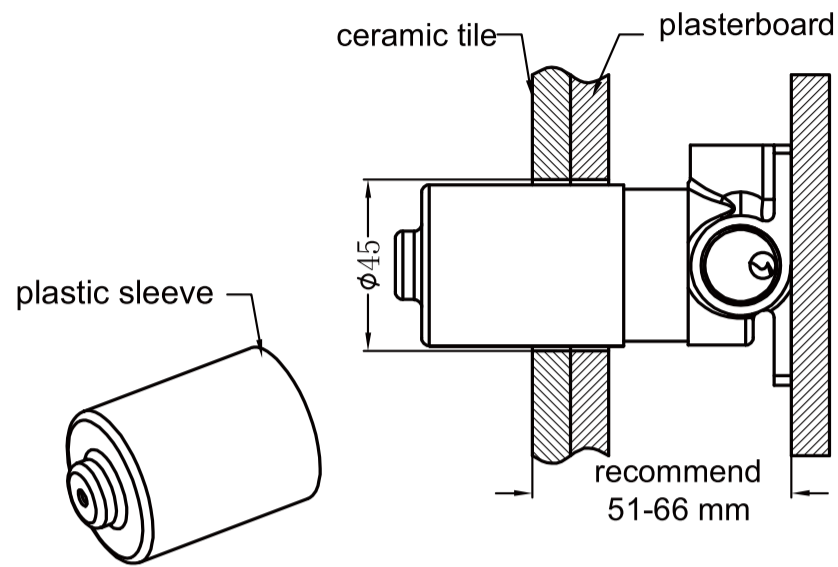
- | | |
|--|--|
|  Brushed Bronze
NR252009tBZ |  Graphite
NR252009tGR |
|  Brushed Gold
NR252009tBG |  Brushed Nickel
NR252009tBN |

Packaging Includes

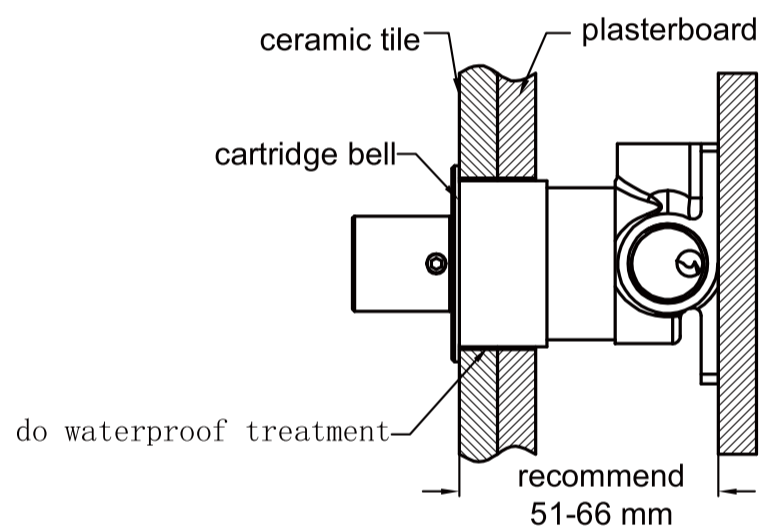
1x hand wheel
1x cartridge bell

*Dimensions are nominal measurements only.

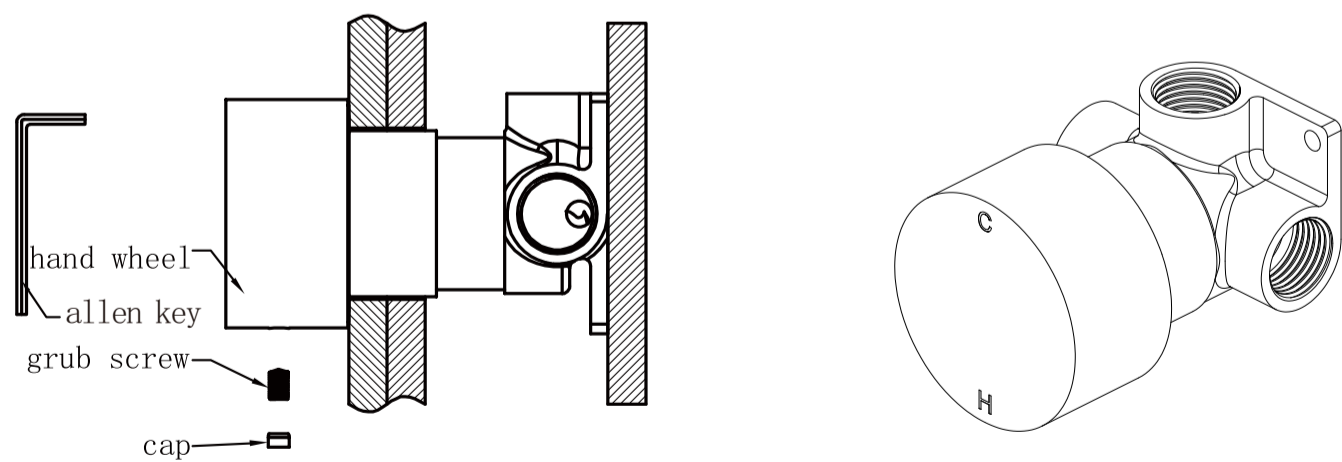
Installation Instruction For Trim Kits



1. Remove plastic sleeve.



2. Put cartridge bell onto body and do waterproof treatment for the gap between cartridge bell and plasterboard and ceramic tile.



3. Make hand wheel into connecting rod, turn the hand wheel counterclockwise to the end. Then reinstall the hand wheel, make the "C" should be on twelve o'clock direction and "H" on the six o'clock direction, according to above picture. Then tighten grub screw of hand wheel by allen key, put cap into hand wheel.

Nero

info@nerotapware.com.au
nerotapware.com.au

11-13 Buontempo Road
Carrum Downs Vic 3201

