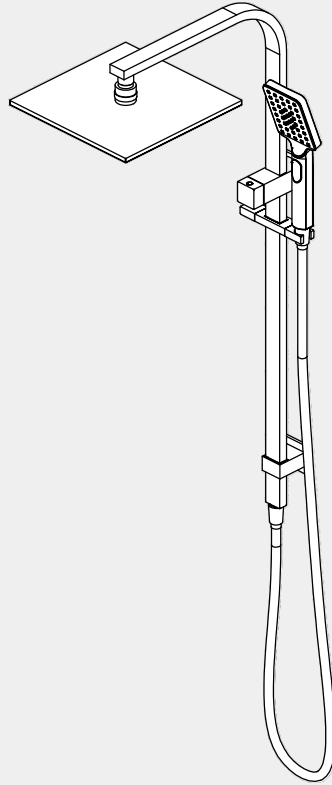


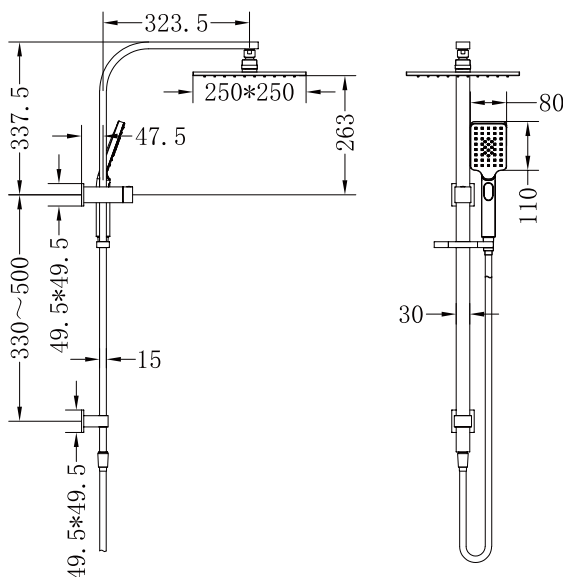
# Celia Twin Shower

# Nero



Versions:202401

## Drawing



## Specifications

### Watermark License

WM-060093

### Temperature Rating

Min 1°C-Max 75°C

### Pressure Rating

Min 150kpa - Max 500kpa

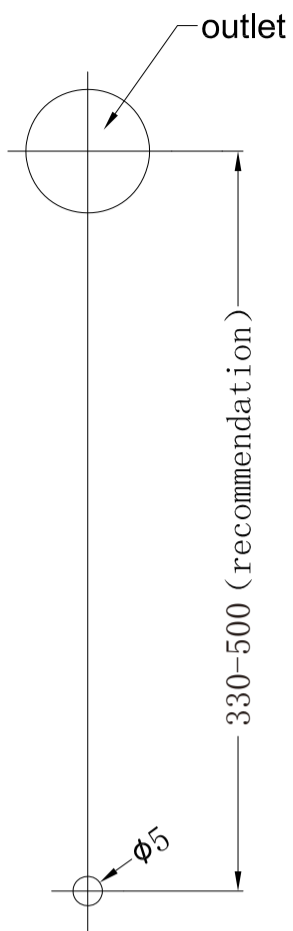
## Finish & SKU

- |   |   |
|---|---|
|  Brushed Nickel<br>NR301505cBN |  Gun Metal<br>NR301505cGM    |
|  Matte Black<br>NR301505cMB    |  Brushed Gold<br>NR301505cBG |

## Packaging Includes

- 1x Shower Arm
- 1x Shower Rail
- 1x Shower Head
- 1x Hand Shower (Built-In Check Valve)
- 1x 1.5m PVC Hose

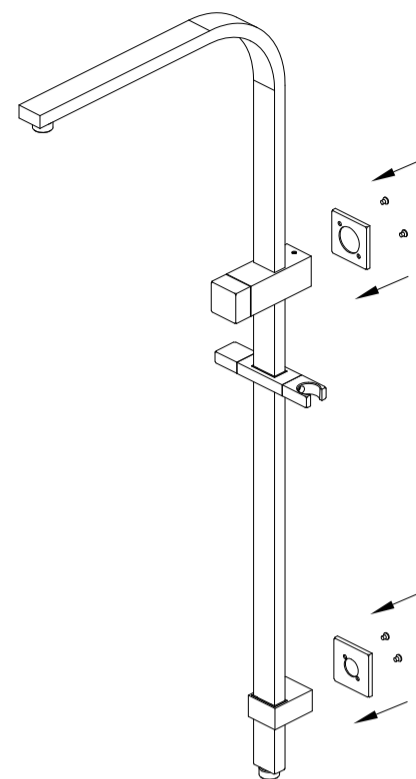
\*Dimensions are nominal measurements only.



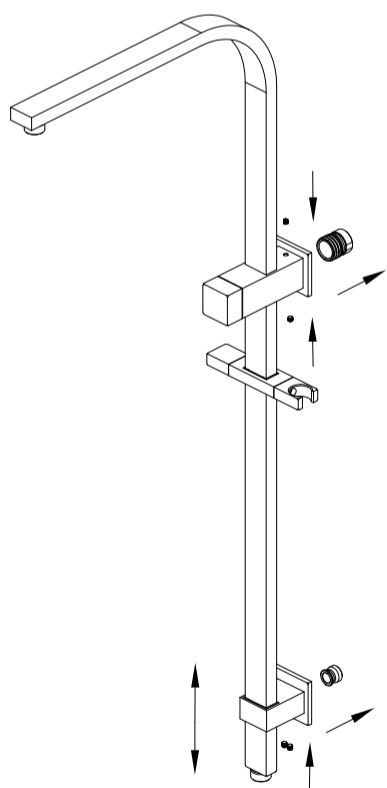
1. Drill a  $\phi 6$ mm hole at the outlet vertical downward position in the recommended range.



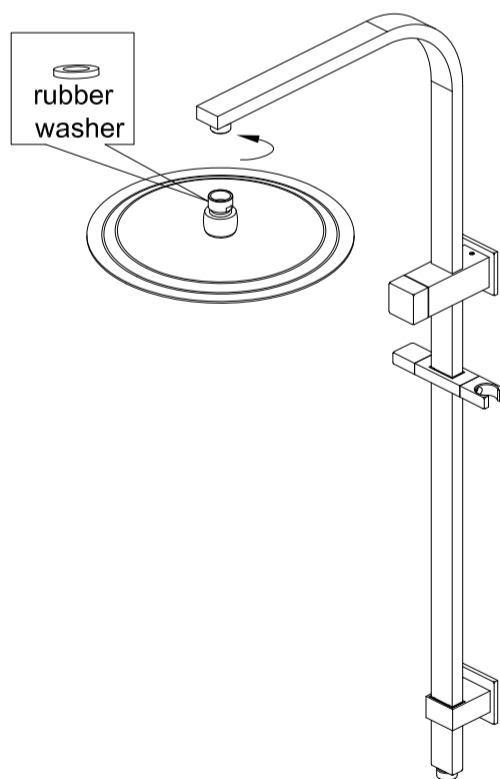
2. Screw the adapter on the outlet, and mount the bracket on the  $\phi 6$ mm hole by expansion plug and tapping screw.



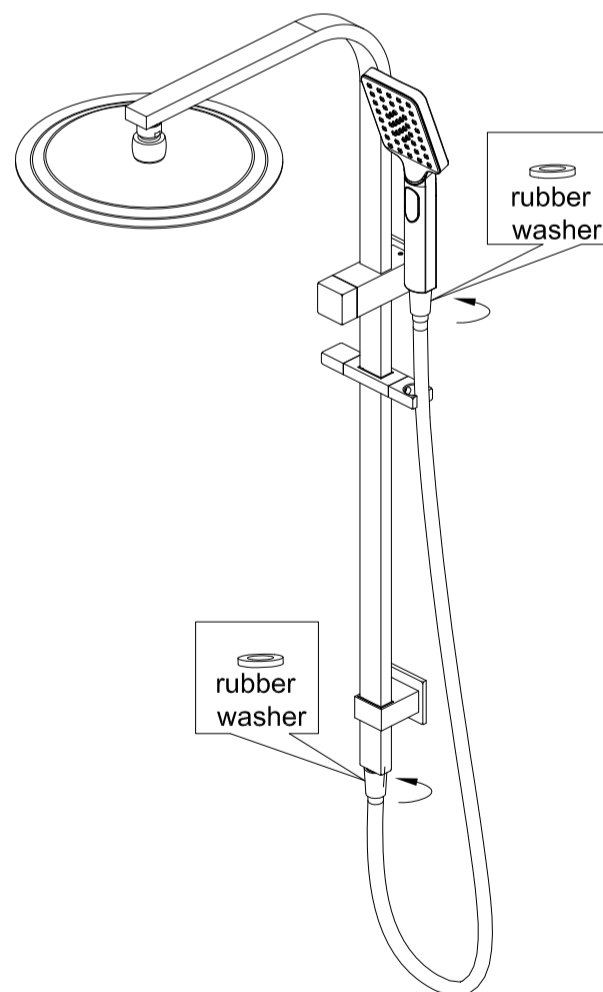
3. Screw the straight tube (with lower body) on diverter body, and then pull on the 2 dressing rings for both the diverter body and lower body.



4. Adjust lower body position, and put diverter body and lower body on to the outlet adapter and the bracket, then tighten grub screws by Allen key.



5. Screw on shower head.(note the rubber washer in the shower head.)



6. Screw shower hose to hand shower and shower rail.(note the rubber washers in the 2 joints of the shower hose).

# Nero

info@nerotapware.com.au  
nerotapware.com.au

11-13 Buontempo Road  
Carrum Downs Vic 3201

