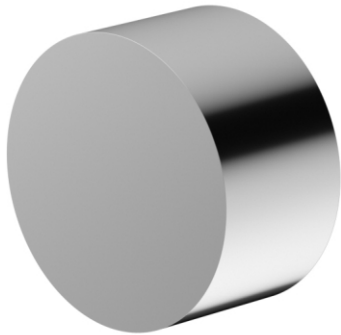






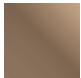
Kara Progressive Shower Mixer

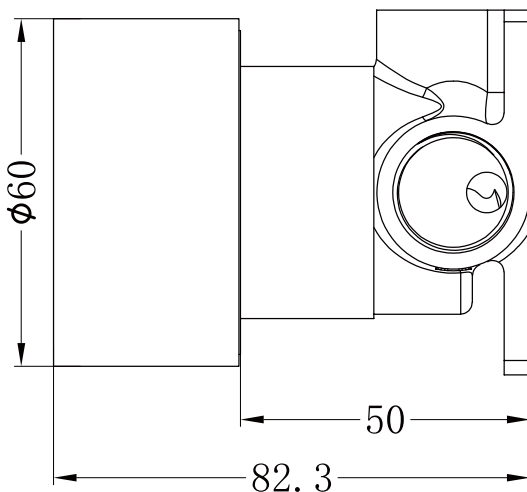


SPECIFICATION

WELS RATING	N/A
WATERMARK LICENSE	WM-060073
TEMPERATURE RATING	MIN 1°C-MAX 75°C
PRESSURE RATING	MIN 150KPa-MAX 500KPa

FINISH

	CHROME NR271909CH		MATTE BLACK NR271909MB
	BRUSHED NICKEL NR271909BN		GUN METAL NR271909GM
	BRUSHED GOLD NR271909BG		BRUSHED BRONZE NR271909BZ



Dimensions are nominal measurements only.

MAINTENANCE AND CARE

All surfaces should be cleaned with mild liquid detergent or soap and water.

Do not use cream cleaners or citrus based cleaning products, as they are abrasive.

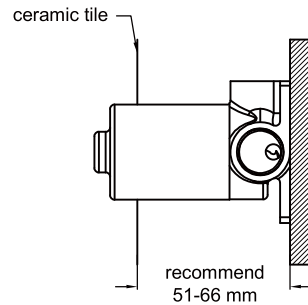
Use of unsuitable cleaning agents may damage the surface. Any damage caused in this way will not be covered by warranty.

PACKING INCLUDES

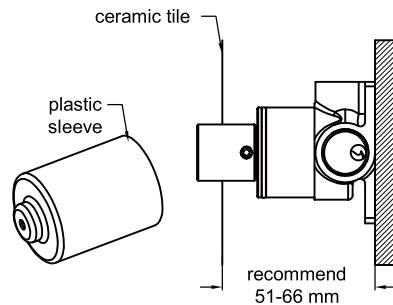
- 1x hand wheel
- 1x body
- 1x install kits



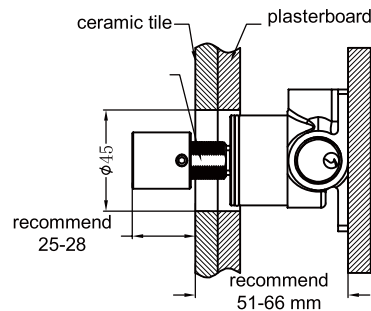
Installation Instruction For Body Only



1. Fix body on nogging and ensure installation depth is 51-66mm from nogging to ceramic tile.

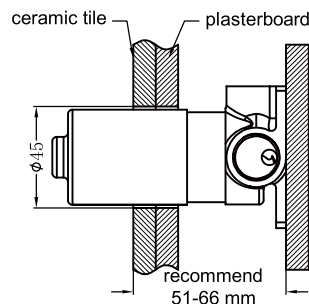


2. Take off plastic sleeve.



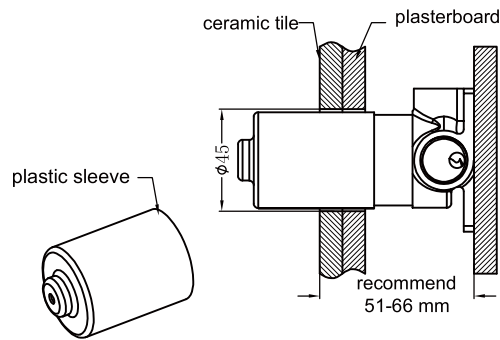
3. Adjust connecting rod and ensure depth is 25-28mm from the front of adaptor to ceramic tile.

Drill a $\phi 45$ hole on plasterboard and ceramic tile for the body, according to above picture. Then install plasterboard and do waterproof for the whole plasterboard. Install ceramic tile.

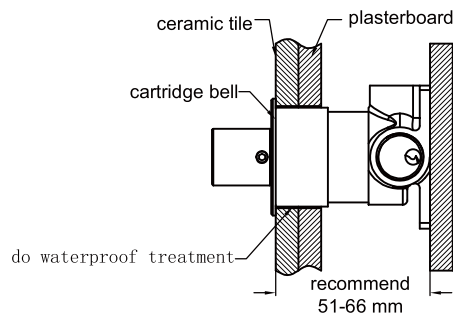


4. Install plastic sleeve back to the body.

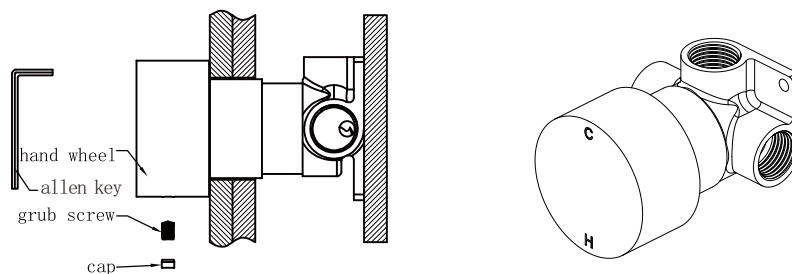
Installation Instruction For Trim Kits Only



1. Remove plastic sleeve.



2. Put cartridge bell onto body and do waterproof treatment for the gap between cartridge bell and plasterboard and ceramic tile.



3. Make hand wheel into connecting rod, turn the hand wheel counterclockwise to the end. Then reinstall the hand wheel, make the "C" should be on twelve o'clock direction and "H" on the six o'clock direction, according to above picture. Then tighten grub screw of hand wheel by allen key, put cap into hand wheel.