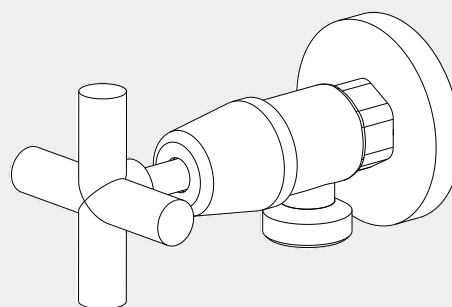
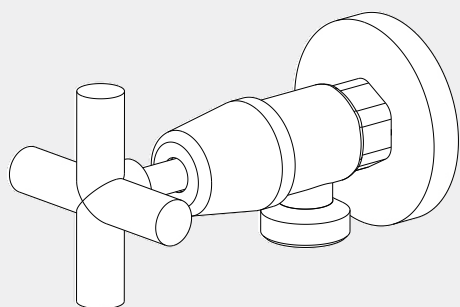


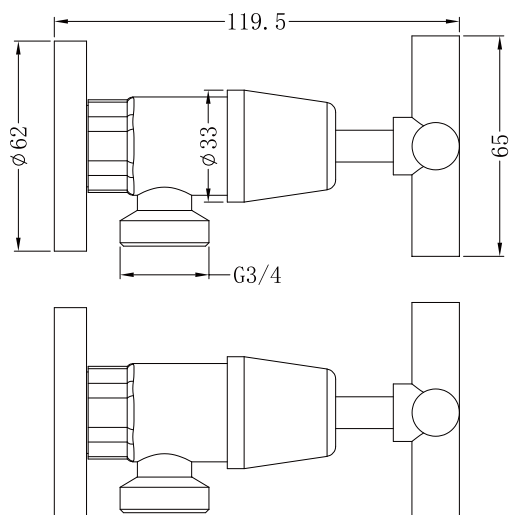
# X Plus Washing Machine Stops

# Nero



Versions:202401

## Top/Back



## Specifications

### Watermark License

WM-060073

### Temperature Rating

Min 1°C-Max 75°C

### Pressure Rating

Min 150kpa - Max 500kpa

## Finish & SKU

- Matte Black  
NR201609dMB

## Packaging Includes

2x Hand Wheels

\*Dimensions are nominal measurements only.

1

wrench

washing machine stops

washer

plate

ceramic tile

wall

G1/2

Please fixing on G<sub>2</sub><sup>1</sup> outlet in advance as picture.

2

plate

ceramic tile

wall

G1/2

1. Put plate onto the G<sub>2</sub><sup>1</sup> outlet.

3

washer

plate

ceramic tile

wall

G1/2

1. Put washer onto the G<sub>2</sub><sup>1</sup> outlet.

4

washing machine stops

ceramic tile

wall

1. Put washing machine stops onto the G<sub>2</sub><sup>1</sup> outlet, and adjust the rotation angle of it.

# Nero

[info@nerotapware.com.au](mailto:info@nerotapware.com.au)  
[nerotapware.com.au](http://nerotapware.com.au)

11-13 Buontempo Road  
Carrum Downs Vic 3201

