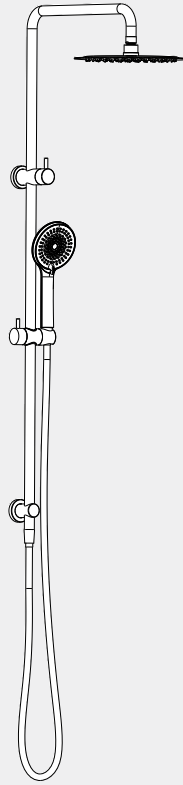


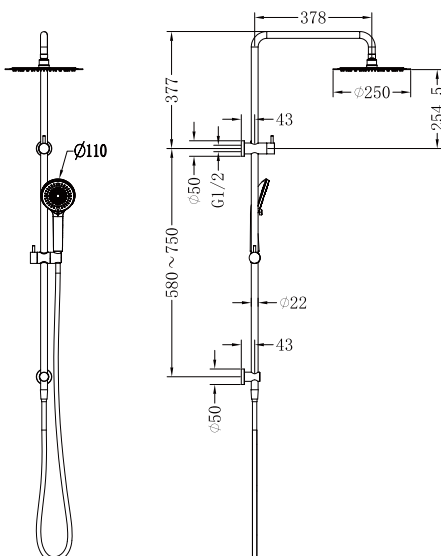
Round Project Twin Shower 4 Star Rating

Nero



Versions:202311

Drawing



Specifications

SKU

NR232105f

Watermark License

WM-060093

Temperature Rating

Min 1°C-Max 75°C

Pressure Rating

Min 150kpa - Max 500kpa

Finish



Chrome
NR232105fCH



Gun Metal
NR232105fGM



Brushed Nickel
NR232105fBN



Matte Black
NR232105fMB



Brushed Gold
NR232105fBG

Packaging Includes

- 1x Shower Arm
- 1x Shower Rail
- 1x Shower Head
- 1x Hand Shower (Built-In Check Valve)
- 1x 1.5m PVC Hose
- 1x Installation Kit

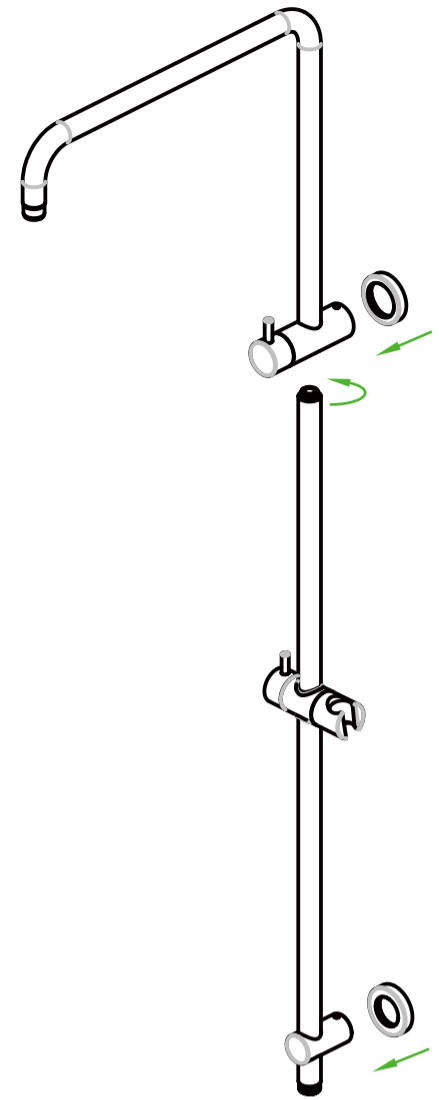
*Dimensions are nominal measurements only.



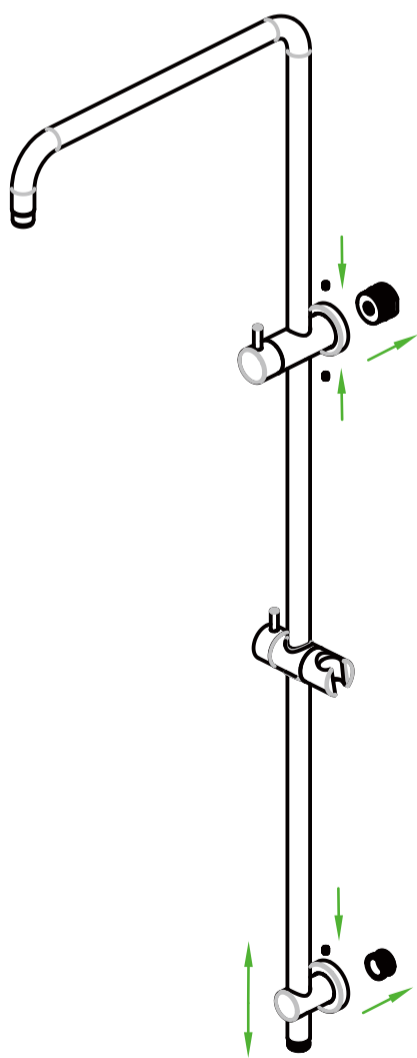
1. Drill a $\phi 6$ mm hole at the outlet vertical downward position in the recommended range.



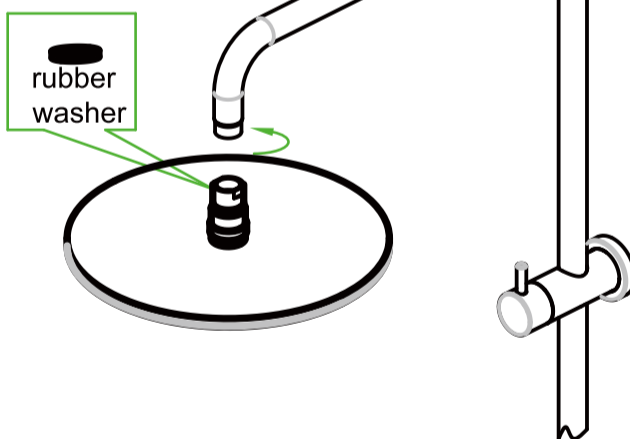
2. Screw the adapter onto the outlet. Push wall plug into drilled hole. Fit lower mounting pillar in place with screw. Tighten firmly.



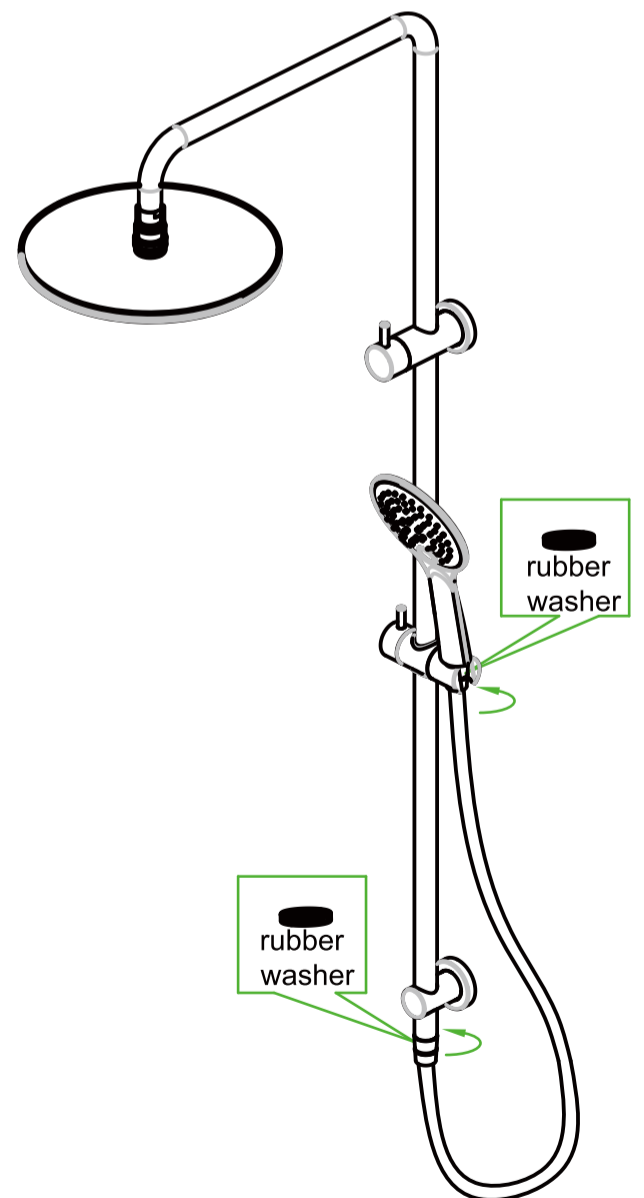
3. Screw shower rail into shower arm component. Tighten firmly. Push 2 back plates onto shower arm component and lower mounting pillar.



4. Locate and push shower rail assembly onto wall adapters. Tighten grub screws firmly with allen key provided. Slide the back plates against the wall/tile face properly.



5. Screw shower head to shower arm with care. (Note the rubber washer in the shower head.)



6. Please noted the rubber washer in the hand shower. Connect shower rail and hand shower with hose. **TEST & CHECK FOR LEAKS.**

Nero

info@nerotapware.com.au
nerotapware.com.au

11-13 Buontempo Road
Carrum Downs Vic 3201

