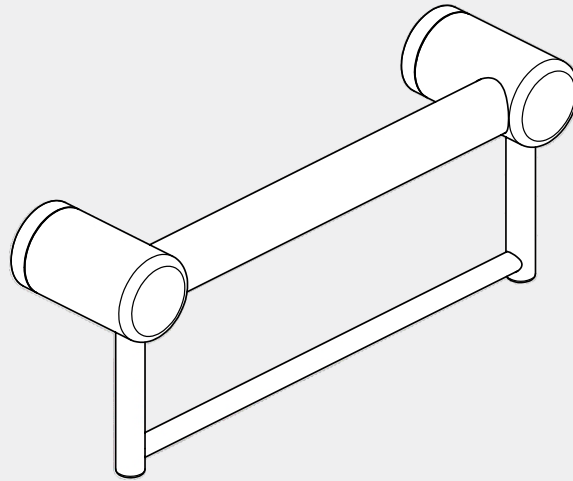


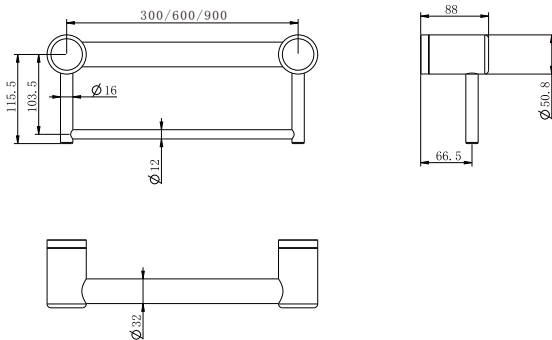
Mecca Care 32mm Grab Rail With Towel Holder 300/600/900mm

Nero



Versions:202311

Drawing



Specifications







SKU

300m Length:NRCR3212b
600m Length:NRCR3224b
900m Length:NRCR3230b

Warning:

These rails are designed to be mounted onto wall studs or masonry walls. Installation is recommended to be completed by qualified trades person who complies with the AS 1428.1-2009 design for access and mobility standard. It is recommended rail location is determined by a qualified occupational therapist or trained professional to the AS 1428.1-2009 standard. Correct installation is required to ensure safe, long term operation. Incorrect mounting can result in reduced capacity of the rail which can result in injury to user and damage to the wall.

Finish

 Chrome NRCR3212bCH/NRCR3224bCH NRCR3230bCH	 Gun Metal NRCR3212bGM/NRCR3224bGM NRCR3230bGM	 Brushed Bronze NRCR3212bBZ/NRCR3224bBZ NRCR3230bBZ
 Matte Black NRCR3212bMB/NRCR3224bMB NRCR3230bMB	 Brushed Gold NRCR3212bBG/NRCR3224bBG NRCR3230bBG	 Brushed Nickel NRCR3212bBN/NRCR3224bBN NRCR3230bBN

Features

1. Australian owned and designed.
2. Sizes: 300 -900mm lengths as standard.
3. Modular design, the rail to be mounted horizontally, vertically or at any angle and cut down to suit your bathroom.
4. 150kg capacity for all 25mm and 32mm diameter grab rails.
5. 32mm diameter rails are approved for standard AS1428.1 requirements in DDA bathrooms.
6. Gun metal, brushed gold and brushed bronze colours are PVD coated for long term durability.

*Dimensions are nominal measurements only.

Installation Instruction

<p>23mm 23mm make hole positions 23 300/600/900mm</p>	<p>1. Locate wall studs, install into at least one stud. Place wall seal/mounting bracket on wall at correct height over centre of stud and mark hole positions on wall (minimum 2 supplied screws per bracket).</p>
<p>wall plugs</p>	<p>2. Drill pilot holes into wall stud approximately 60mm deep to suit mounting screws (and wall plugs if required). Tip: 3mm hole for screws into timber or 8mm hole for wall plugs.</p>
	<p>3. Apply small amount of silicon to mounting bracket and wall in and around the screw holes.</p>
	<p>4. Install mounting brackets by screwing onto wall. Tip: Use appropriate mounting screws for the wall stud material, supplied screws are for timber wall studs.</p>
	<p>5. Slide rail tube into end bracket and push onto wall brackets. Tip: Rail length can be cut down to a smaller size, simply use an angle grinder, hacksaw or pipe cutter then deburr the end with a file or grinder and reinsert into the end bracket.</p>
	<p>6. Tighten grub screws with allen key. Tip: If rail rattles, loosen end bracket, twist slightly and tighten.</p>
<p>M4X90 M4X45</p>	<p>7. Using supplied allen key whilst holding the rail in place, screw the M4*90mm and M4*45mm into the grab rail till tight (according to left picture).</p>
	<p>8. Finished.</p>

Nero

info@nerotapware.com.au
nerotapware.com.au

11-13 Buontempo Road
Carrum Downs Vic 3201



**MECCA CARE
DDA CARE 32MM**