

Celia Bathroom Accessories

Versions:202311

Finish



Chrome



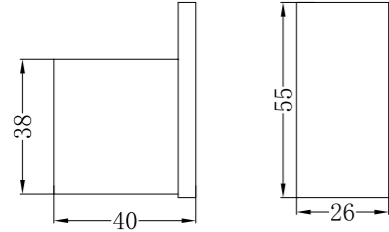
Matte Black



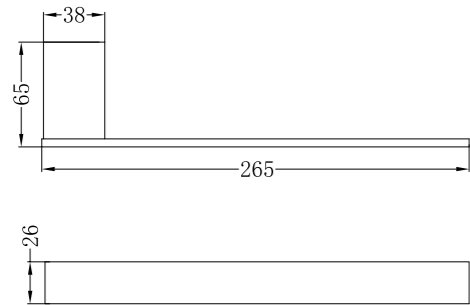
Brushed Nickel

Celia Bathroom Accessories

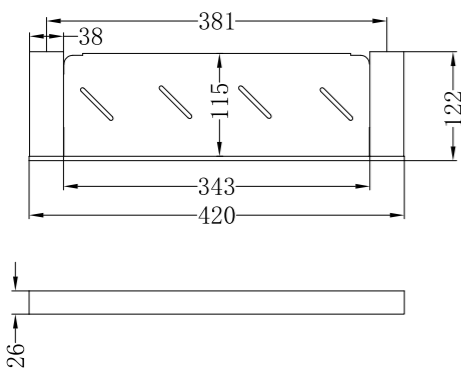
ROBE HOOK
NR4682CH / NR4682MB / NR4682BN



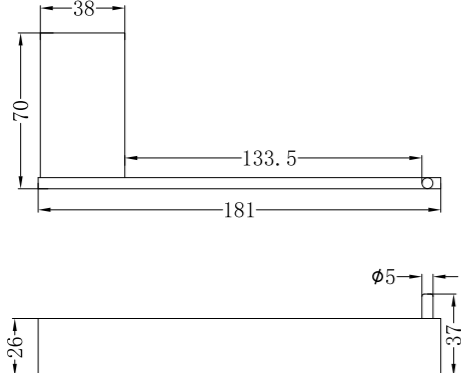
HAND TOWEL RAIL
NR4680CH / NR4680MB / NR4680BN



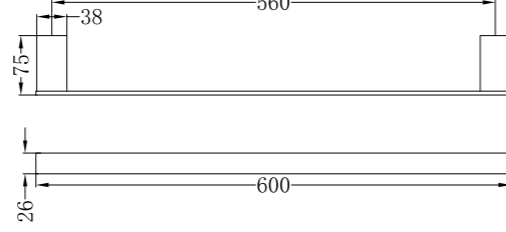
METAL SHELF
NR4687aCH / NR4687aMB / NR4687aBN



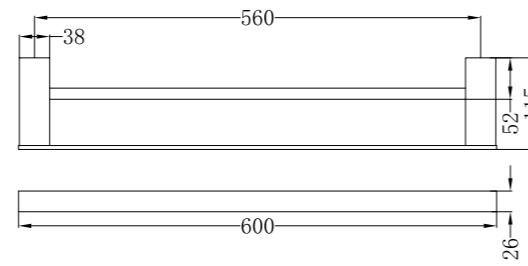
TOILET ROLL HOLDER
NR4686CH / NR4686MB / NR4686BN



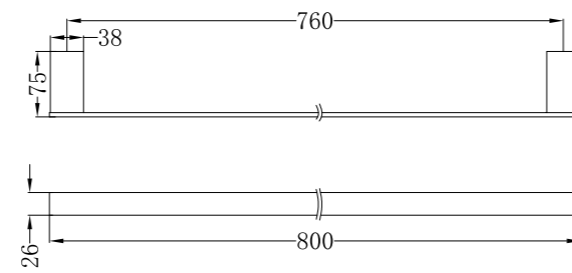
SINGLE TOWEL RAIL 600MM
NR4624CH / NR4624MB / NR4624BN



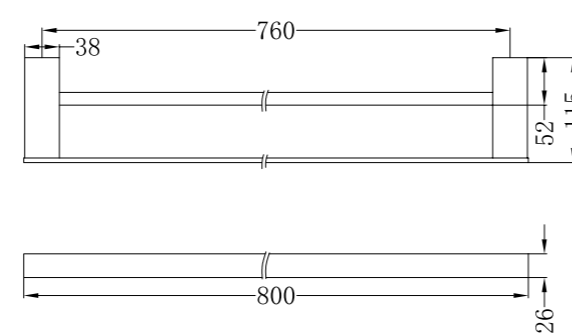
DOUBLE TOWEL RAIL 600MM
NR4624dCH / NR4624dMB / NR4624dBN



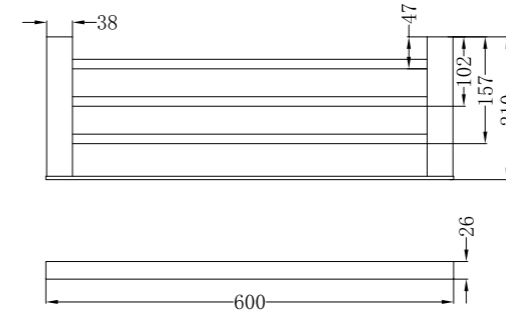
SINGLE TOWEL RAIL 800MM
NR4630CH / NR4630MB / NR4630BN



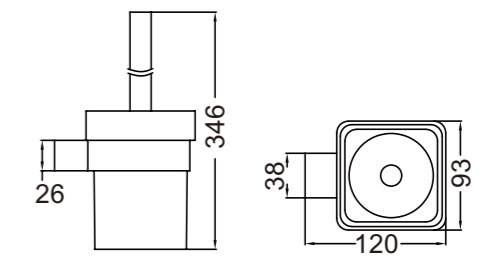
DOUBLE TOWEL RAIL 800MM
NR4630dCH / NR4630dMB / NR4630dBN



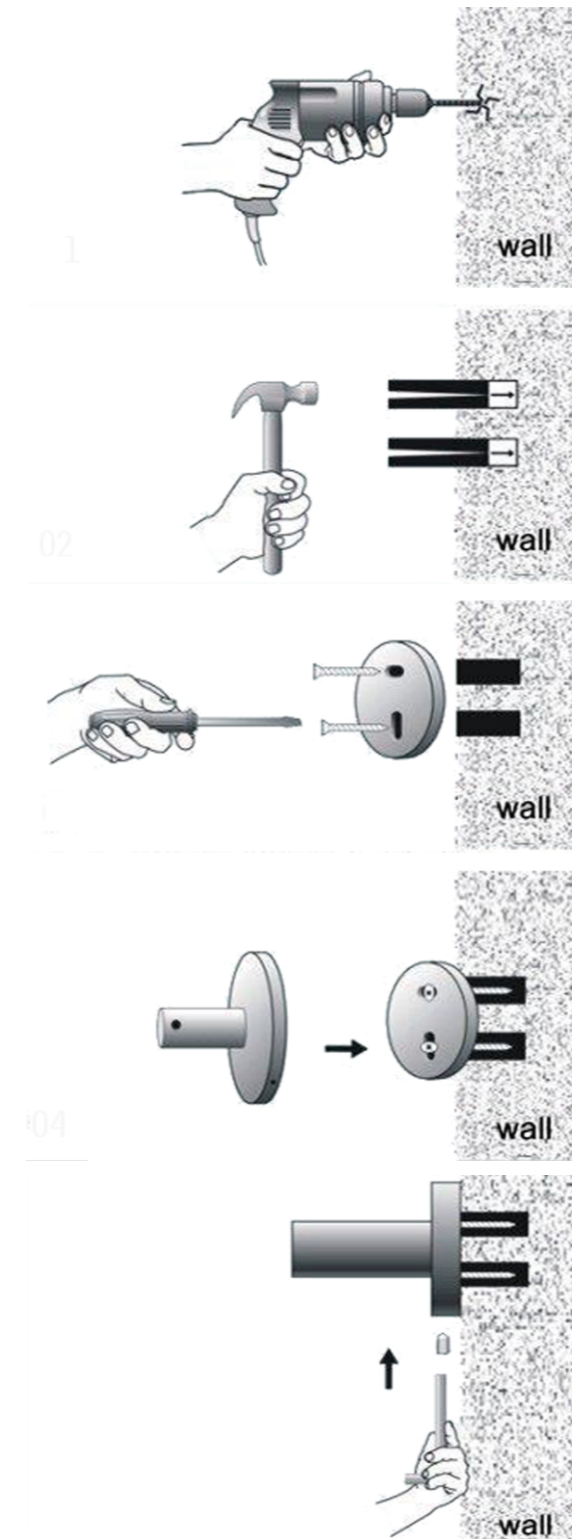
TOWEL RACK
NR4689CH / NR4689MB / NR4689BN



CELIA TOILET BRUSH HOLDER
NR4688CH/NR4688MB/NR4688BN



Installation Instruction



1. Put the fixing blocks (piece) over on the right place on the wall , and stay level, use marking pen through the holes of fixing block to mark out fixing spots on the wall. Then drill holes by electric hand drill with 6mm drilling bit on the spots.

2. Put the expansion plugs into the wall by hammer.

3. Put fixing block cover on the holes and fix firmly by expansion screws.

4. Put the base of bathroom accessory cover on the fixing blocks.

5. Screw grub screws into the base, make it against to the fixing block tight and firm.

Nero

info@nerotapware.com.au
nerotapware.com.au

11-13 Buontempo Road
Carrum Downs Vic 3201

