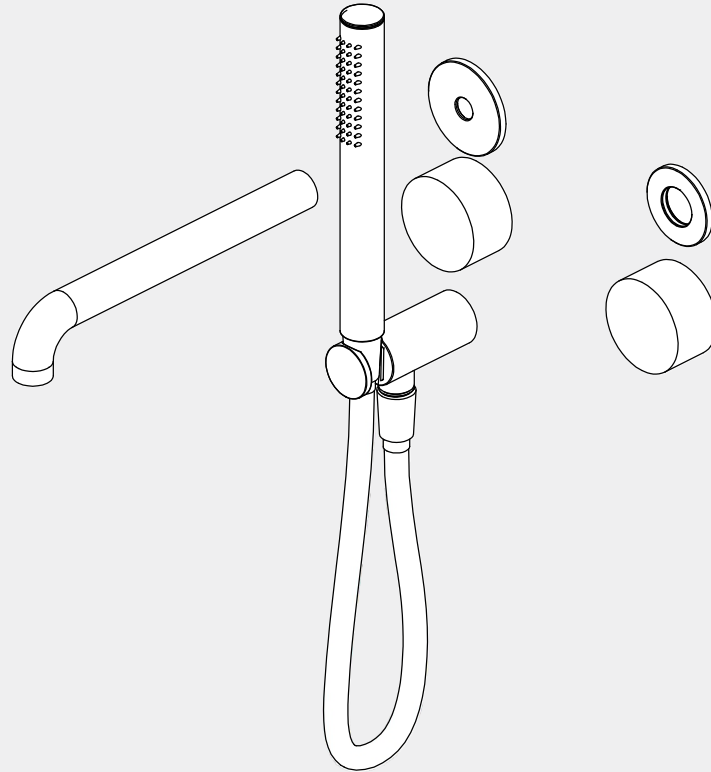


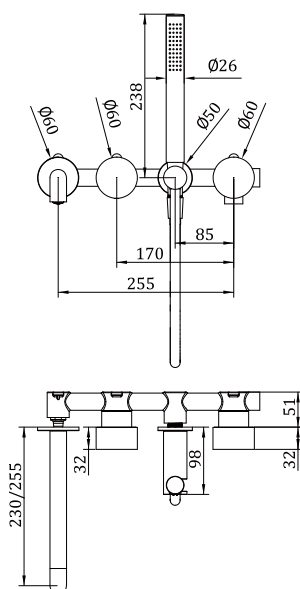
# Kara Progressive Shower System Separate Plate With Spout Trim Kits Only

# Nero



Versions:202401

## Drawing



## Specifications

**Watermark License**  
WM-060073

**Temperature Rating**  
Min 1°C-Max 75°C

**Pressure Rating**  
Min 150kpa - Max 500kpa

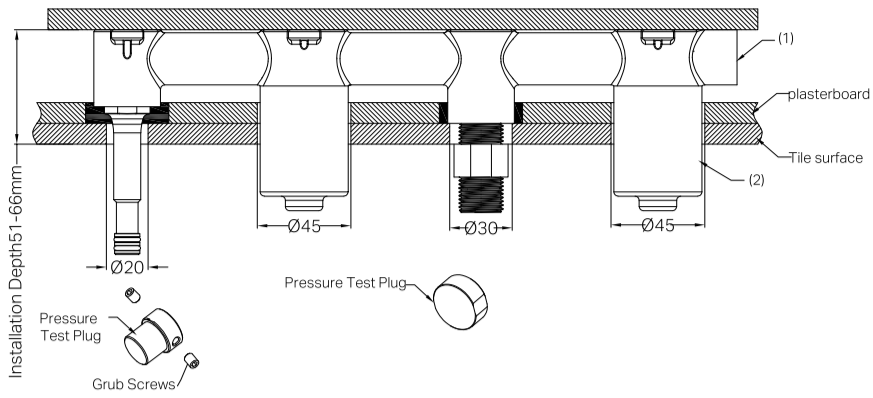
## Packaging Includes

- 2x Plates
- 1x Spout
- 1x Hand- Wheel
- 1x Diverter Knob
- 1x Hand Shower( Within Check- Valve)
- 1x 1m PVC Hose
- 1x Shower Bracket

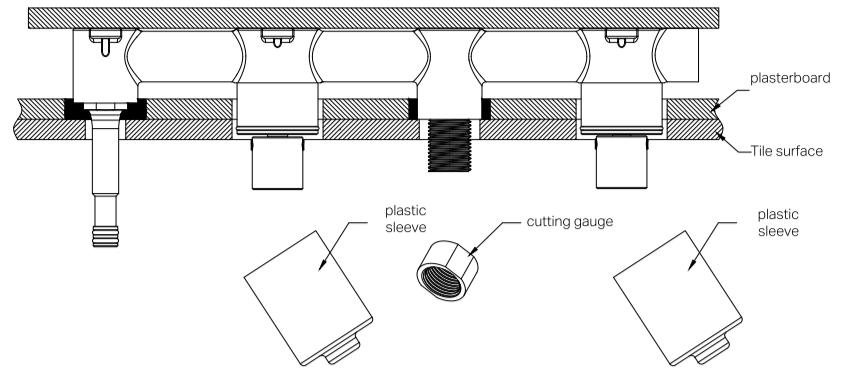
## Finish & SKU

- |  |   |   |
|--|---|---|
|  Chrome<br>NR271903b(230/250)tCH      |  Gun Metal<br>NR271903b(230/250)tGM    |  Brushed Bronze<br>NR271903b(230/250)tBZ |
|  Matte Black<br>NR271903b(230/250)tMB |  Brushed Gold<br>NR271903b(230/250)tBG |  Brushed Nickel<br>NR271903b(230/250)tBN |

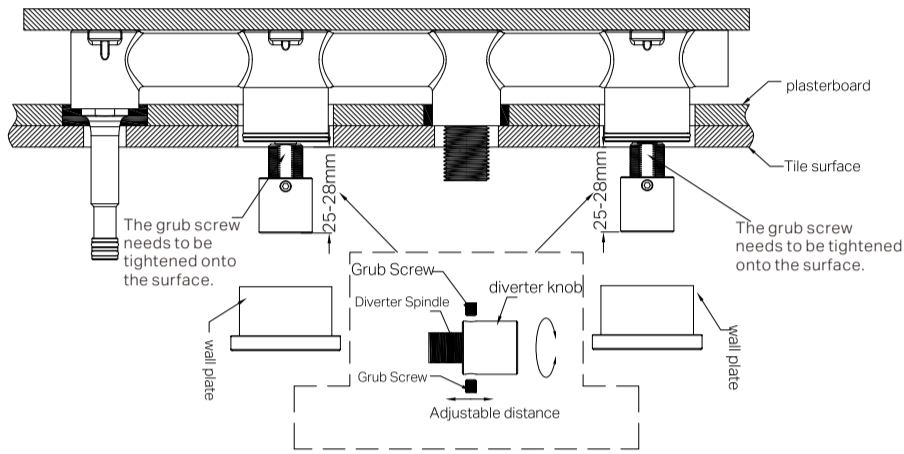
\*Dimensions are nominal measurements only.



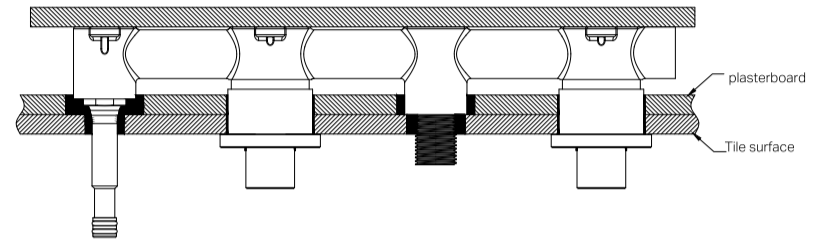
1. Install tiles and drill holes with diameters of Ø20, Ø45, Ø30, Ø45.
2. Remove the pressure test plug.
3. Assemble the cutting gauge onto the mixer body, make it flush with the tile surface, and trim off any excess part after assembly.



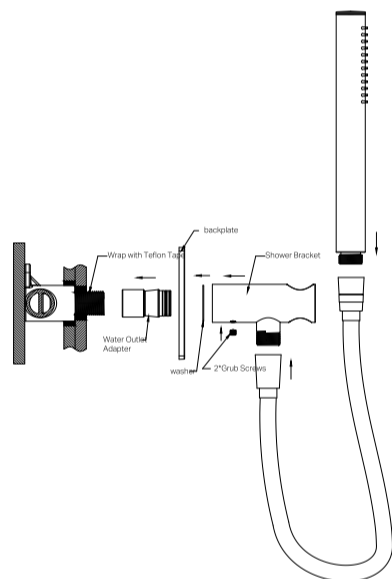
4. Remove the cutting gauge and protective sleeves.



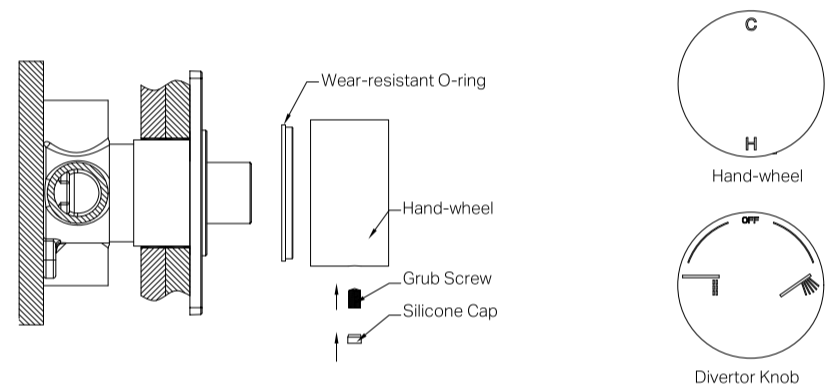
5. Adjust the distance between the Diverter knob and the tile surface to 25-28mm, as shown in the diagram.
6. Place the wall plate onto the mixer body.



7. Apply waterproofing in the gap between the ceramic tile and the water outlet.

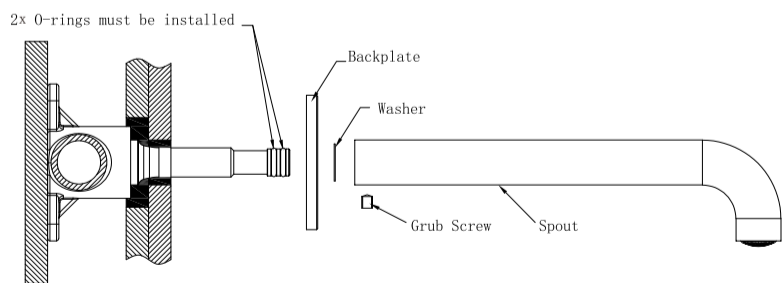


8. Thread the water outlet adapter onto the in-wall body, and seal with Teflon tape.
9. Assemble the Backplate, washer, and shower bracket onto the main body, then secure with screws.
10. Attach the shower hose and hand shower, securing them in place.

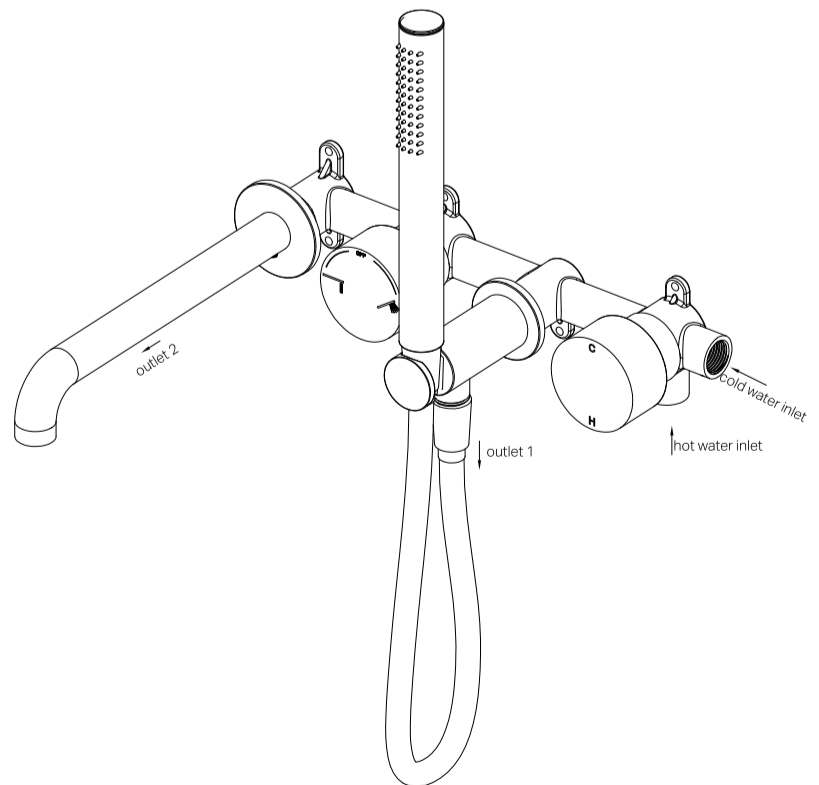


Follow step 11 to install the Hand-wheel and the Diverter Knob

11. Attach the wear-resistant O-ring, hand-wheel/ Diverter knob, grub screw, and silicone cap, securing them in place.



12. Assemble the backplate, washer, and spout onto the mixer body, then secure with grub screws.  
Please Note: Waterproofing is required.



13. Installation is now complete. Test for leaks.

# Nero

info@nerotapware.com.au  
nerotapware.com.au

11-13 Buontempo Road  
Carrum Downs Vic 3201

