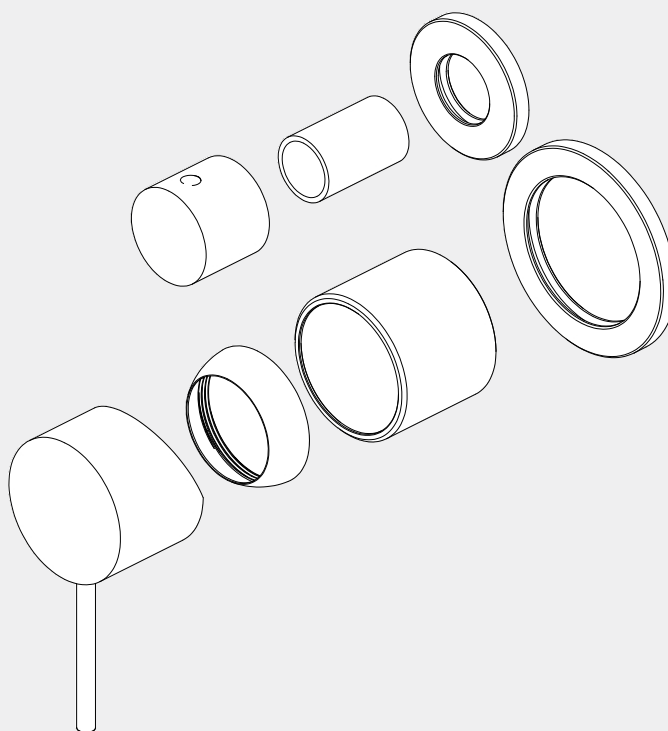


Mecca

Nero

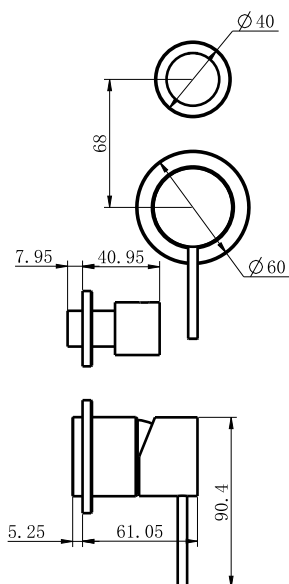
Shower Mixer With Divertor

Separate Back Plate Trim Kits Only



Versions:202401

Drawing



Specifications

Watermark License

WM-060073

Temperature Rating

Min 1°C - Max 75°C

Pressure Rating

Min 150kpa - Max 500kpa

Packaging Includes

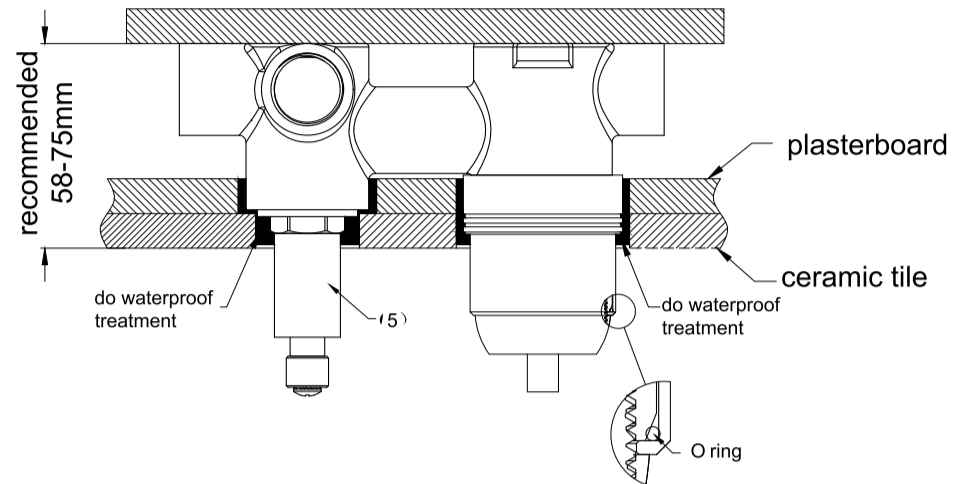
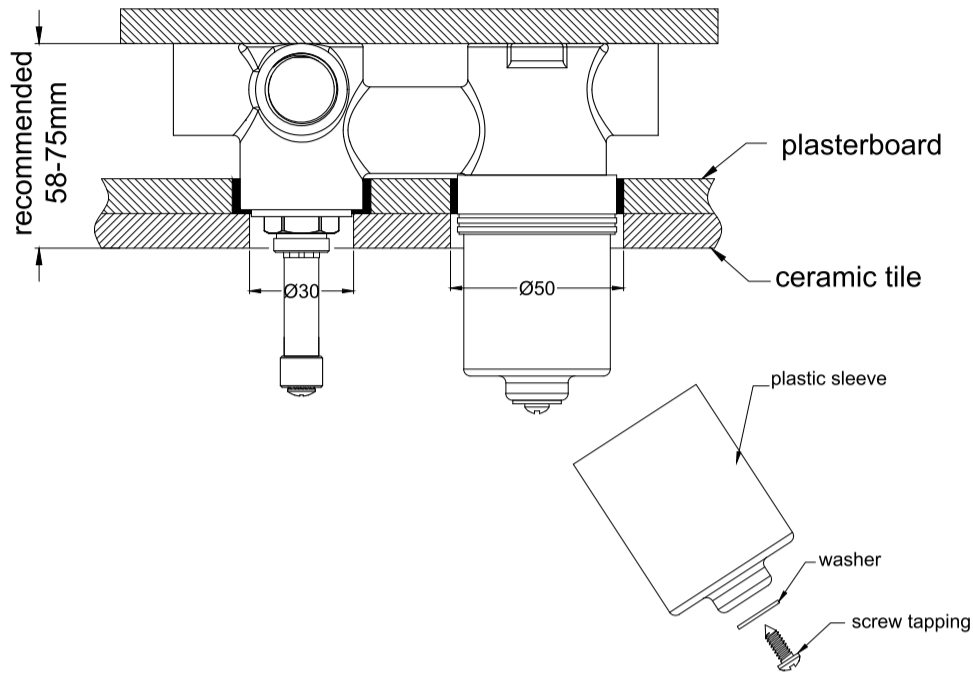
2x Plates
1x Handle
1x Knob
1x Sleeve
1x Cartridge Bell
1x Dressing Ring

Finish & SKU

 Chrome NR221911stCH	 Gun Metal NR221911stGM	 Brushed Bronze NR221911stBZ	 Brushed Nickel NR221911stBN
 Matte Black NR221911stMB	 Brushed Gold NR221911stBG	 Matte White NR221911stMW	

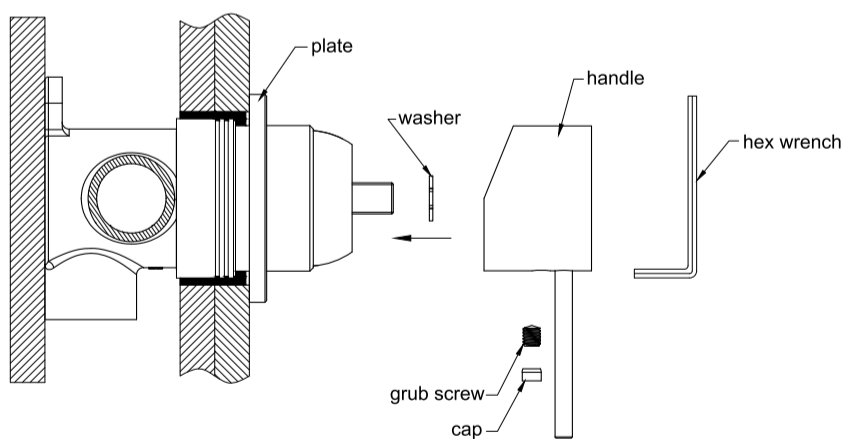
*Dimensions are nominal measurements only.

Installation Instruction For Trim Kits Only

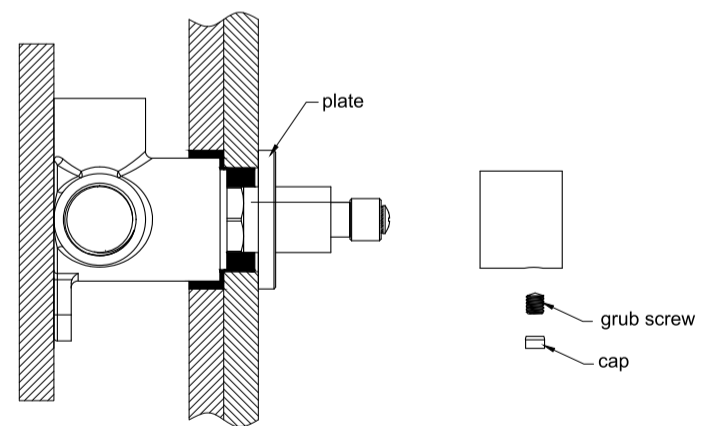


1. Drill a $\phi 50\text{mm}$ and a $\phi 30\text{mm}$ hole in the ceramic tile, then position it as shown in the above diagram.
2. Undo the self-tapping screw to remove the plastic sleeve.

3. Insert the O ring to the dressing bell groove, and slide the cartridge bell onto cartridge and slide diverter dressing bell onto diverter cartridge.
4. Apply waterproof treatment to the area indicated in the diagram above.
5. Tighten up the dressing ring on the cartridge bell.



6. Slide the backplates onto body.
7. Attach the washer to cartridge rod, position the handle, tighten it with a grub screw using an Allen key, and cap the grub screw hole.



8. Put knob onto diverter cartridge, tighten it with grub screw using Allen key, and cap the grub screw hole.

Nero

info@nerotapware.com.au
nerotapware.com.au

11-13 Buontempo Road
Carrum Downs Vic 3201

