

Opal Progressive Wall Basin Set



SPECIFICATION

WELS RATING	5 STAR 6L/MIN
WATERMARK LICENSE	WM-060073
TEMPERATURE RATING	MIN 1°C-MAX 75°C
PRESSURE RATING	MIN 150KPa-MAX 500KPa

FINISH

	BRUSHED NICKEL NR252007a (120/160/185/230/260) BN
	BRUSHED GOLD NR252007a (120/160/185/230/260) BG
	GRAPHITE NR252007a (120/160/185/230/260) GR
	BRUSHED BRONZE NR252007a (120/160/185/230/260) BZ

MAINTENANCE AND CARE

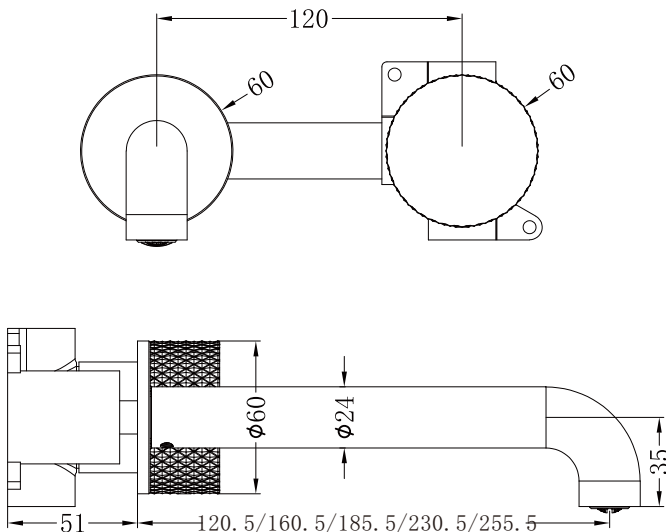
All surfaces should be cleaned with mild liquid detergent or soap and water.

Do not use cream cleaners or citrus based cleaning products, as they are abrasive.

Use of unsuitable cleaning agents may damage the surface. Any damage caused in this way will not be covered by warranty

PACKING INCLUDES

- 1x spout
- 1x plate
- 1x hand wheel
- 1x body
- 1x install kits

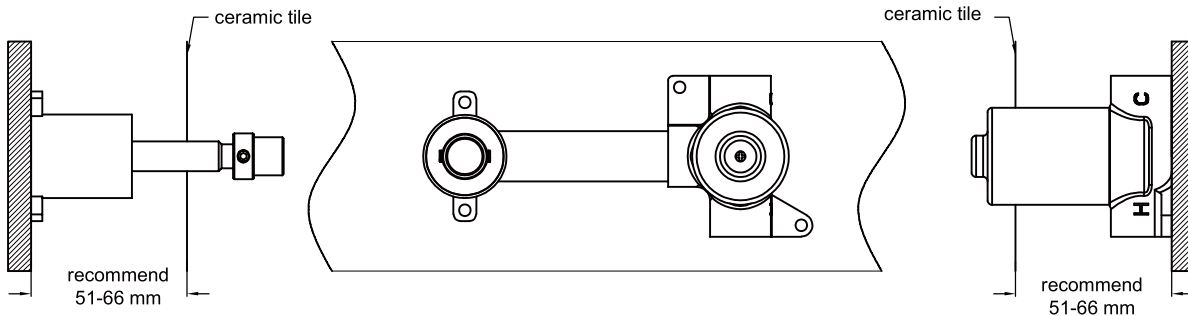


Dimensions are nominal measurements only.

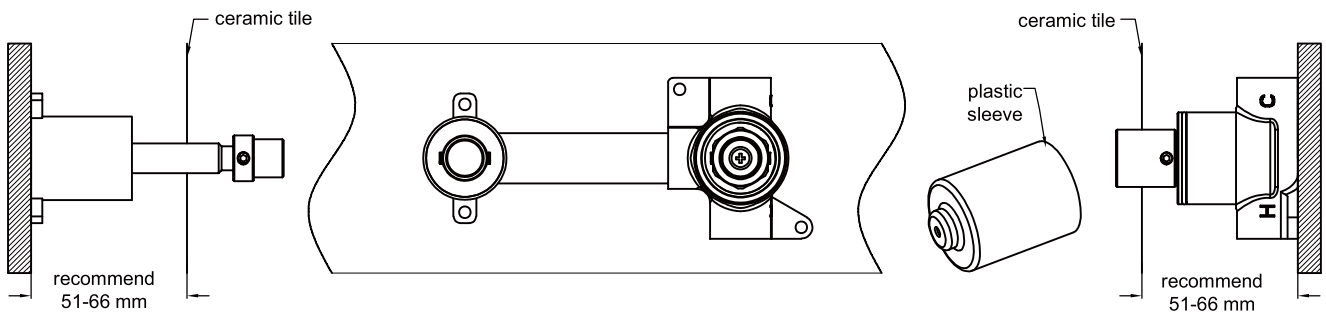


Versions: V2

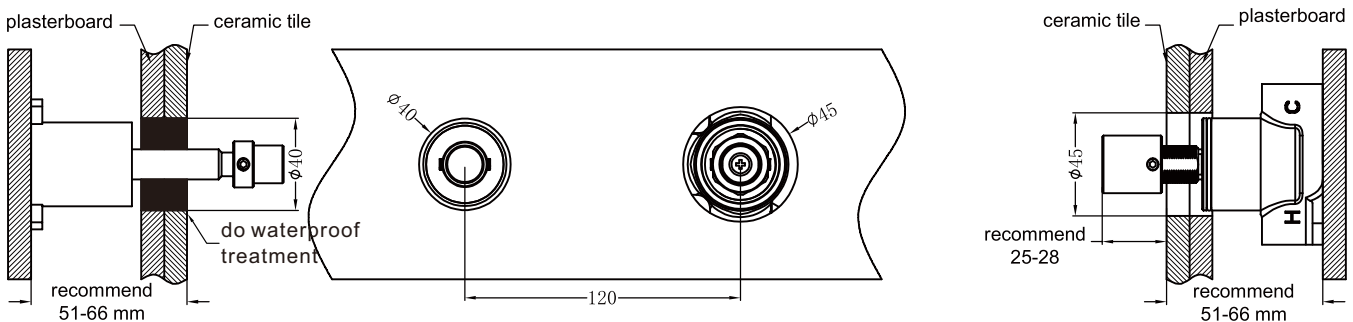
Installation Instruction For Body Only



1. Fix body on nogging and ensure installation depth is 51-66mm from nogging to ceramic tile.

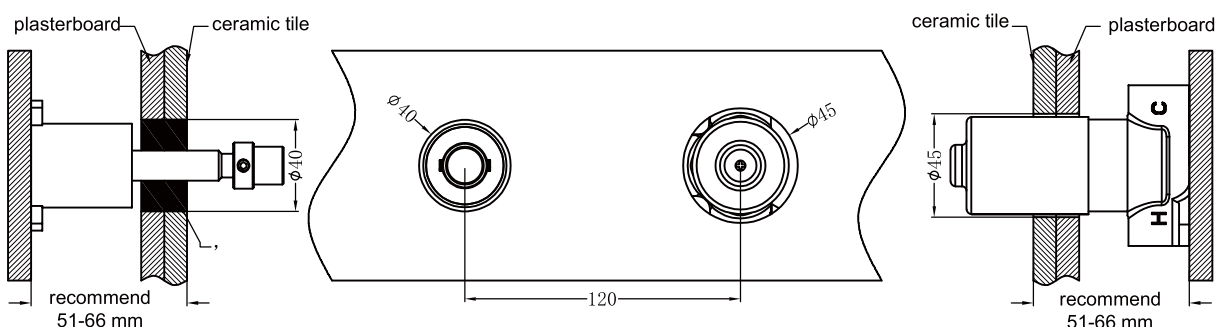


2. Connect cold water hose and hot water hose, take off plastic sleeve and conduct water pressure test for leak.



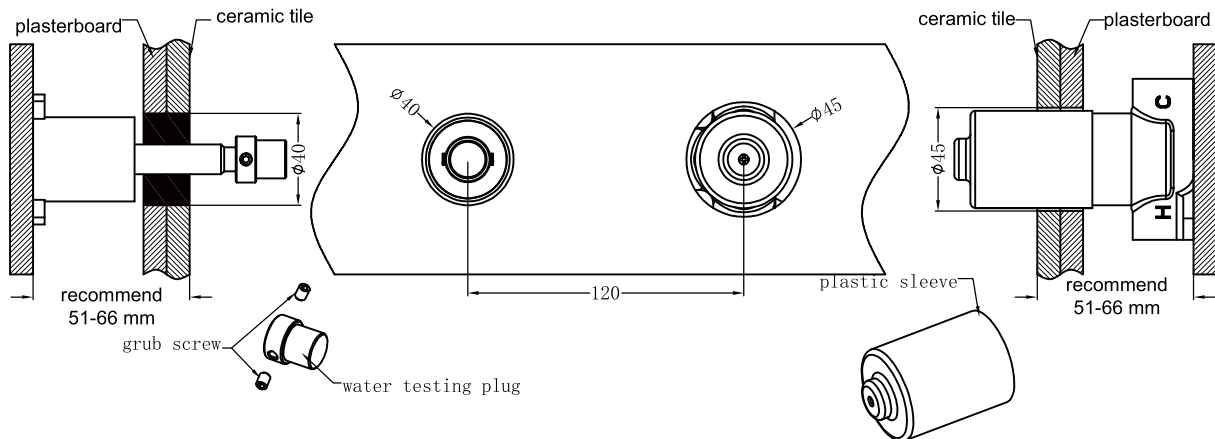
3. Adjust connecting rod and ensure depth is 25-28mm from the front of adaptor to ceramic tile.

Drill a $\phi 45$ and a $\phi 40$ holes on plasterboard and ceramic tile for the body, according to above picture. Then install plasterboard and do waterproof for the whole plasterboard. Install ceramic tile and do waterproof for the gap between spout outlet and plasterboard and ceramic tile.

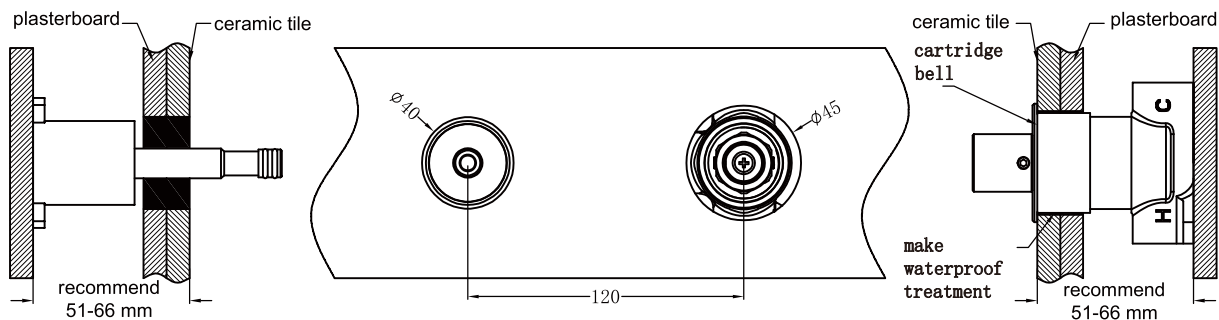


4. Install plastic sleeve back to the body.

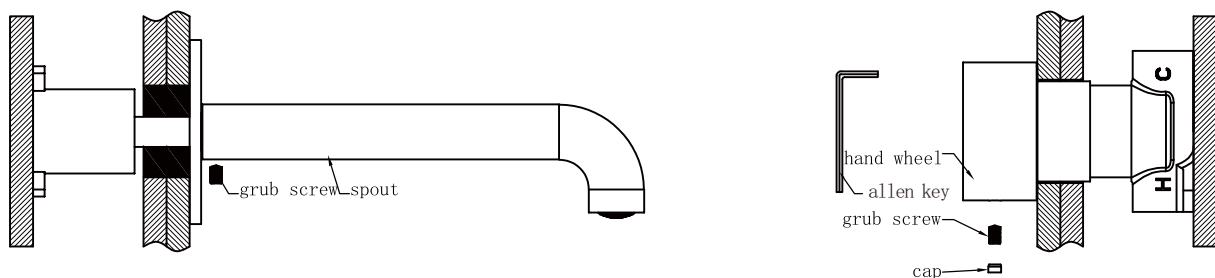
Installation Instruction For Trim Kits Only



1. Remove plastic sleeve, grub screw and water testing plug.



2. Put cartridge bell onto body and do waterproof treatment for the gap between cartridge bell and plasterboard and ceramic tile.



3. Put plate, washer and spout onto body successively, tighten grub screw of spout firmly by allen key.

4. Make hand wheel into connecting rod, turn the hand wheel counterclockwise to the end. Then reinstall the hand wheel, make the "C" should be on twelve o'clock direction and "H" on the six o'clock direction, according to above picture. Then tighten grub screw of hand wheel by allen key, put cap into hand wheel.

