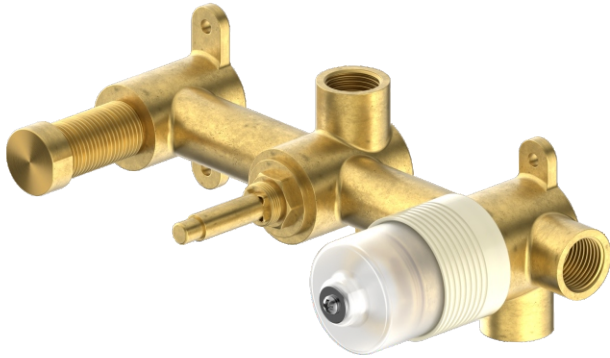


## Premium 35mm Universal Shower System Body Only

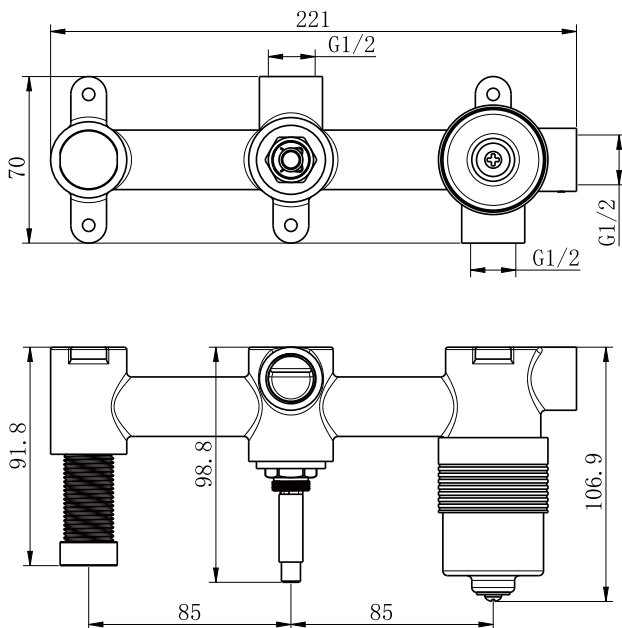


### SPECIFICATION

SKU	NRUB004P
WATERMARK LICENSE	WM-060073
TEMPERATURE RATING	MIN 1°C-MAX 75°C
PRESSURE RATING	MIN 150KPa-MAX 500KPa

### PACKING INCLUDES

- 1x mixer body

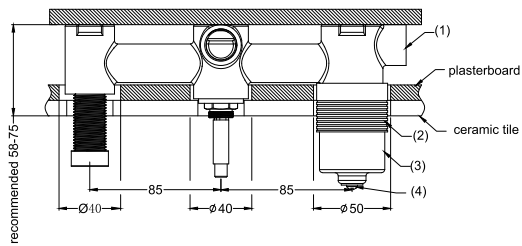


Dimensions are nominal measurements only.

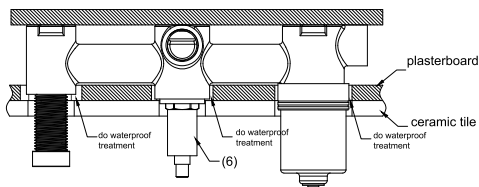
**Notes: Only Compatible for use with all Mecca Shower System**



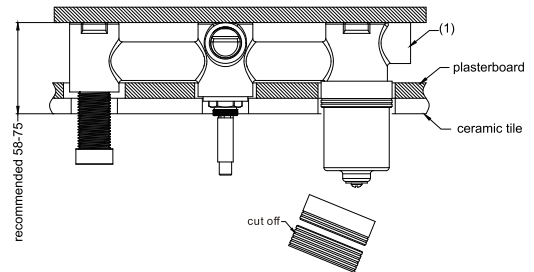
## Installation Instruction For Body



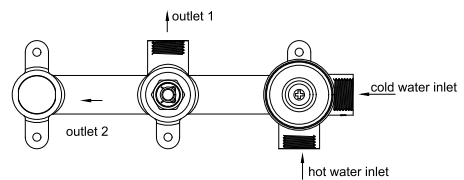
1. Fix body on noggin and ensure install depth is 58-75mm from noggin to ceramic tile.
2. Connect cold water hose and hot water hose and conduct water pressure test for leakage.
3. Install gypsum board and ceramic tile after drilling a  $\text{Ø}50$  and two  $\text{Ø}40$  holes according to above picture.



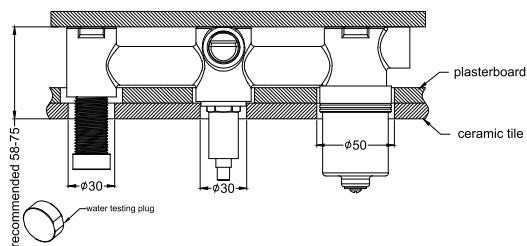
7. Install dressing bell (6) onto diverter cartridge, do waterproof treatment for gap of plasterboard and body.
8. Finish.



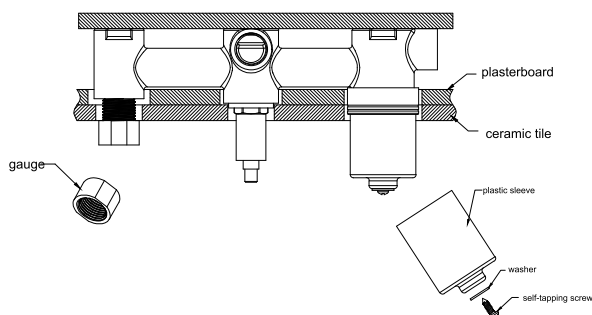
4. Make a mark on plastic sleeve (2) at 4-7cm from ceramic tile surface to body.
5. Remove self-tapping screw, washer and plastic sleeve, and cut off the plastic sleeve from the mark.
6. Install self-tapping screw, washer and plastic sleeve successively.



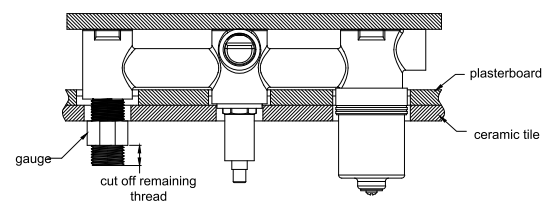
## Installation Instruction for Shower System trim kits



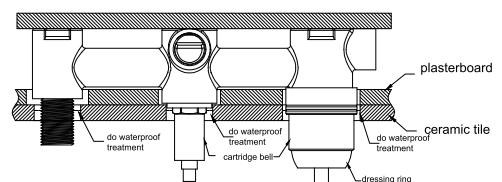
1. Install ceramic tile after drilling a  $\text{Ø}50$  hole and two  $\text{Ø}30$  holes.
2. Take off water testing plug.



4. Take off gauge, self-tapping screw, washer and plastic sleeve successively.

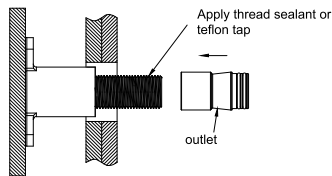


3. Put gauge onto outlet successively as above picture. Cut off remaining thread against to the cut of gauge.

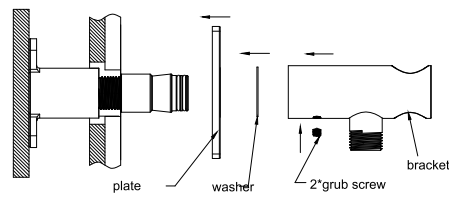


5. Install two cartridge bells according to above picture.
6. Do waterproof treatment for gap of ceramic tile and cartridge bells.
7. Screw dressing ring onto body.

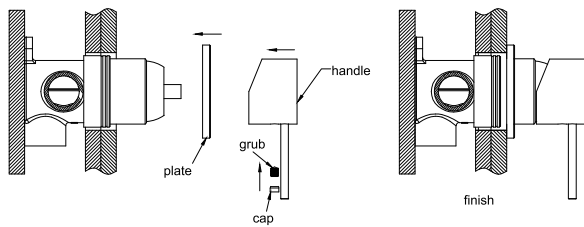
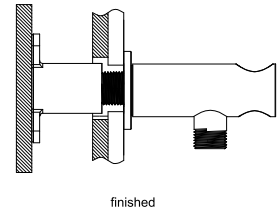
## Installation Instruction For Trim Kits



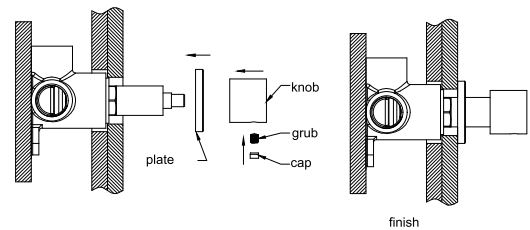
8. Apply thread sealant or teflon tap on outlet thread, tighten outlet onto outlet thread by wrench.



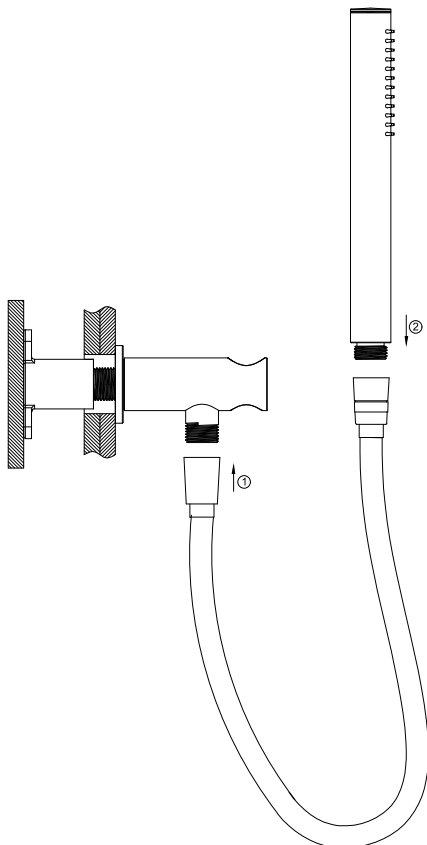
9. Install plate, washer, bracket onto body successively according to above picture.



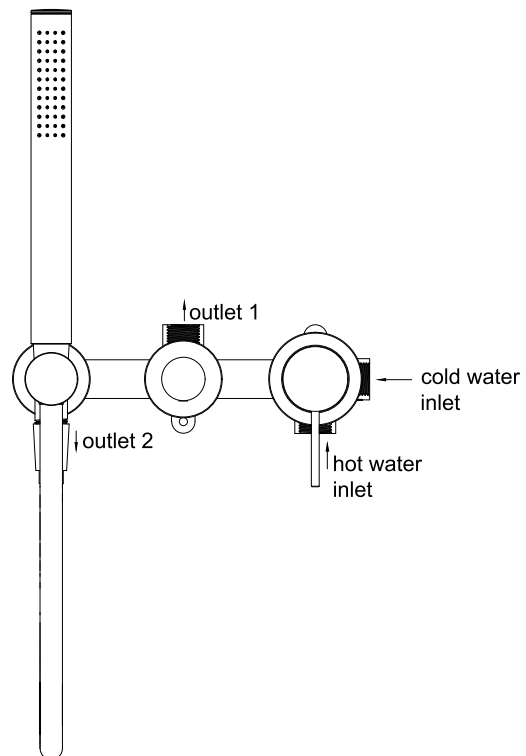
10. Install plate, handle successively according to above picture.



11. Install plate, knob successively according to above picture.



12. Connect bracket and hand shower with hose.



13. TEST & CHECK FOR LEAKS.