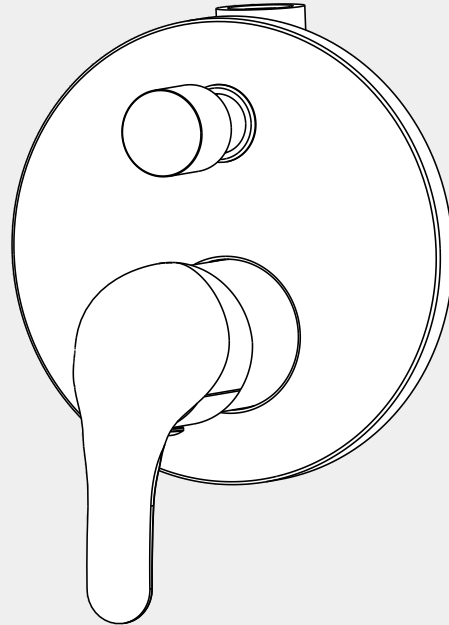


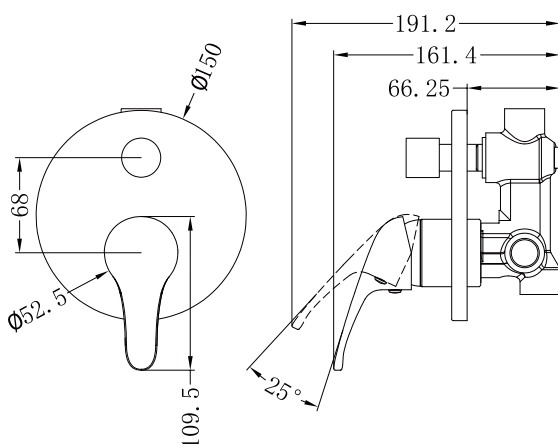
Classic Shower Mixer With Divertor

Nero



Versions:202401

Drawing



Specifications

Watermark License

WM-060073

Temperature Rating

Min 1°C - Max 75°C

Pressure Rating

Min 150kpa - Max 500kpa

Finish & SKU

Chrome
NR110009aCH

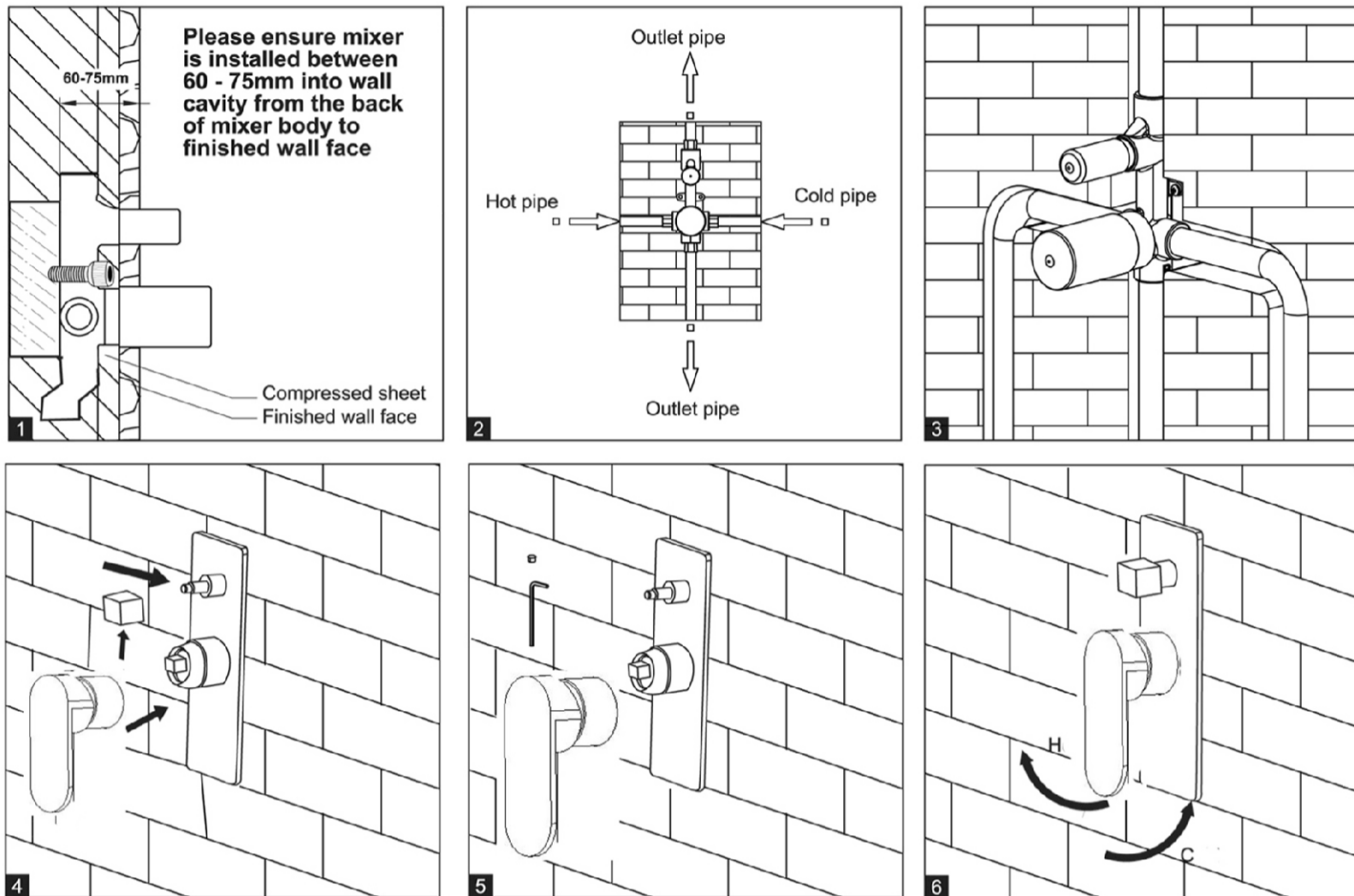
Packaging Includes

1x Body Set
1x Plate
1x Handle
1x Diverter
1x Installation Kit

*Dimensions are nominal measurements only.

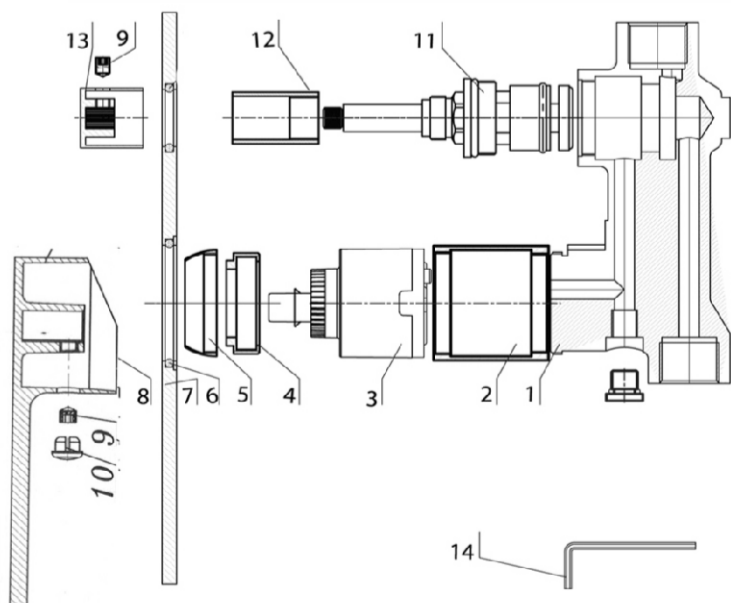
Installation Instruction

IMPORTANT: Read all instructions before installing.



1. Install mixer body into wall cavity. Refer to diagram 1 above for setting depth of mixer body in relation to finished wall face.
2. Connect all pipe work as per diagram 2 above.
3. Pressure test for leaks, then proceed to waterproof installation.
4. Remove protective sleeve and install decorator plate.
5. Install handle and diverter knob.
6. Operate mixer diverter.

EXPLOSIVE VIEW



1. Body
2. Mixer body
3. Cartridge
4. Retaining nut
5. Cartridge cover
6. O-ring
7. Backing plate
8. Handle
9. Grub screw
10. Cap
11. Diverter
12. Diverter sleeve
13. Diverter knob
14. Allen key

To remove cartridge

⚠ First shut off the water supply to the tap.

- 1: Remove cap from the handle.
- 2: Loosen the grub screw in handle, but do not remove it.
- 3: Take off the handle, unscrew the cartridge cover.
- 4: Using a correct size spanner unscrew the retaining nut.
- 5: Pull the cartridge out.
- 6: Replace cartridge and reassemble mixer.

Nero

info@nerotapware.com.au
nerotapware.com.au

11-13 Buontempo Road
Carrum Downs Vic 3201

