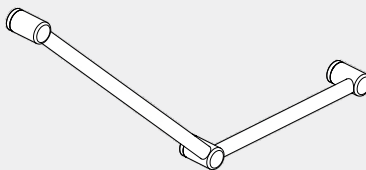


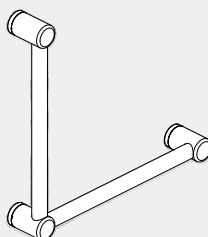
# Mecca Care 32mm Ambulant Toilet Grab Rail 45 /90 Degree

# Nero

45 degree

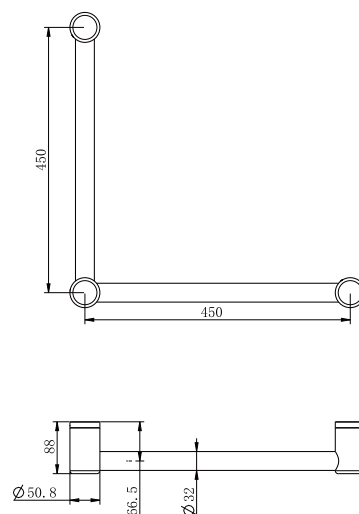
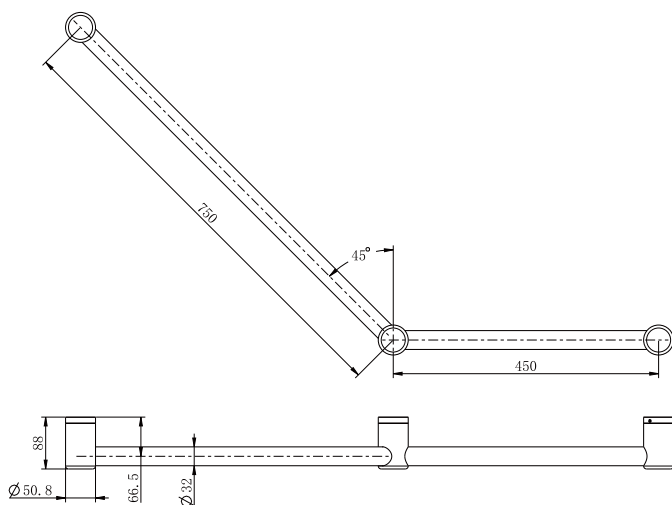


90 degree



Versions:202401

## Drawing



## Warning:

These rails are designed to be mounted onto wall studs or masonry walls. Installation is recommended to be completed by qualified trades person who complies with the AS 1428.1-2009 design for access and mobility standard. It is recommended rail location is determined by a qualified occupational therapist or trained professional to the AS 1428.1-2009 standard. Correct installation is required to ensure safe, long term operation. Incorrect mounting can result in reduced capacity of the rail which can result in injury to user and damage to the wall.

## Features

1. Australian owned and designed.
2. Sizes: 45 / 90 degree as standard.
3. Can be mounted on left or right hand side.
4. Optional add on toilet roll holder attaches to the 32mm rail
5. Modular design, the rail to be mounted horizontally, vertically or at any angle and cut down to suit your bathroom.
6. 150kg capacity for all 25mm and 32mm diameter grab rails.
7. 32mm diameter rails are approved for standard AS1428.1 requirements in DDA bathrooms.
8. Gun metal, brushed gold and brushed bronze colours are PVD coated for long term durability.

## Finish & SKU

- Chrome**  
 NRRCR3245aCH/NRRCR3290aCH
- Gun Metal**  
 NRRCR3245aGM/NRRCR3290aGM
- Brushed Bronze**  
 NRRCR3245aBZ/NRRCR3290aBZ
- Matte Black**  
 NRRCR3245aMB/NRRCR3290aMB
- Brushed Gold**  
 NRRCR3245aBG/NRRCR3290aBG
- Brushed Nickel**  
 NRRCR3245aBN/NRRCR3290aBN

\*Dimensions are nominal measurements only.

# Installation Instruction

<p>make hole positions</p> <p>FRONT VIEW</p>	<p>1. Locate wall studs, install into at least one stud. Place wall seal/mounting bracket on wall at correct height over centre of stud and mark hole positions on wall refer left picture. (minimum 2 supplied screws per bracket).</p> <p>Tip: Rail height is 790mm above the ground.</p>
<p>wall plugs</p>	<p>2. Drill pilot holes into wall stud approximately 60mm deep to suit mounting screws (and wall plugs if required).</p> <p>Tip: 3mm hole for screws into timber or 8mm hole for wall plugs.</p>
	<p>3. Apply small amount of silicon to mounting bracket and wall in and around the screw holes.</p>
	<p>4. Install mounting brackets by screwing onto wall.</p> <p>Tip: Use appropriate mounting screws for the wall stud material, supplied screws are for timber wall studs.</p>
	<p>5. Slide rail tubes into end brackets and push onto wall brackets, refer to left picture.</p> <p>Tip: Rail length can be cut down to a smaller size, simply use an angle grinder, hacksaw or pipe cutter then deburr the end with a file or grinder and reinsert into the end bracket.</p>
	<p>6. Tighten grub screws with allen key.</p> <p>Tip: If rail rattles, loosen end bracket, twist slightly and tighten.</p>
	<p>7. Finished.</p> <p>FRONT VIEW</p>

# Nero

info@nerotapware.com.au  
nerotapware.com.au

11-13 Buontempo Road  
Carrum Downs Vic 3201



**MECCA CARE  
DDA CARE 32MM**