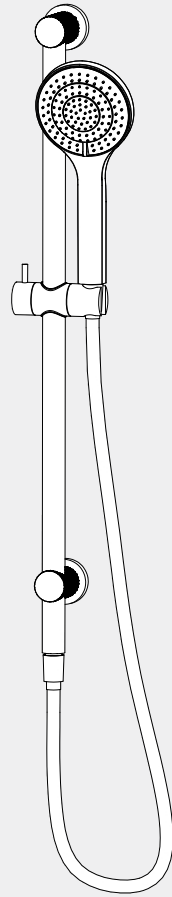


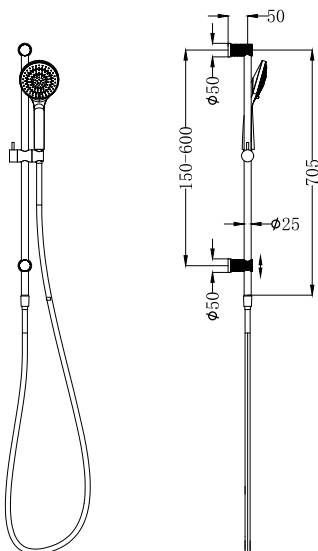
# Opal Shower Rail With Air Shower

# Nero



Versions:202401

## Drawing



## Specifications

### Watermark License

WM-060093

### Temperature Rating

Min 1°C - Max 75°C

### Pressure Rating

Min 150kpa - Max 500kpa

## Packaging Includes

1x Hand Shower ( Built- In Check Valve)  
1x Shower Rail  
1x Shower Bracket  
1x 1.5m PVC Hose  
2x Back Plates

## Finish & SKU



Brushed Nickel  
NR251905aBN



Brushed Gold  
NR251905aBG

\*Dimensions are nominal measurements only.

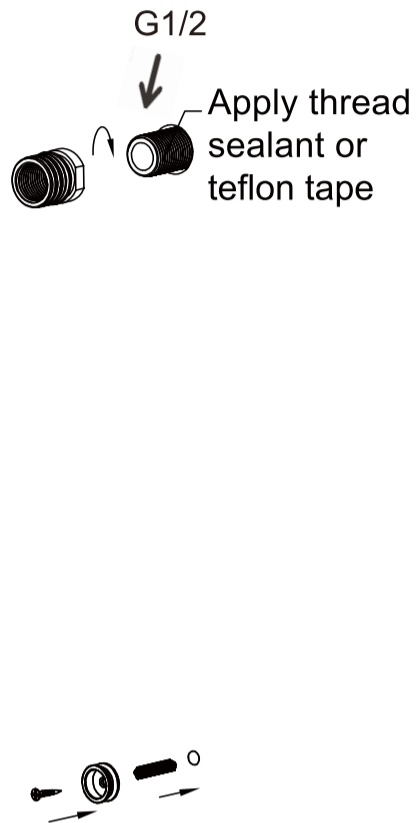
## Important

All products must be installed by licensed plumbers.

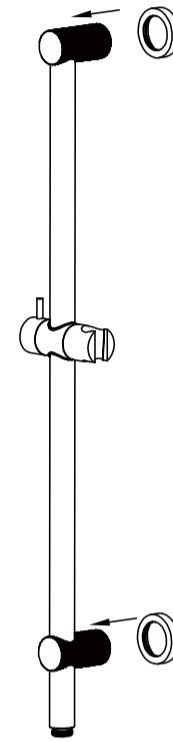
All pipework must be thoroughly flushed prior to installation, as foreign materials may block the flow regulating device and reduce the flow of water.



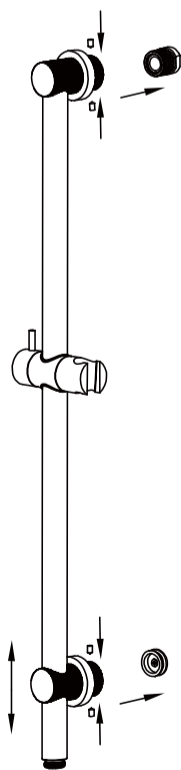
1. Drill a  $\phi 6$ mm hole at the downwards outlet vertical downward position in the recommended range.



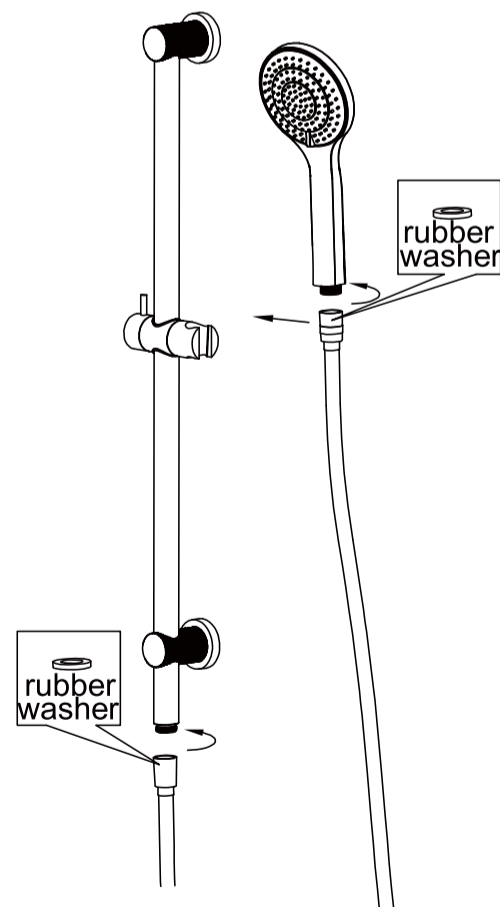
2. Screw the adapter onto the outlet. Push wall plug into drilled hole. Fit lower mounting pillar in place with screw. Tighten firmly.



3. Slide both top and bottom back plate onto the rail assembly, as shown on the picture.



4. Push shower rail assembly onto the wall/tile face. Tighten grub screws firmly. Slide the back plates against the wall/tile face properly.



5. Connect shower rail and hand shower with hose. TEST & CHECK FOR LEAKS.

# Nero

info@nerotapware.com.au  
nerotapware.com.au

11-13 Buontempo Road  
Carrum Downs Vic 3201

