

ACCESSORIES

SIERRA® GRAB RAILS

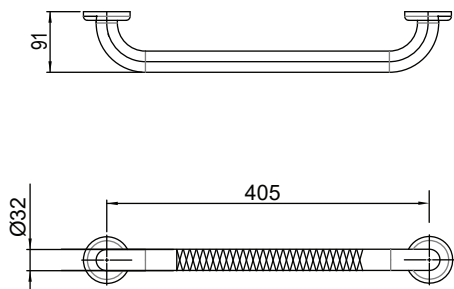
Features/Options:

- Straight 400mm, 600mm or 900mm
- Angled 45 degree, 350 x 350mm
- Angled 90 degrees, 750 x 750mm
- Comply with NZS 4121

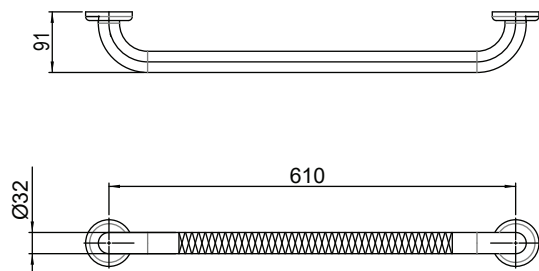
Material/Finishes: -Brushed 304 Stainless Steel with knurled grip sections.

Technical Details:

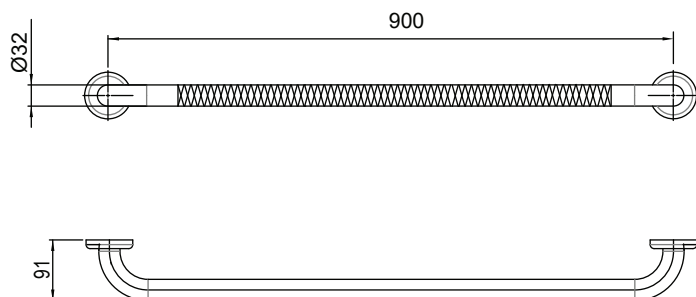
400mm



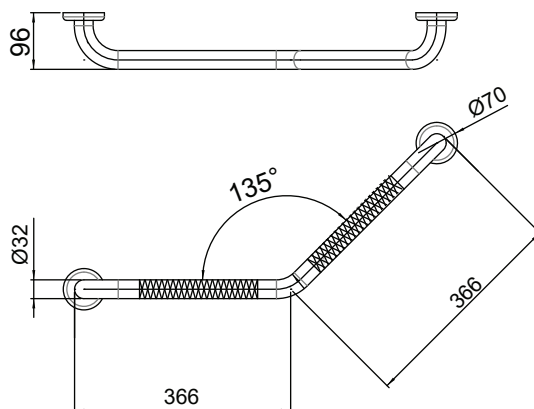
600mm



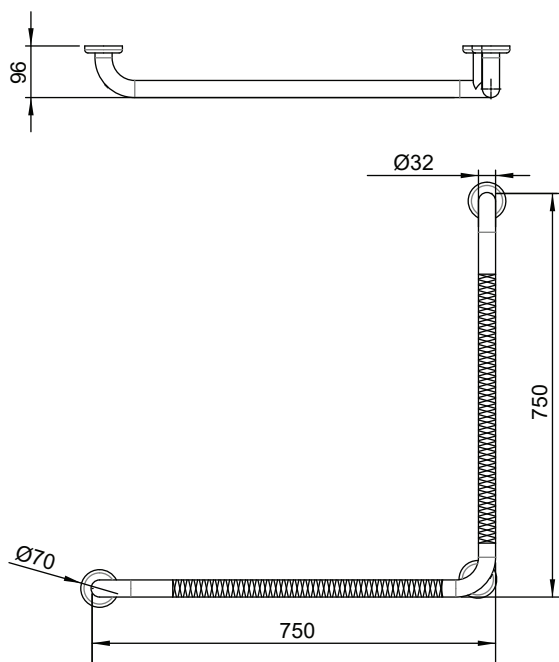
900mm



350 x 350mm - 45 degrees



750 x 750mm - 90 degrees



Product Codes:

Product Code	Straight grab rails			Angle grab rails	
	400mm	600mm	900mm	750 x 750mm - 90DEG	350 x 350mm - 45DEG
	33451A-VS	33452A-VS	33454A-VS	33453A-VS	33450A-VS



New Zealand
Kohler New Zealand Limited
 0800 100 382
 info@englefield.co.nz
 englefield.co.nz

Australia

englefield.com

All measurements shown.
 are in millimetres.
 Sizes are approximate.

MAY 2024
 1603432_A04_A