

Model	Description	Product Code
2000W	Instant Radiant Heater	FAN7047
	Replacement Halogen Heat Lamp	LHT1088
1000W	Instant Radiant Heater	FAN7046
	Replacement Halogen Heat Lamp	LHT1172

TERRAZZA 2000W

Recommended for outdoor or indoor commercial area use only.
Only fit with LHT1088 replacement halogen heat lamp.

TERRAZZA 1000W

Recommended for indoor bathroom use only. Do not use outdoors
and only fit with LHT1172 replacement halogen heat lamp.

Thank you for purchasing this quality instant radiant heater.

To ensure correct function and safety, please read all instructions before using the product and keep all instructions for future reference.



When using electrical appliances, basic safety precautions should always be followed to reduce the risk of fire, electrical shock and personal injury.



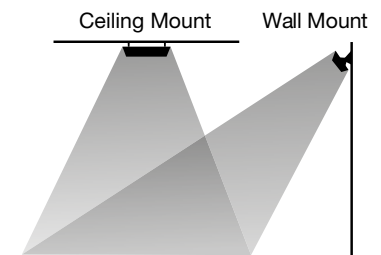
TECHNICAL DATA

Product Code	FAN7047	FAN7046
Supply	220-240V~50Hz	220-240V~50Hz
Heater Wattage	2000W	1000W
Lamp Type	Infrared halogen tungsten heat tube	Infrared halogen tungsten heat tube
Grille	304 Stainless Steel	304 Stainless Steel
Housing	Powder coated black aluminium	Powder coated black aluminium
Dimensions	460 x 113 x 190mm	460 x 113 x 190mm
Weight	2.6kg	2.6kg
IP Rating	IP65	IP65

HEATING AREA*

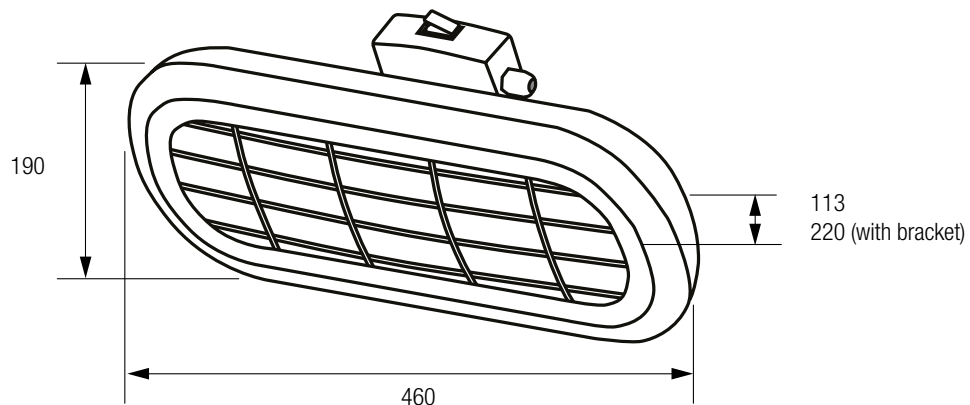
FAN7046 - 5-6m²

FAN7047 - 10-12m²



* Heating area may vary according to install height and position (wall or ceiling)

DIMENSIONS (mm)





**HEATER INSTALLATION AND ELECTRICAL CONNECTION MUST
BE CARRIED OUT BY A REGISTERED ELECTRICIAN**



IMPORTANT

This instant radiant heater must be installed by a registered electrician and its installation and connection to the power supply must comply with all current Australian and New Zealand electrical and building regulations including AS/NZS3000:2017, or latest edition thereof.

The power supply cable to the socket outlet must be suitably rated by a registered electrician to satisfy the total load on that circuit. The electrician should install a suitable RCD protected socket outlet if the connection to the heater plug is outside a building.

WARNING

1. This instant radiant heater may only be used as recommended by the manufacturer in this manual. Any other use not recommended by the manufacturer may cause fire, electric shock, or injury to persons. Contact the manufacturer, or local agent, if required.
2. Isolate the mains supply before making any electrical connections. This system should be installed by a registered electrician.
3. Ensure the instant radiant heater is properly earthed.
4. The instant radiant heater must be able to be isolated from the power by means of a disconnect switch meeting current electrical regulations.
5. The instant radiant heater is not intended for use by persons (including children) with reduced physical, sensory or mental capabilities, or lack of experience and knowledge, unless they have been given supervision or instruction concerning use of the appliance by a person responsible for their safety.
6. Children should be supervised to ensure that they do not play with the instant radiant heater.

IMPORTANT CONSIDERATIONS

Planning can make a big difference to the installation time and your satisfaction with the operation of the unit.

1. Remove the unit from its packaging and check to make sure it is in good condition before using.
2. Do not let children play with packaging.
3. Check the household voltage to ensure it matches the heater's rated specification.
4. Check the power cord and plug carefully before using to ensure there is no damage.
5. Before unplugging the power cord, be sure to turn off the power. When energizing the unit, be sure your hands are dry to prevent electric shock.
6. This heater is hot when in use. To avoid burns, do not let bare skin touch hot surfaces. Keep combustible materials, such as furniture, pillows, bedding, papers, clothes, and curtains at least 0.9 m from the front of the heater and keep them away from the sides and rear.
7. Do not use near or in the immediate vicinity of a bath or swimming pool or any wet areas.
8. To protect against electric shock, do not immerse cord or plug in water or any other liquids.
9. Do not insert or allow foreign objects to enter any ventilation openings, as this may cause an electric shock, fire or damage to the heater.
10. Always unplug the heater when not in use.
11. Always plug heaters directly into a wall outlet/receptacle. Never use with an extension cord or relocatable power tap (outlet/power strip).
12. Do not allow cord to overhang the counter top where it can be easily pulled by children.
13. Do not put fingers or foreign objects into the grille while in operation.
14. Do not leave the appliance unattended when in use.
15. Any changes, or modifications, made, or attempted, to this product, without the prior written approval of the manufacturer, will void any, and all, stated warranties.
16. Do not operate any heater with a damaged cord or plug or after the heater malfunctions, has been dropped or damaged in any manner. Disconnect power at the socket supply and have heater inspected by a registered electrician before reusing. If the supply cord is damaged in any way, it must be replaced by the manufacturer or its service agent or a similarly qualified person in order to avoid a hazard.
17. Do not run cord under carpet. Do not cover cord with throw rugs, runners, or similar coverings. Do not route cord under furniture or appliances. Arrange cord away from traffic area and where it will not be tripped over.
18. To disconnect heater, turn controls to off, then remove plug from outlet.
19. To prevent overheating of this appliance, keep the air inlets and outlets clean and free of anything that may cause blockage. Check all inlets and outlets from time to time to ensure it is clear of any dirt or dust accumulation. **DO NOT COVER.**
20. Do not use it in areas where gasoline, paint, or flammable liquids are used or stored.
21. Parts of the heater may exceed 200°C, contact with the heating tube, reflector, or metal parts near the heating tube, may cause severe burns. To avoid burns, do not let bare skin touch hot surfaces.

22. NEVER place hands under the heating elements. ALWAYS allow heating element to cool at least 10 minutes before touching the heating tube or adjacent parts.
23. This product contains recyclable materials. Do not dispose of this product as unsorted municipal waste. Please contact your local municipality for the nearest collection point.
24. The fireguard of this heater is intended to prevent direct access to heating elements and must be in place when the heater is in use.
25. The fireguard does not give full protection for young children and for infirm persons.



BEFORE INSTALLING THE INSTANT RADIANT HEATER, MAKE SURE YOU HAVE TURNED OFF THE MAIN ELECTRICITY SUPPLY. DO NOT TURN IT BACK ON UNTIL THE INSTANT RADIANT HEATER IS FULLY INSTALLED AND READY TO USE.



ALL ELECTRICAL WORK MUST BE CARRIED OUT BY A REGISTERED ELECTRICIAN IN ACCORDANCE WITH THE LATEST WIRING RULES AS/NZS3000.

INSTALLATION

Tools Required

1. Pencil
2. Hammer
3. Level
4. Screwdriver
5. Power drill and drill bits

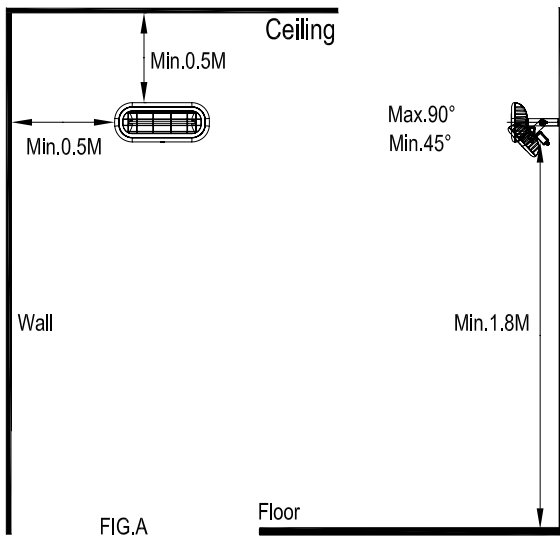
A wall mounting bracket is provided with the heater which has been specifically designed to allow this product to be fitted to a ceiling. Before drilling, ensure the ceiling structure is solid and that there are no hidden water pipes or electric wires. The heater must be installed no less than **0.5m from side walls** and no less than **1.8m off the floor**.

ATTENTION! The instant radiant heater must be installed on a solid surface such as concrete, wood or metal etc.

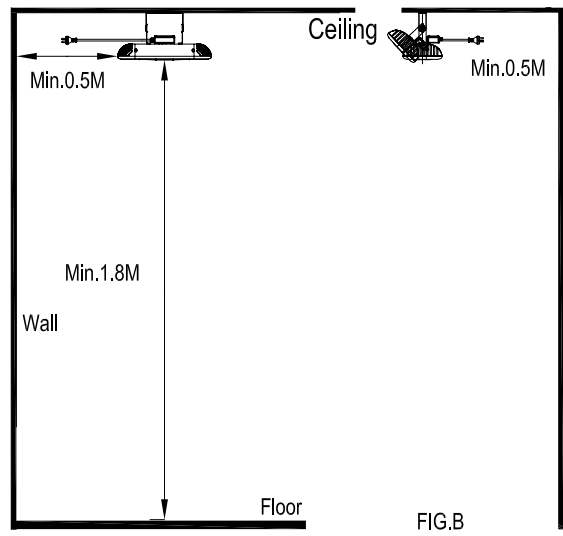
IMPORTANT Ensure that the supply cables are well mounted and that they do not come into contact with the reflector of the heater or that it does not trail into heated areas. The supply cable can be fixed to the metal mounting bracket behind the heater with plastic zip ties.

1. Always disconnected the heater from the electricity supply and allow it to cool before installation.
2. For ceiling mounting, the lowest part of the heater must be located at or above a minimum height of 1.8m from ground level, so that the heater cannot be touched when in operation.
3. For ceiling mounting, there must be a 1.8m distance from your appliance to the ground.
4. When installed to the ceiling, there must be a distance of 0.5m between corners and the appliance.
5. The distance of your appliance from any objects or persons is to be min 1m.
6. The distance from the front side of the heater to materials such as wood, cloth etc., must be min 1m.
7. When mounting to a ceiling, do not position the heater at an angle more than 90 degrees.
8. The supply cable must be at the lower end of the heater if it is installed at an angle or vertically.
9. Keep the supply cord away from the body of the heater as it will get hot during use.
10. Do not install the heater on a flammable surface.
11. Observe the minimum safe distance between the heater body and the flammable surfaces when mounted.
12. The heater should always have a minimum clearance of 0.5m from a ceiling and adjacent wall.
13. If the heater is to be used outside, a weatherproof RCD protected outlet is recommended.
14. Before drilling ensure that there are no wires or water pipes in the area where the heater is to be installed.
15. The heater must be installed on the mounting brackets provided.
16. Fasten the brackets securely to the mounting surface and the backside of the heater using the nuts and screws supplied.
17. Fasten the heater securely on the brackets using the nuts and bolts supplied.
18. The brackets can be used to adjust the direction of the heater, adjust the heater angle by loosening the two bolts on the wall mounting bracket, and tighten the bolts again when the desired angle is reached.

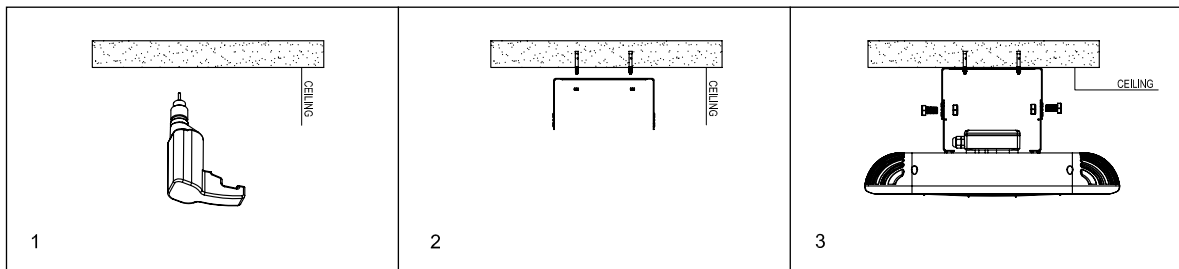
WALL / CEILING INSTALLATION



Wall Mounting



Ceiling Mounting



MAINTENANCE

BEFORE REPAIRING THE HEATER, MAKE SURE THAT YOU HAVE TURNED OFF THE MAIN ELECTRICITY SUPPLY

When the appliance is not operated for a long period of time, cleaning or maintenance is conducted or when the location of the instant radiant heater is changed, the instant radiant heater should be turned to OFF and unplugged from the electrical connection. Periodic inspection and removal of dirt and contaminants will ensure that equipment can be operated safely.

1. Make sure the instant radiant heater is always switched off before cleaning.
2. Check the reflector and IR-filament for dirt, dust or contaminants at least once a month. If necessary, apply cleaning and maintenance process.
3. The number of checks may be increased considering the amount of the dust in the environment.
4. Check the deformation of the reflector, wire and frame visually while cleaning the appliance.
In case of deformation, consult to your technical service.
5. Check the power cord and plug visually while cleaning the appliance. In case of deformation, consult to your technical service.
6. Never install the instant radiant heater under extreme hot environments.

CLEANING, STORAGE AND DISPOSAL

Regular and careful cleaning helps your infrared heater operate efficiently for many trouble-free years. To clean your instant radiant heater, follow steps below:

1. Unplug the power cord for your safety before cleaning your appliance.
2. Make sure the instant radiant heater is cool before continuing.
3. To keep the instant radiant heater clean, the outer shell maybe cleaned with a soft, damp cloth. You may use a mild detergent if necessary. After cleaning, dry the unit with a soft cloth. (CAUTION: DO NOT let liquids enter the heater).
4. DO NOT use alcohol, gasoline, abrasive powders, furniture polish or rough brushes to clean the instant radiant heater. This may cause damage or deterioration to the surface of the instant radiant heater.
5. DO NOT immerse the instant radiant heater in water
6. Wait until the heater is completely dry before use.

ATTENTION:

1. Always disconnect the instant radiant heater from the electricity supply and allow it to cool before attempting to work on it.
2. If the instant radiant heater has collected dust or dirt inside the unit or around the heating element, have the unit cleaned by a qualified service agent. Do not operate the instant radiant heater in this condition.
3. The only maintenance required is cleaning of the external surfaces of the instant radiant heater.
4. Do not touch the heating element with bare fingers, as residue from your hand could affect the life of the lamp. If it is accidentally touched, remove the finger marks with a soft cloth moistened with mentholated spirit or alcohol.
5. Do not attempt to repair or adjust any electrical or mechanical functions on this instant radiant heater.
6. The instant radiant heater contains no user serviceable parts. Should the product suffer damage or breakdown, it must be returned to the manufacturer or its service agent.
7. Damaged supply cords to be replaced by the manufacturer, service agent or similarly qualified person in order to avoid hazard.

STORAGE:

Store the instant radiant heater in a cool, dry location when not in use to prevent dust and dirt build up. Use packaging carton to store.

If you do not plan to use the instant radiant heater for extended periods of time, it is recommended that it is cleaned and stored (preferably in its original packaging) in a cool, dry place.



Do not dispose of electrical products with household waste. Please check with your local council for advice on disposal or recycling.

If electrical appliances are disposed of in landfills or dumps, hazardous substances can leak into the groundwater and get into the food chain, damaging your health and well-being.

Simx Warranty Information

In this warranty:

We means Simx;

You means the consumer of the Goods

Supplier means the authorised distributor or retailer that sold you the Goods in New Zealand or Australia; and

Goods means the Simx product accompanied by this warranty and purchased in New Zealand or Australia.

The benefits provided to you under the following warranty are in addition to any other rights and remedies available to you under the law:

1. If, during the time from the date of purchase (Warranty Period), there is a defect in the Goods due to improper workmanship or material, we will replace or repair the Goods without charge. Any replacement product is warranted only for the time remaining on the original Warranty Period.
2. We are not obliged to replace or repair the Goods under clause 1 if the Goods have been improperly stored, installed, connected, used, operated, repaired, damaged, abused, tampered with, altered (without our written approval), or not maintained in accordance with our recommended installation, connection and operating instructions.
3. We exclude liability for:
 - a) consequential loss or any other loss or damage caused to property or persons arising from any cause whatsoever;
 - b) damage to consumable items such as lamps and starters; and
 - c) damage arising from normal wear and tear.
4. In order to claim under this warranty you must, within the Warranty Period, return the Goods to the Supplier, together with the original proof of purchase including the details below:

Supplier Name _____

Date of Purchase _____

Model Number _____

Invoice/Receipt No. _____

5. This warranty does not cover the cost of claiming under the warranty or transporting the Goods to and from the Supplier.

Our Goods come with guarantees that cannot be excluded under the New Zealand and Australian Consumer Law. You are entitled to a replacement or refund for a major failure and for compensation for any other reasonably foreseeable loss or damage. You are also entitled to have the Goods repaired or replaced if the Goods fail to be of acceptable quality and the failure does not amount to a major failure.

To speak to someone about your Simx product or claiming under this warranty, please contact:

Simx Ltd New Zealand

p: +64 9 259 1660 f: +64 9 259 1661

www.simx.co.nz

WESTAFLEX

HVAC Distributor within Australia

p: 03 9458 2122 e: sales@westaflex.com.au

www.westaflex.com.au