

Buddy

Shower tapware

Plumblin

T 04 568 9898
E sales@plumblin.co.nz
www.plumblin.co.nz



M440



M442

Page 1



M307



M308

Page 4



CB450
M100
M105
M106

Page 2



CB452
CB453
M100
M105
M106

Page 3

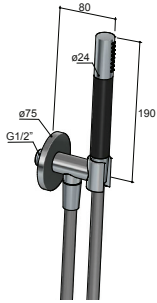


M437

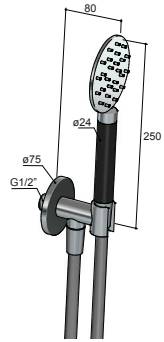


M438

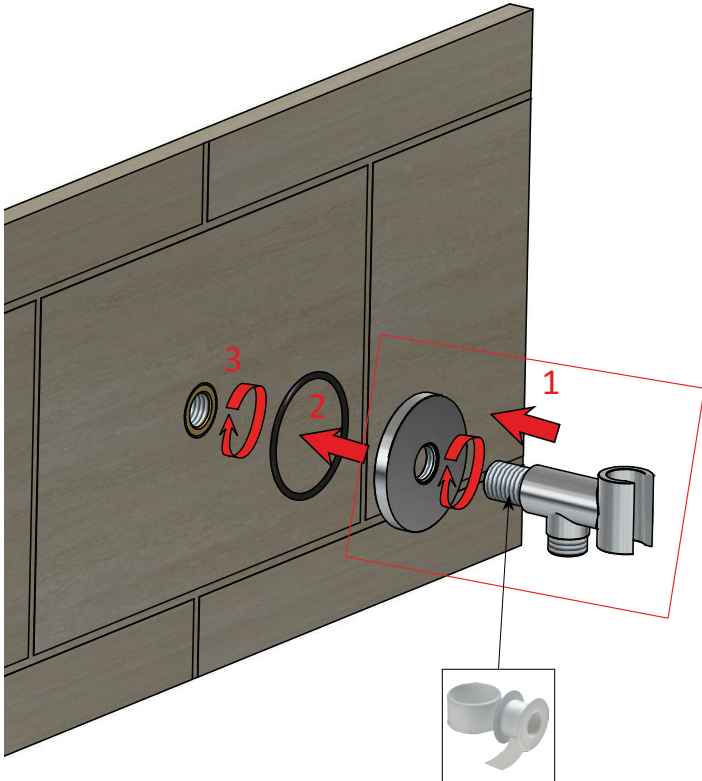
Page 5-6

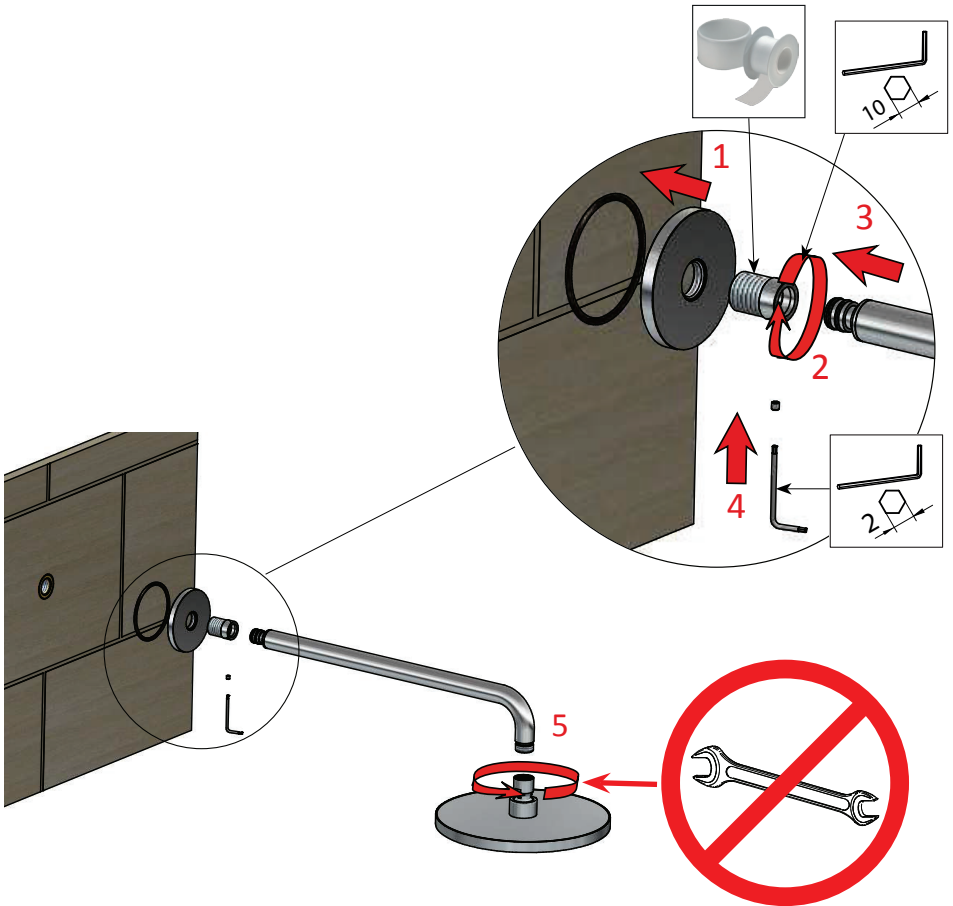
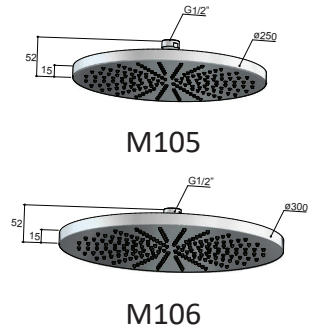
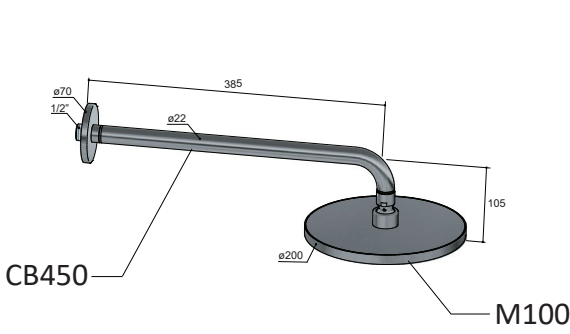


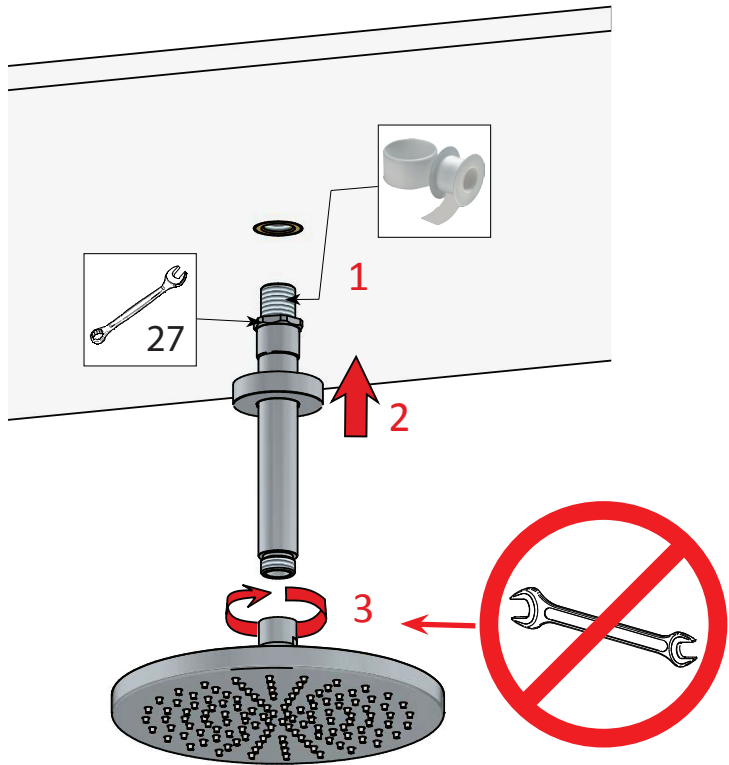
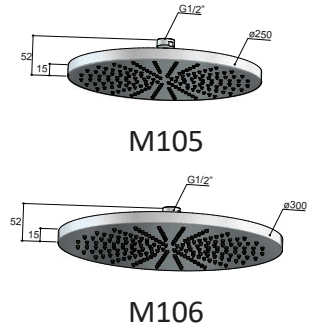
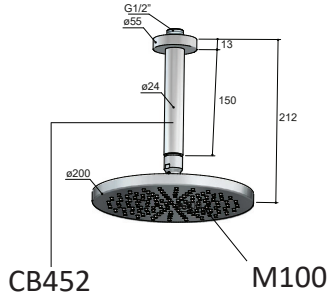
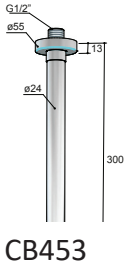
M440

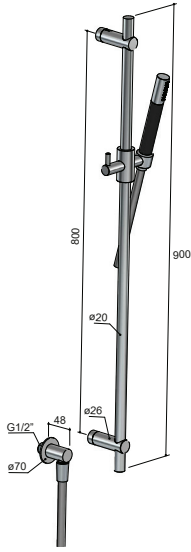


M442

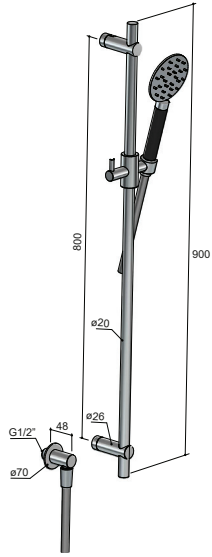




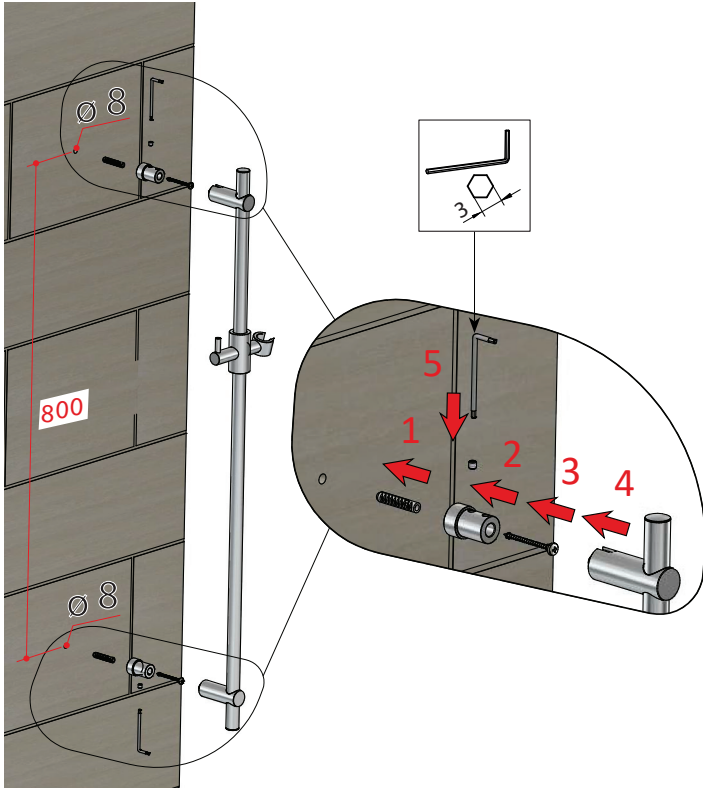




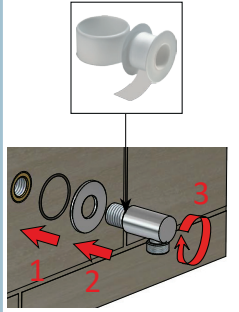
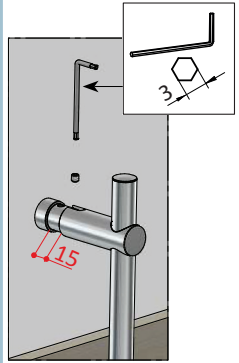
M307

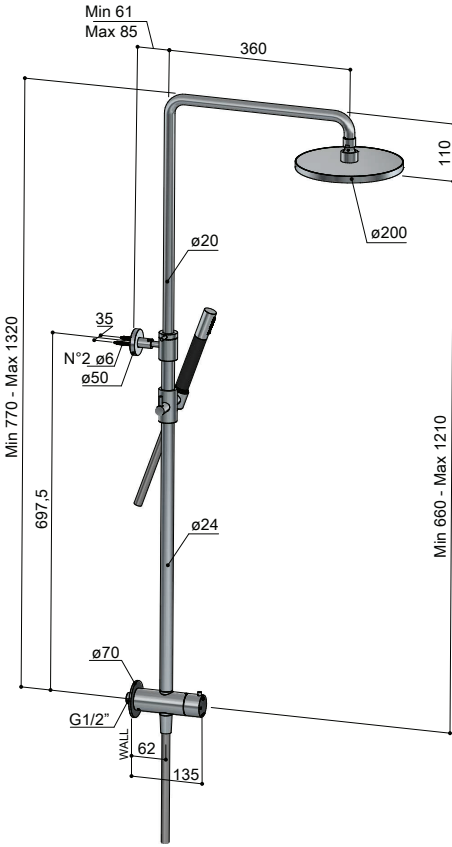


M308

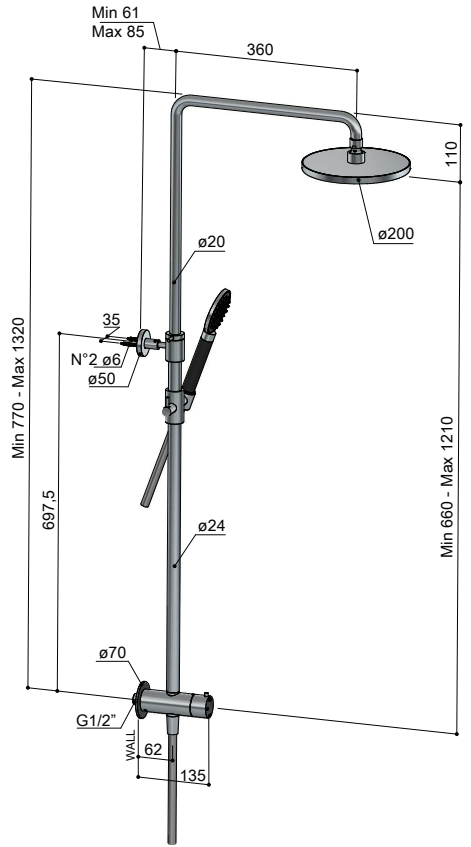


INSTALLATION ABOVE TILES

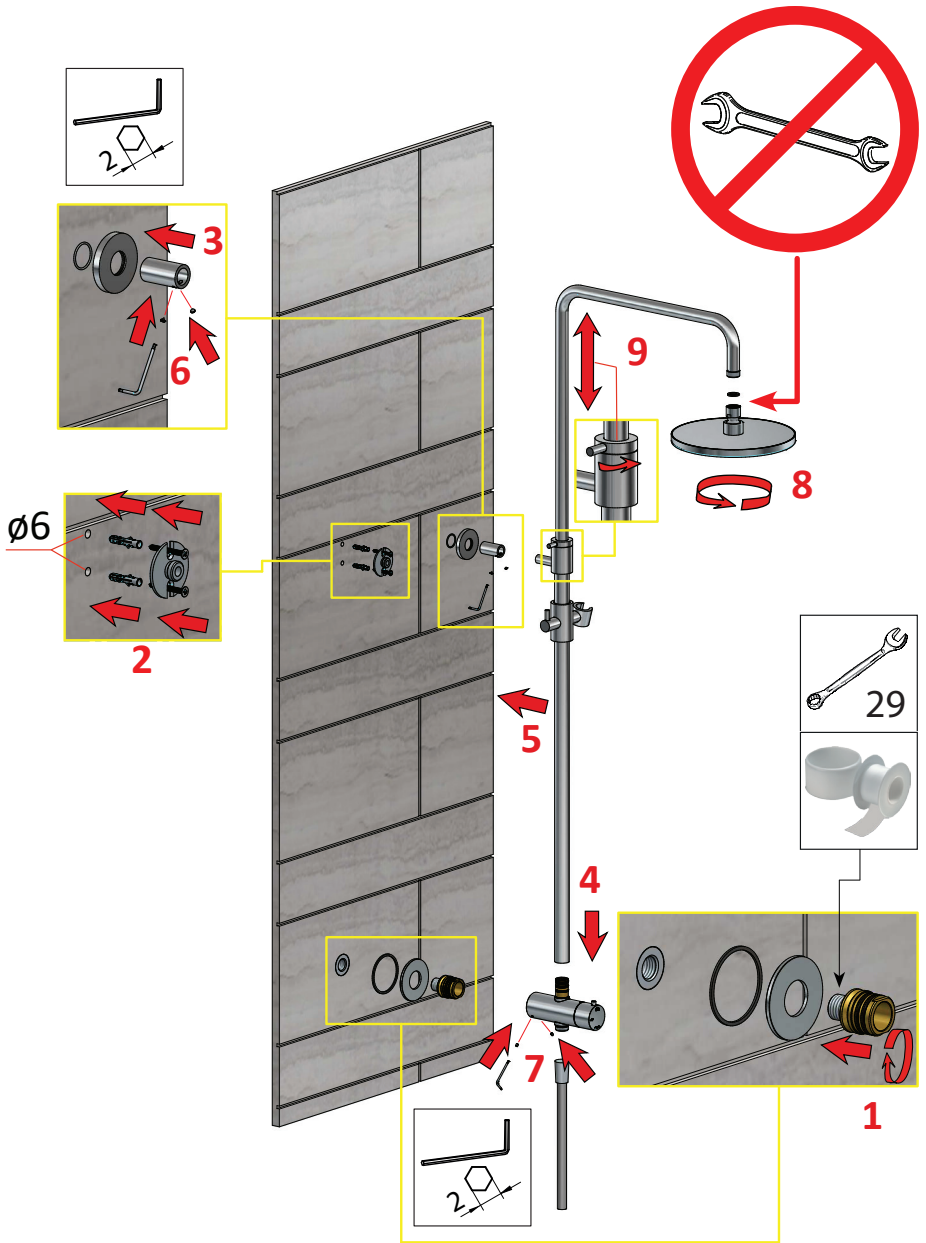




M437



M438



CLEANING

	✓		✗		WARNING	
CR CHROME	 WATER ✓	 LIQUID SOAP ✓	 SMOOTH CLOTH ✓	 ABRASIVE SPONGE ✗	 ACID/ABRASIVE DETERGENT ✗	Inoxidizable plated finish
GN BRUSHED NICKEL	 WATER ✓	 LIQUID SOAP ✓	 SMOOTH CLOTH ✓	 ABRASIVE SPONGE ✗	 ACID/ABRASIVE DETERGENT ✗	Inoxidizable plated finish Avoid citrus based cleaners
NB NATURAL BRASS	 WATER ✓	 LIQUID SOAP ✓	 SMOOTH CLOTH ✓	 ABRASIVE SPONGE ✗	 ACID/ABRASIVE DETERGENT ✗	Natural metal finish: patina will form over time Avoid citrus based cleaners
BB BRUSHED BRASS	 WATER ✓	 LIQUID SOAP ✓	 SMOOTH CLOTH ✓	 ABRASIVE SPONGE ✗	 ACID/ABRASIVE DETERGENT ✗	Natural metal finish: patina will form over time Avoid citrus based cleaners
AB AGED BRASS	 WATER ✓	 LIQUID SOAP ✓	 SMOOTH CLOTH ✓	 ABRASIVE SPONGE ✗	 ACID/ABRASIVE DETERGENT ✗	Aged metal finish: patina will form over time Avoid citrus based cleaners
WH MATT WHITE	 WATER ✓	 LIQUID SOAP ✓	 SMOOTH CLOTH ✓	 ABRASIVE SPONGE ✗	 ACID/ABRASIVE DETERGENT ✗	Varnished finish: subject to surface scratches if not properly handled Avoid citrus based cleaners
BC BRUSHED COPPER	 WATER ✓	 LIQUID SOAP ✓	 SMOOTH CLOTH ✓	 ABRASIVE SPONGE ✗	 ACID/ABRASIVE DETERGENT ✗	Oxidizable plated finish: patina will form over time Avoid citrus based cleaners
BL MATT BLACK	 WATER ✓	 LIQUID SOAP ✓	 SMOOTH CLOTH ✓	 ABRASIVE SPONGE ✗	 ACID/ABRASIVE DETERGENT ✗	Varnished finish: subject to surface scratches if not properly handled Avoid citrus based cleaners
AI AGED IRON	 WATER ✓	 LIQUID SOAP ✓	 SMOOTH CLOTH ✓	 ABRASIVE SPONGE ✗	 ACID/ABRASIVE DETERGENT ✗	Plated finish: subject to surface scratches if not properly handled Avoid citrus based cleaners
BK BLACK CHROME	 WATER ✓	 LIQUID SOAP ✓	 SMOOTH CLOTH ✓	 ABRASIVE SPONGE ✗	 ACID/ABRASIVE DETERGENT ✗	Plated finish: subject to surface scratches if not properly handled Avoid citrus based cleaners
BBP BRUSHED BRASS PVD	 WATER ✓	 LIQUID SOAP ✓	 SMOOTH CLOTH ✓	 ABRASIVE SPONGE ✗	 ACID/ABRASIVE DETERGENT ✗	Inoxidizable PVD finish Avoid citrus based cleaners
BZP BRUSHED BRONZE PVD	 WATER ✓	 LIQUID SOAP ✓	 SMOOTH CLOTH ✓	 ABRASIVE SPONGE ✗	 ACID/ABRASIVE DETERGENT ✗	Inoxidizable PVD finish Avoid citrus based cleaners