

# INSTALLATION INSTRUCTIONS

progetto

OLI316 KITCHEN MIXER ROUND SPOUT | OL040  
OLI316 KITCHEN MIXER STRAIGHT SPOUT | OL041  
OLI316 KITCHEN MIXER STRAIGHT SPOUT W POS | OL044  
OLI316 KITCHEN MIXER ROUND SPOUT W POS | OL046



OL041



OL040



OL044



OL046



## IMPORTANT!

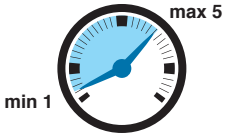
Please read these instructions **prior** to installation

Distributed by:

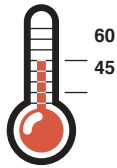
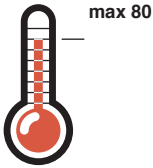
**Plumblin**e

T 04 568 9898 E [sales@plumblin.co.nz](mailto:sales@plumblin.co.nz)  
[www.plumblin.co.nz](http://www.plumblin.co.nz)

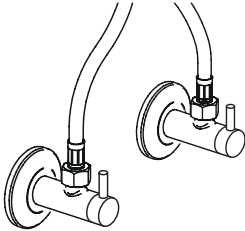
# RECOMMENDATIONS FOR INSTALLATION



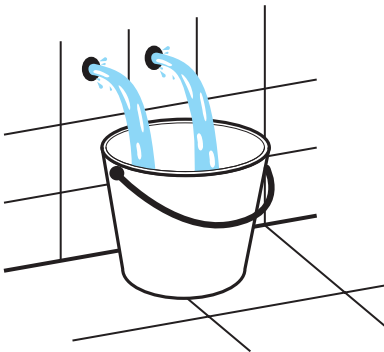
Water Pressure  
3 bar



Water Temperature  
45° - 65°C



Stop Taps  
Angle valves are recommended

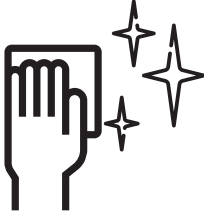


Pre-Flush  
Always flush out the pipework  
before connecting any tapware.



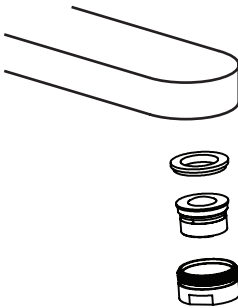
## ATTENTION

Failure to do so will void  
the warranty.



### Cleaning

Clean with warm soapy water and a smooth cloth. Avoid abrasive sponges or detergents as these will damage the finish.



### Aerator Maintenance

Unscrew the aerator with 22mm spanner

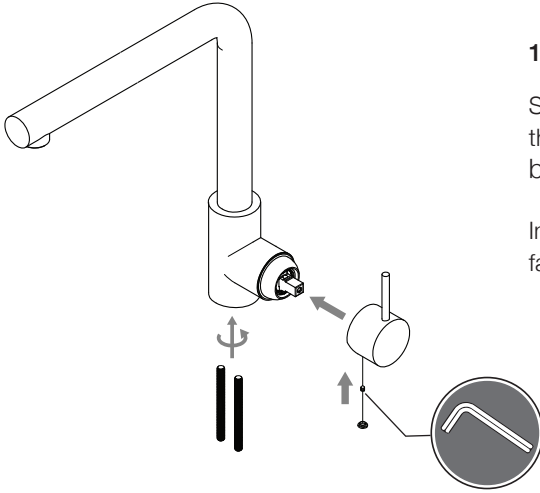
immerse for half a day in water-vinegar solution (80-20%)

Wash, then reassemble

# INSTALLATION INSTRUCTIONS

OLI316 KITCHEN MIXER ROUND SPOUT | OL040

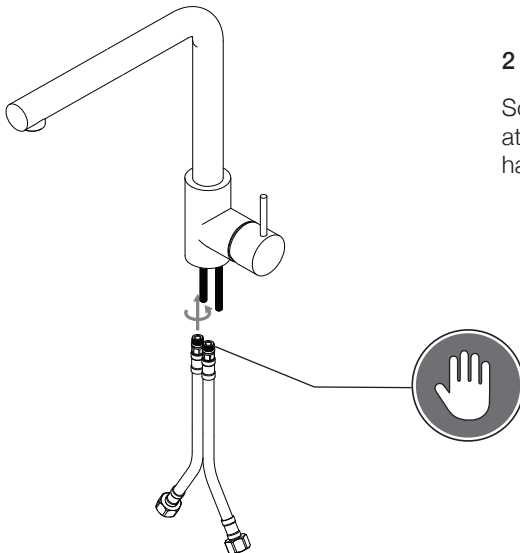
OLI316 KITCHEN MIXER STRAIGHT SPOUT | OL041



1

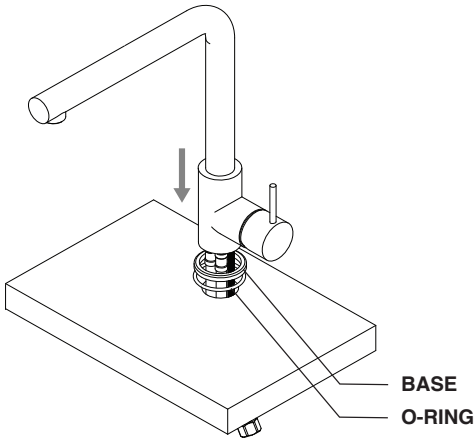
Screw the threaded rods into the holes at the bottom of the mixer body and fix them by hand.

Insert the handle on the cartridge, then fasten the screw using the 2.5mm hex key.



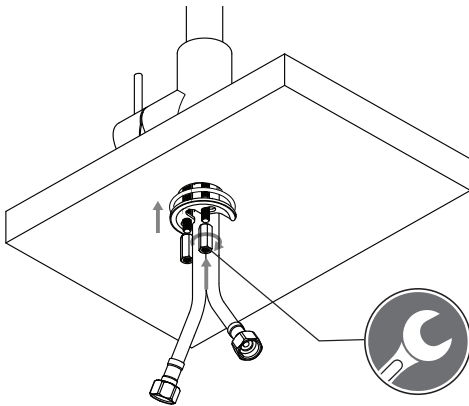
2

Screw the flexible hoses into the water inlet at the bottom of the mixer body, fix them by hand.



3

Slide the base and the o-ring over the mixer assembly then insert the whole block into the basin hole.



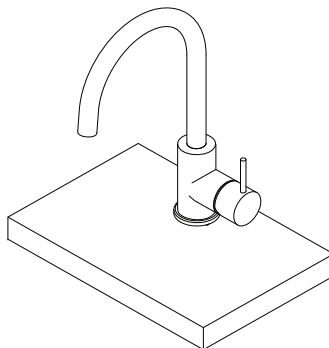
4

While holding the mixer in place, slide in the rubber gasket and the metal washer of the fixing kit. Secondly screw the two nuts on the threaded rods and fix them using a wrench.

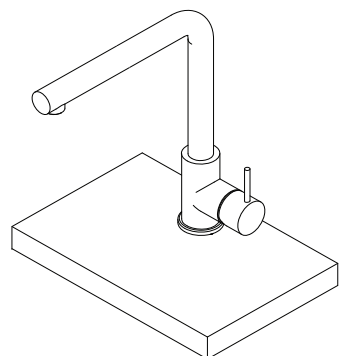


**ATTENTION**

Two operators are required to avoid damages.



OL040

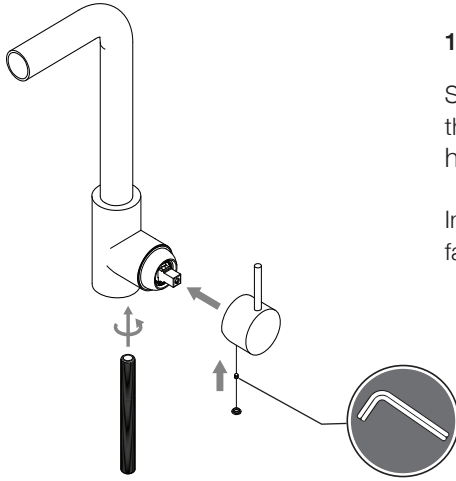


OL041

# INSTALLATION INSTRUCTIONS

OLI316 KITCHEN MIXER STRAIGHT SPOUT W POS| OL044

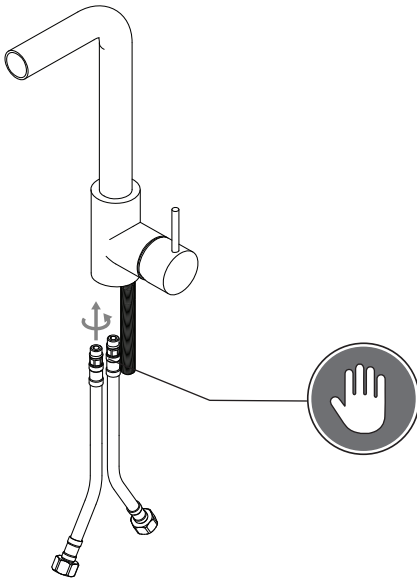
OLI316 KITCHEN MIXER ROUND SPOUT W POS| OL046



1

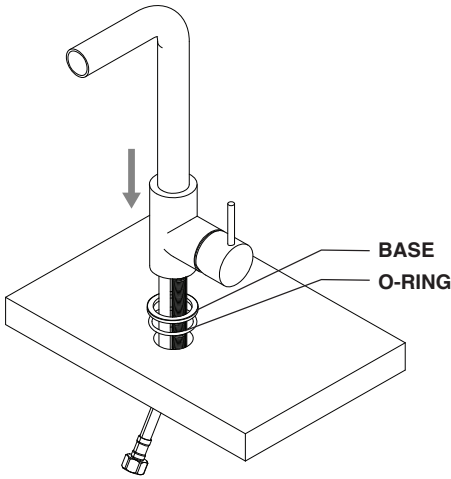
Screw the threaded pipe into the hole at the bottom of the mixer body and fix it by hand.

Insert the handle on the cartridge, then fasten the screw using the 2.5mm hex key.



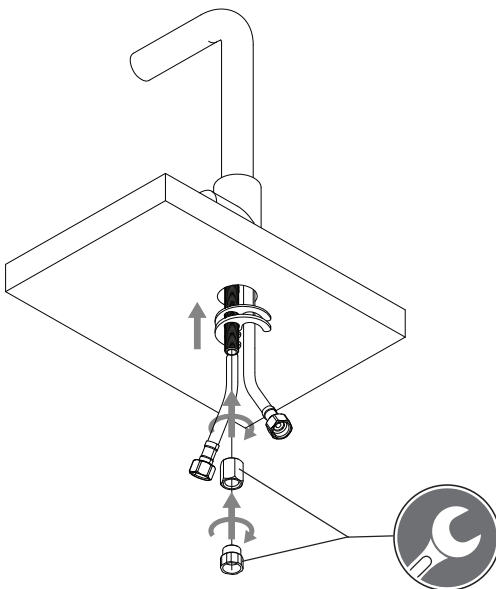
2

Screw the flexible hoses into the water inlet at the bottom of the mixer body, fix them by hand.



3

Slide the base and the o-ring over the mixer assembly then insert the whole block into the basin hole.



4

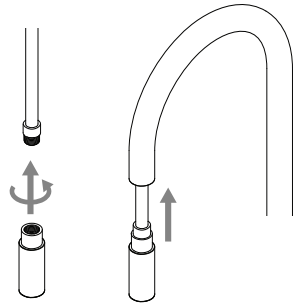
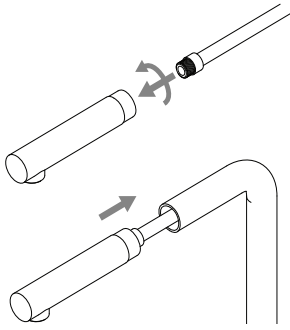
While holding the mixer in place, slide in the rubber gasket and the metal washer of the fixing kit.

Secondly screw the nut and the fitting on the threaded rod and fix them using a wrench.



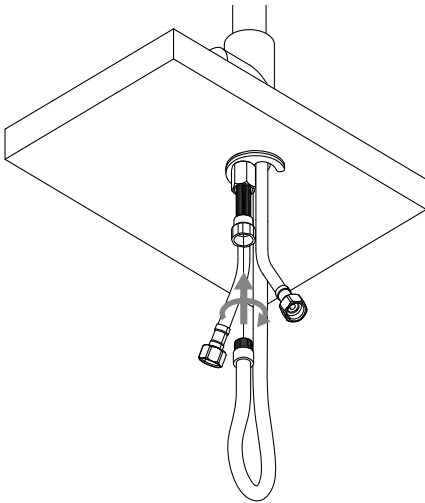
**ATTENTION**

Two operators are required to avoid damages.



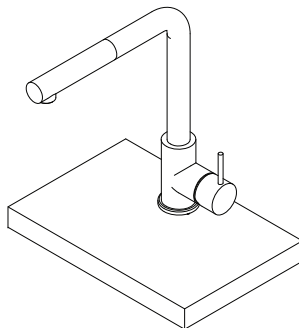
5

Connect one end of the flexible hose to the hand shower, then insert the other end into the mixer spout. Slide the flexible until it comes out from the mixer base.

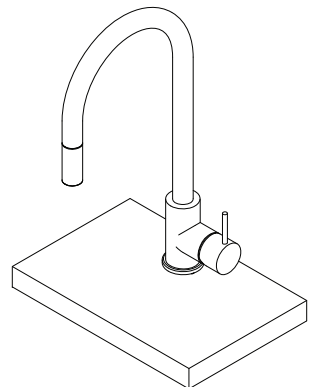


6

Connect the flexible hose to the fitting at the base of the mixer and fix it by hand



OL044



OL046