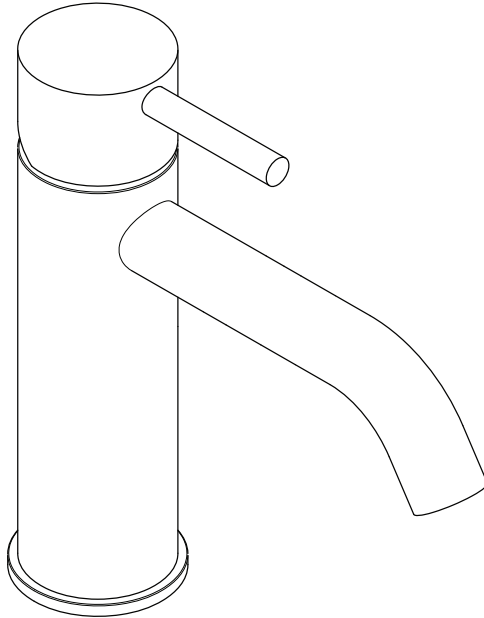


INSTALLATION INSTRUCTIONS

progetto

OLI316 BASIN MIXER | OL003
OLI316 BIDET MIXER | OL018
OLI316 VESSEL BASIN MIXER | OL003H
OLI316 SHOWER MIXER | OL031
OLI316 DIVERTER MIXER | OL033
OLI316 BATH FILLER & H/SHOWER | OL077
OLI316 WALL MOUNT MIXER | OL005



IMPORTANT!

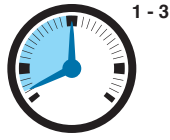
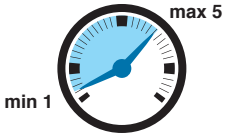
Please read these instructions **prior** to installation

Distributed by:

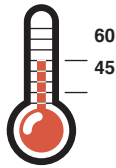
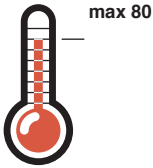
Plumbline

T 04 568 9898 E sales@plumblin.co.nz
www.plumblin.co.nz

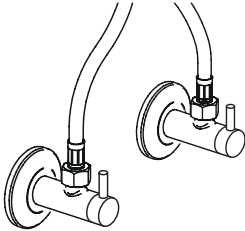
RECOMMENDATIONS FOR INSTALLATION



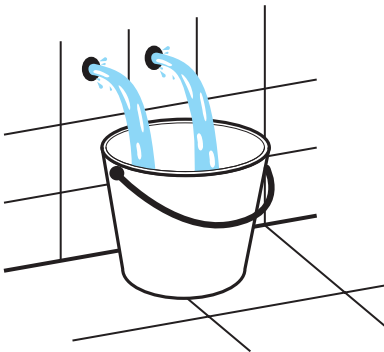
Water Pressure
1 - 3 bar



Water Temperature
45° - 65°C



Stop Taps
Angle valves are recommended

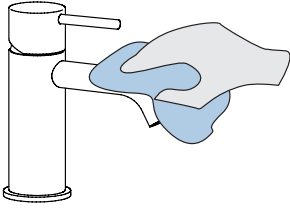


Pre-Flush
Always flush out the pipework
before connecting any tapware.



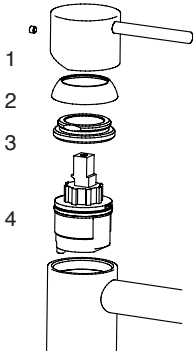
ATTENTION

Failure to do so will void
the warranty.



Cleaning

Clean with warm soapy water and a smooth cloth. Avoid abrasive sponges or detergents as these will damage the finish.



Cartridge Replacement

Before you start, turn off the water supply to the mixer.

1. Remove the handle
2. Unscrew the dome (hand tightened)
3. Unscrew the locking nut
4. Remove the cartridge

Re-assemble in reverse order

Max tightening torque on locking nut: 10-12 Nm

Legend



Hand tighten only



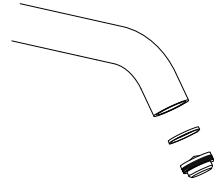
Tighten using a wrench



Tighten using a hex key



Use some glue

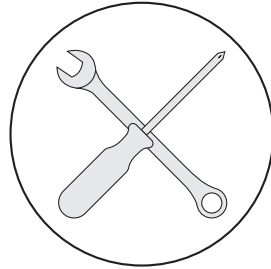


Aerator Maintenance

Remove the aerator, either with a screwdriver or a coin.

Immerse for half a day in water-vinegar solution (80-20%).

Wash, then reassemble.



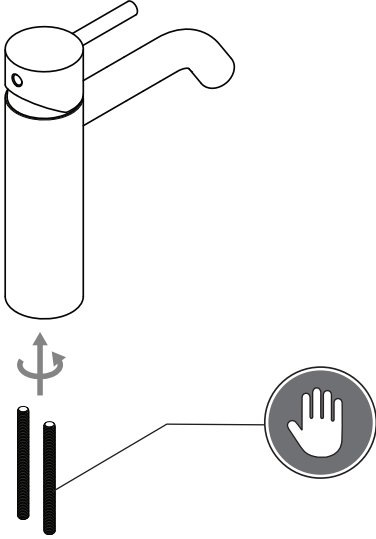
Warranty Informations

For full details about our warranty visit plumbline.co.nz/warranty-information.

INSTALLATION INSTRUCTIONS

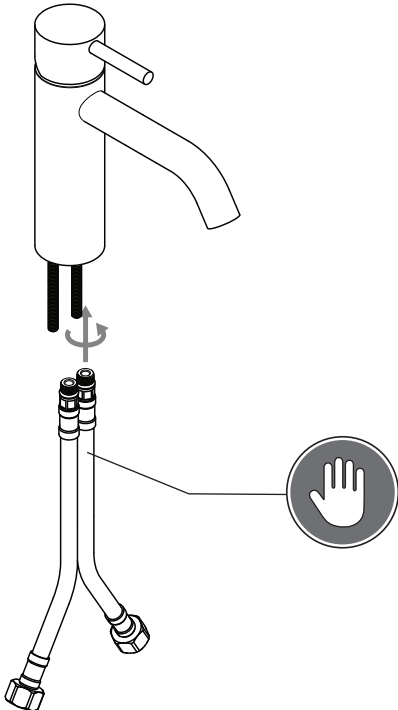
OLI316 BASIN MIXER | OL003

OLI316 BIDET MIXER | OL018



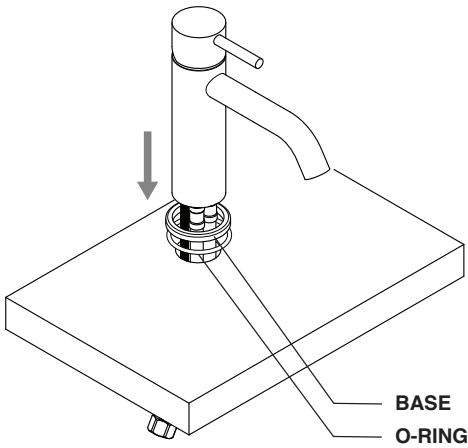
1

Screw the threaded rods into the holes at the bottom of the mixer body and fix them by hand.



2

Screw the flexible hoses into the water inlet at the bottom of the mixer body, fix them by hand.



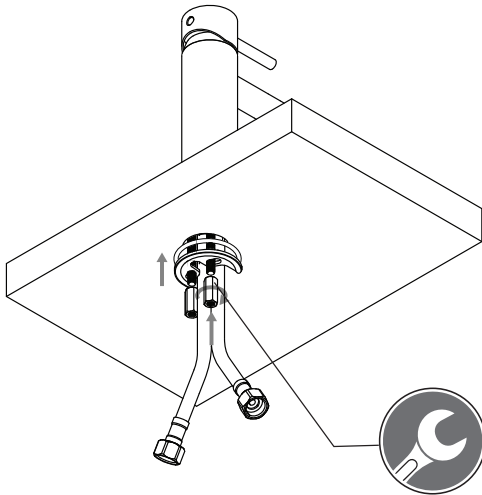
3

Slide the base and the o-ring over the mixer assembly then insert the whole block into the basin hole.

4

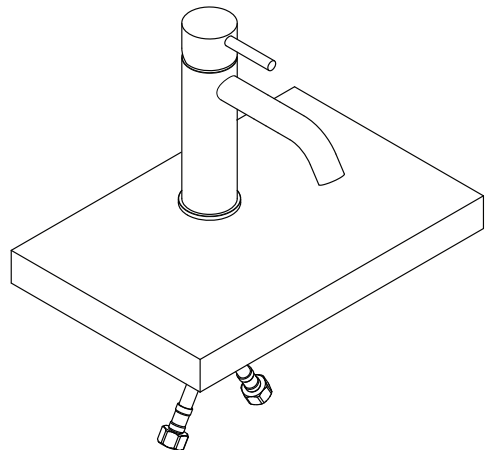
While holding the mixer in place, slide in the rubber gasket and the metal washer of the fixing kit.

Secondly screw the two nuts on the threaded rods and fix them using a wrench.



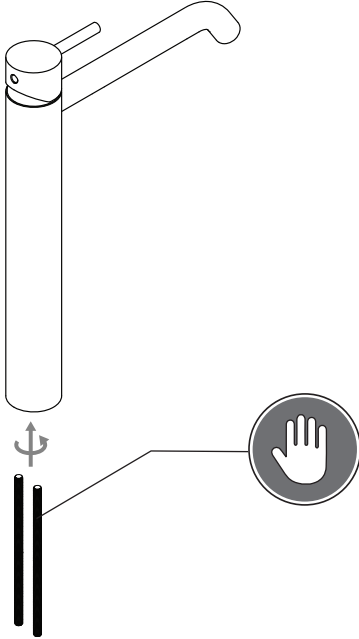
ATTENTION

Two operators are required to avoid damages.



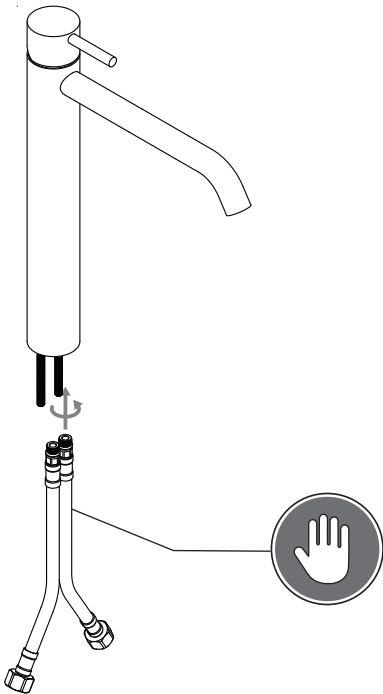
INSTALLATION INSTRUCTIONS

OLI316 VESSEL BASIN MIXER | OL003H



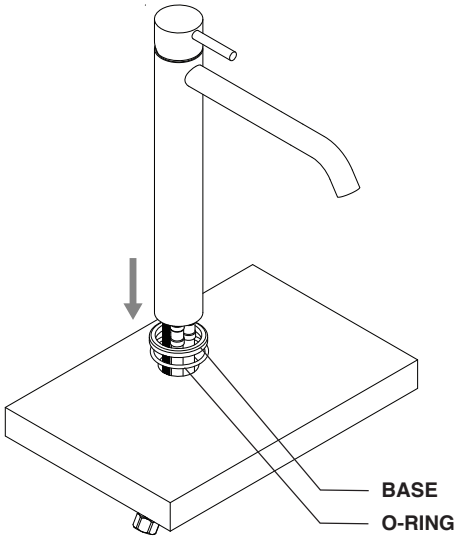
1

Screw the threaded rods into the holes at the bottom of the mixer body and fix them by hand.



2

Screw the flexible hoses into the water inlet at the bottom of the mixer body, fix them by hand.



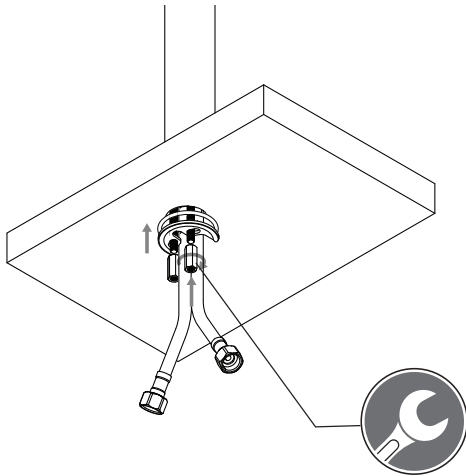
3

Slide the base and the o-ring over the mixer assembly then insert the whole block into the basin hole.

4

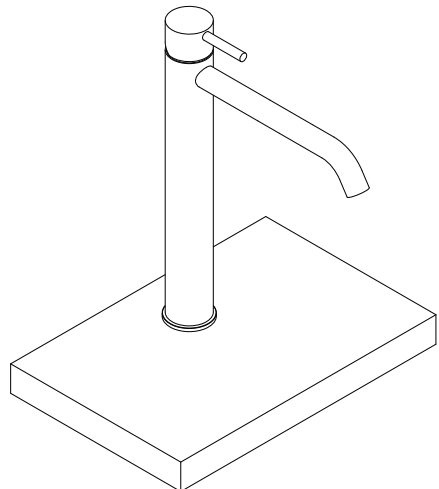
While holding the mixer in place, slide in the rubber gasket and the metal washer of the fixing kit.

Secondly screw the two nuts on the threaded rods and fix them using a wrench.



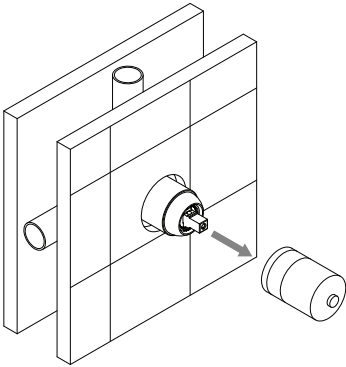
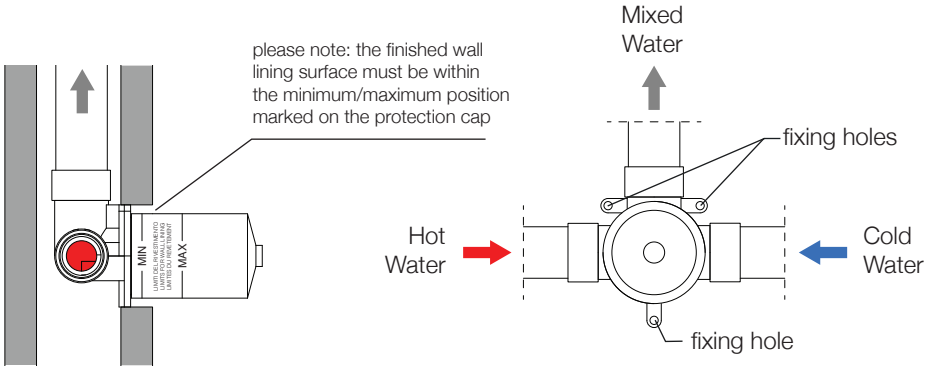
ATTENTION

Two operators are required to avoid damages.



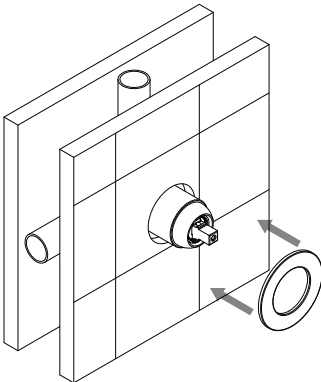
INSTALLATION INSTRUCTIONS

OLI316 SHOWER MIXER | OL031



1

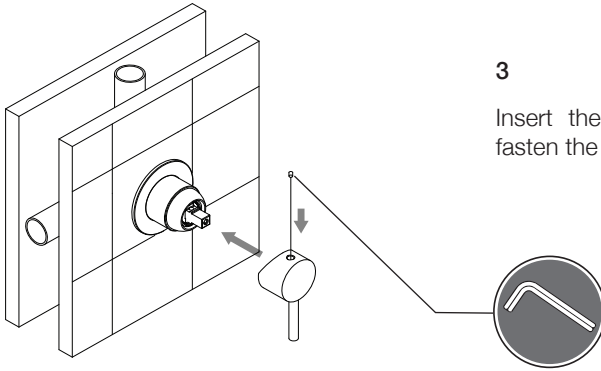
Pull out the protection cap.



2

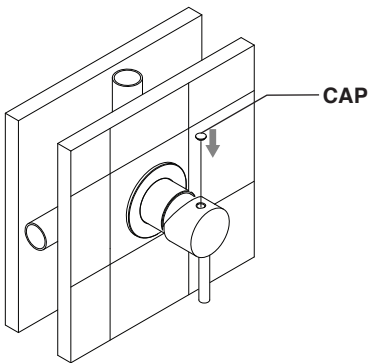
Slide the plate over the body and to prevent any rotation, fix it to the wall using some glue.





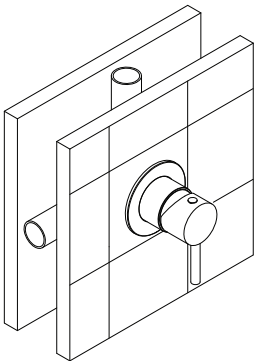
3

Insert the handle on the cartridge, then fasten the screw using the 2.5mm hex key.



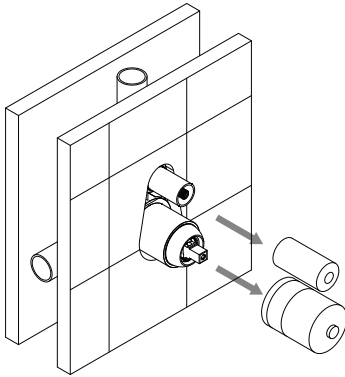
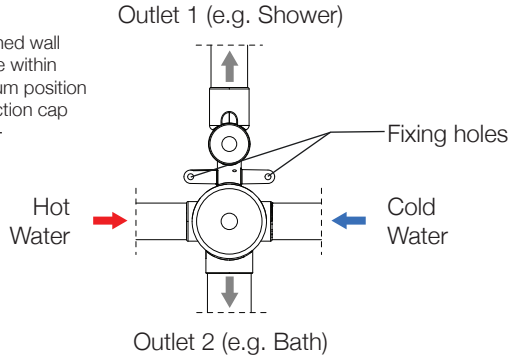
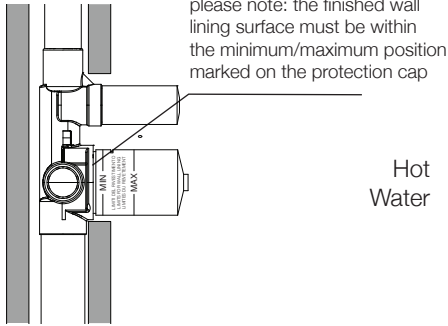
4

Insert the chrome cap into the handle hole.



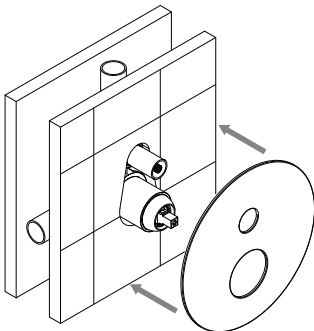
INSTALLATION INSTRUCTIONS

OLI316 DIVERTER MIXER | OL033



1

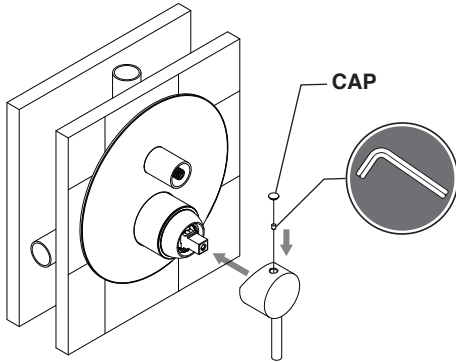
Pull out the protection cap.



2

Slide the plate over the body and to prevent any rotation, fix it to the wall using some glue.





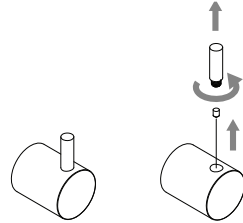
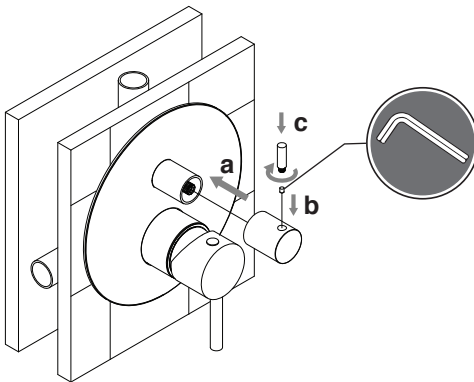
3

Insert the handle on the cartridge, then fasten the grub screw using the 2.5 hex key.

Then close the hole on the handle using the provided cap

4

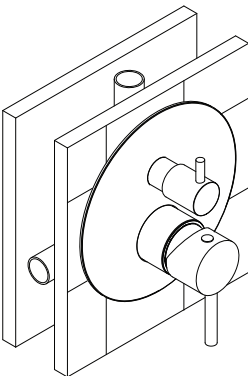
Starting from the diverter lever assembly, unscrew the knob and the grub screw.



5

Insert the handle on the diverter (a) and fasten the previously removed grub screw using the hex key (b).

Finally screw the knob into the hole of the diverter lever (c).

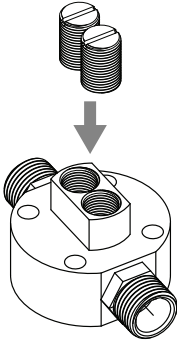


INSTALLATION INSTRUCTIONS

OLI316 BATH FILLER & H/SHOWER | OL077

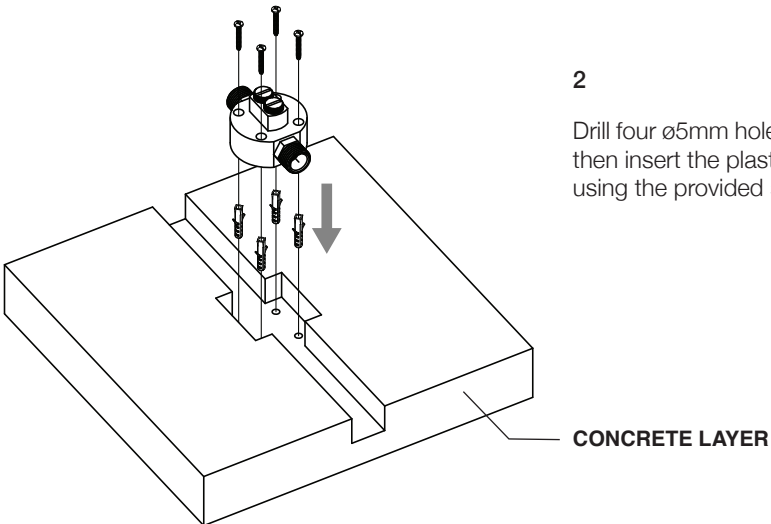
1

Insert the two metal plugs into the body.



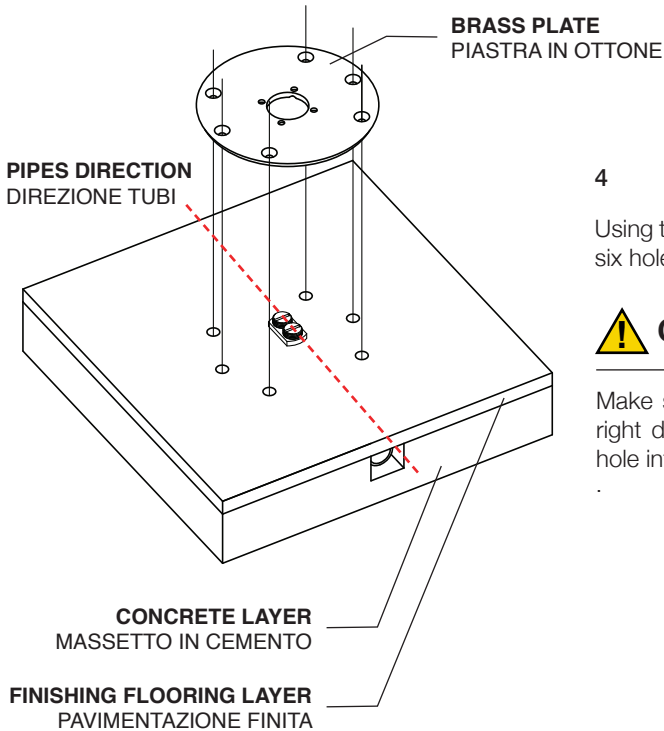
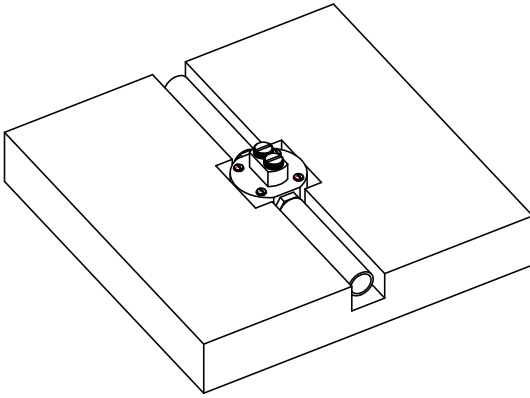
2

Drill four $\varnothing 5\text{mm}$ holes into the concrete layer, then insert the plastic plugs and fix the body using the provided screw.



3

Once the pipes are connected to the body, proceed to a pressure test and make sure there are no leaks.

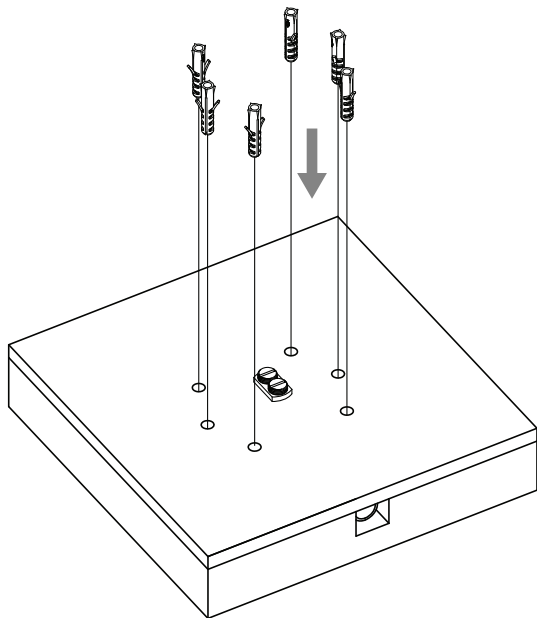


4

Using the brass plate as a template mark the six holes for the $\varnothing 10\text{mm}$ plastic plugs .

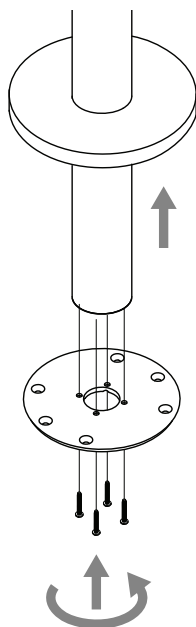
CAUTION / ATTENZIONE

Make sure the brass plate is placed in the right direction to avoid the risk of drilling a hole into a pipe running under the floor.



5

insert the provided plastic plugs into the previously drilled holes.



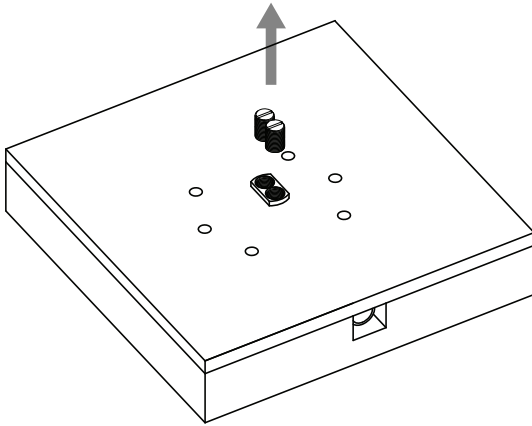
6

Slide the plate over the column, paying attention not to scratch the column itself. then fix the brass plate to the column using the four provided screws.

 **CAUTION / ATTENZIONE**

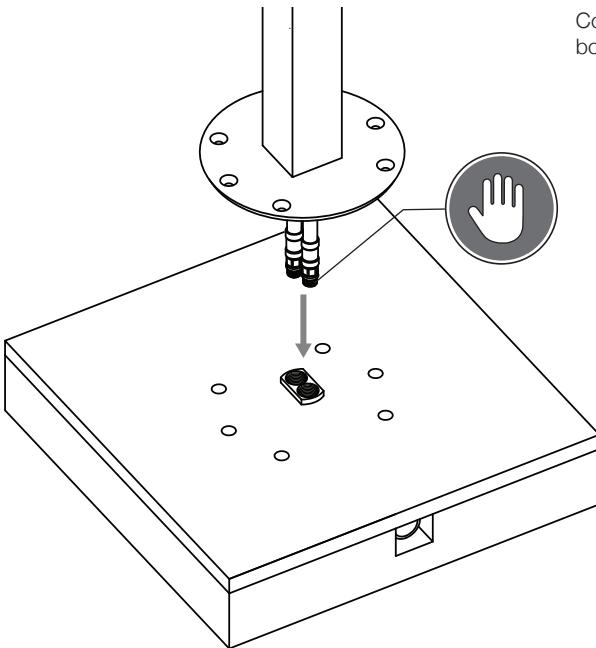


Two operators are required to avoid damages.



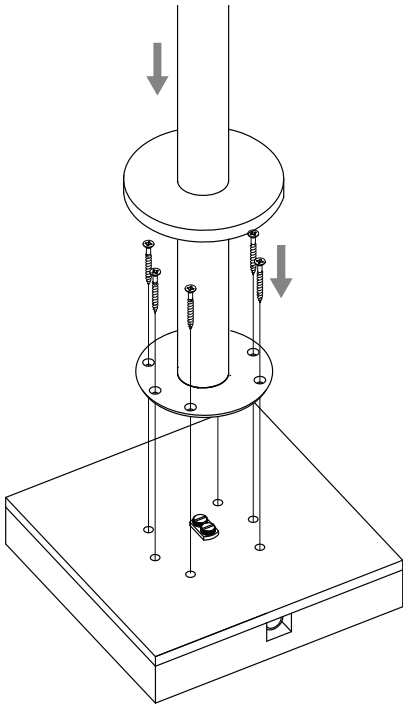
7

Remove the two metal plugs from the recessed body.



8

Connect the two flexible hoses to the recessed body water outlets.

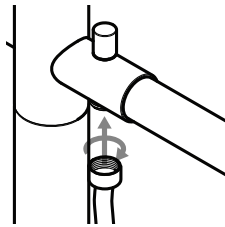
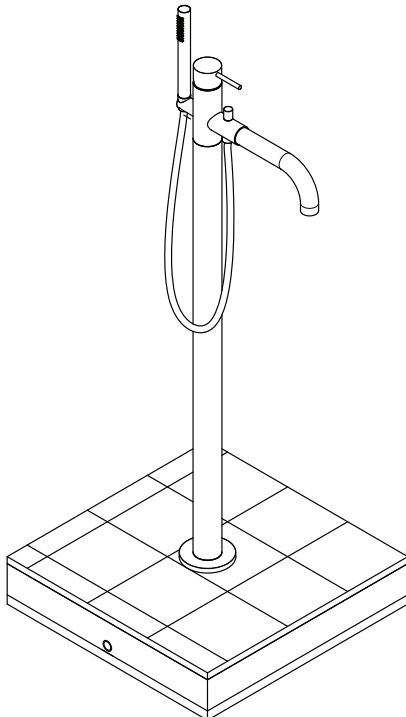


9

Fix the brass plate to the floor using the six provided screws.
Gently slide down in place the square plate.

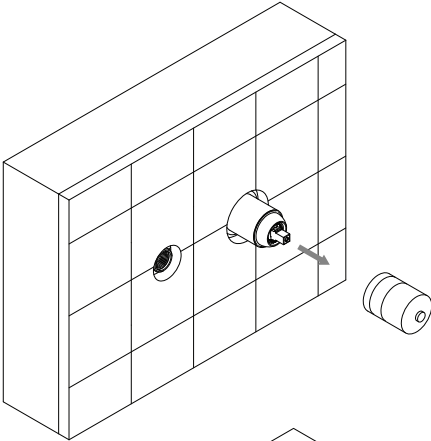
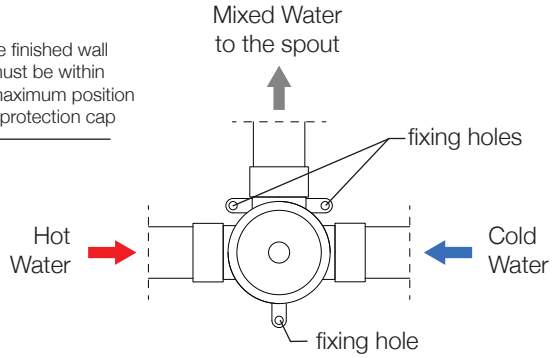
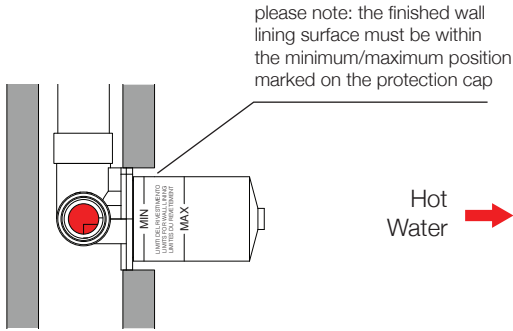
10

Connect the hand shower flexible hose to the diverter outlet placed under the spout



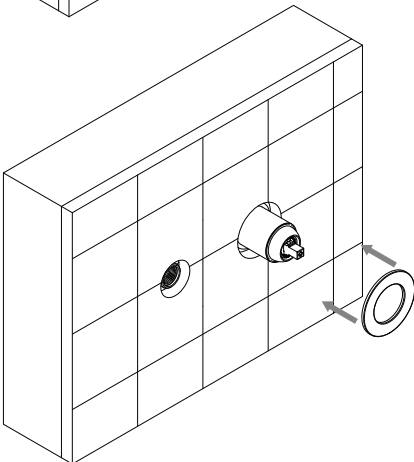
INSTALLATION INSTRUCTIONS

OLI316 WALL MOUNT MIXER | OL005



1

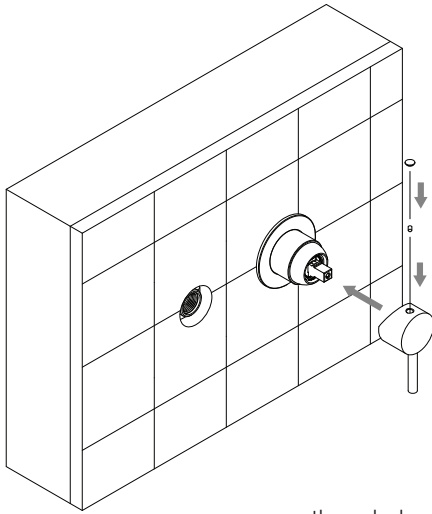
Pull out the protection cap.



2

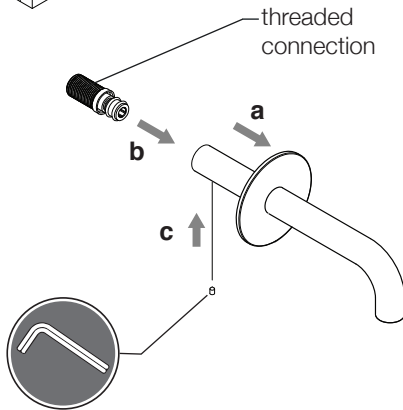
Slide the plate over the body and to prevent any rotation, fix it to the wall using some glue.





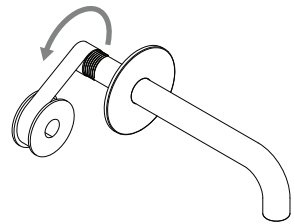
3

Insert the handle on the cartridge, then fasten the screw using the 2.5mm hex key. then Insert the chrome cap into the handle hole.



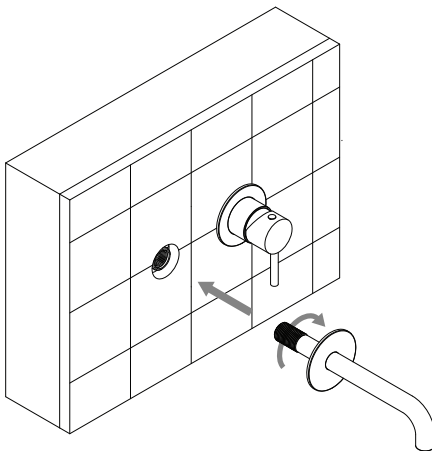
4

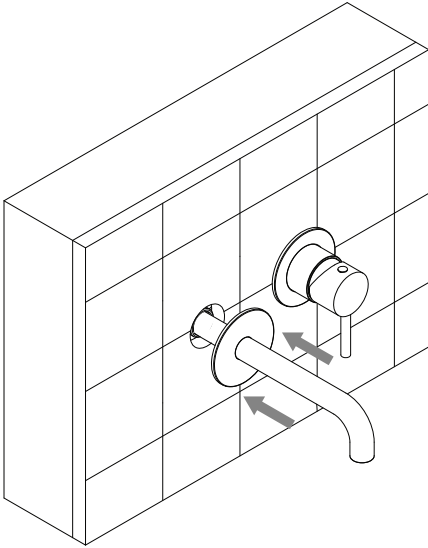
Slide the plate over the spout, being careful not to scratch the surface; insert the threaded connection into the spout then lock it using the provided grub screw.



5

Wrap the threaded end with PTFE seal tape or hemp, then screw the spout into the mixed water outlet into the wall.





6

Push the spout against the wall, and to prevent any rotation, fix it using some glue.

