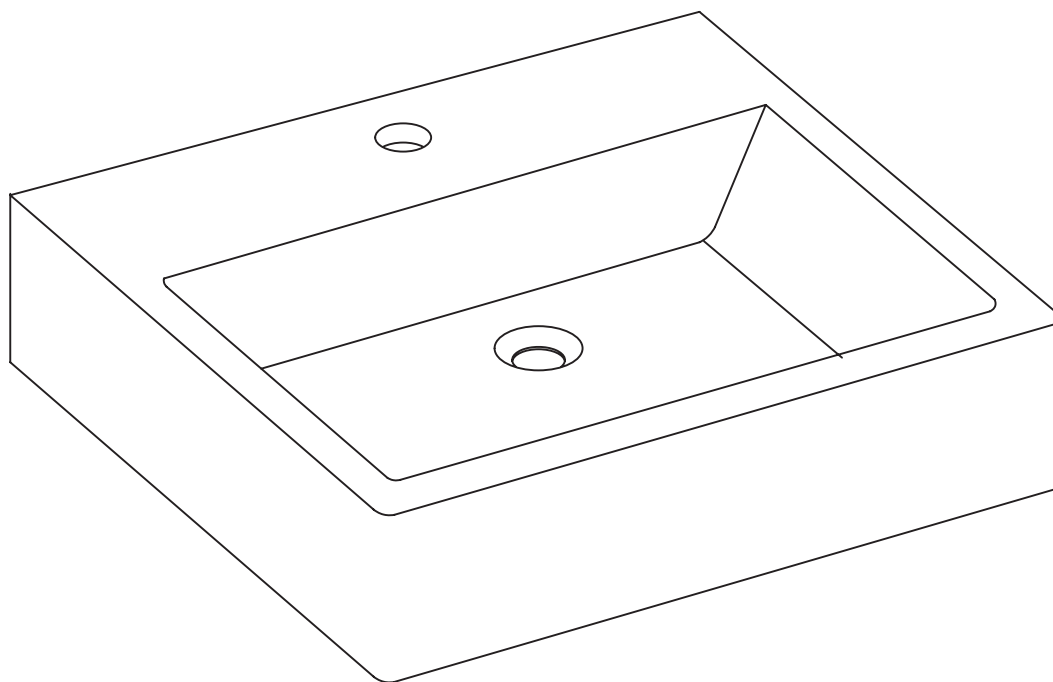


INSTALLATION INSTRUCTIONS

KUBE WALL HUNG BASINS

progetto
DESIGN COLLECTION



IMPORTANT!

Please read these instructions **prior** to installation

Because the weight of a wall hung basin and the weight that comes from people leaning on the basin can crush the wall lining if a plaster board is used, we recommend wall hung basins are installed against a cement based non-compressible wall lining.

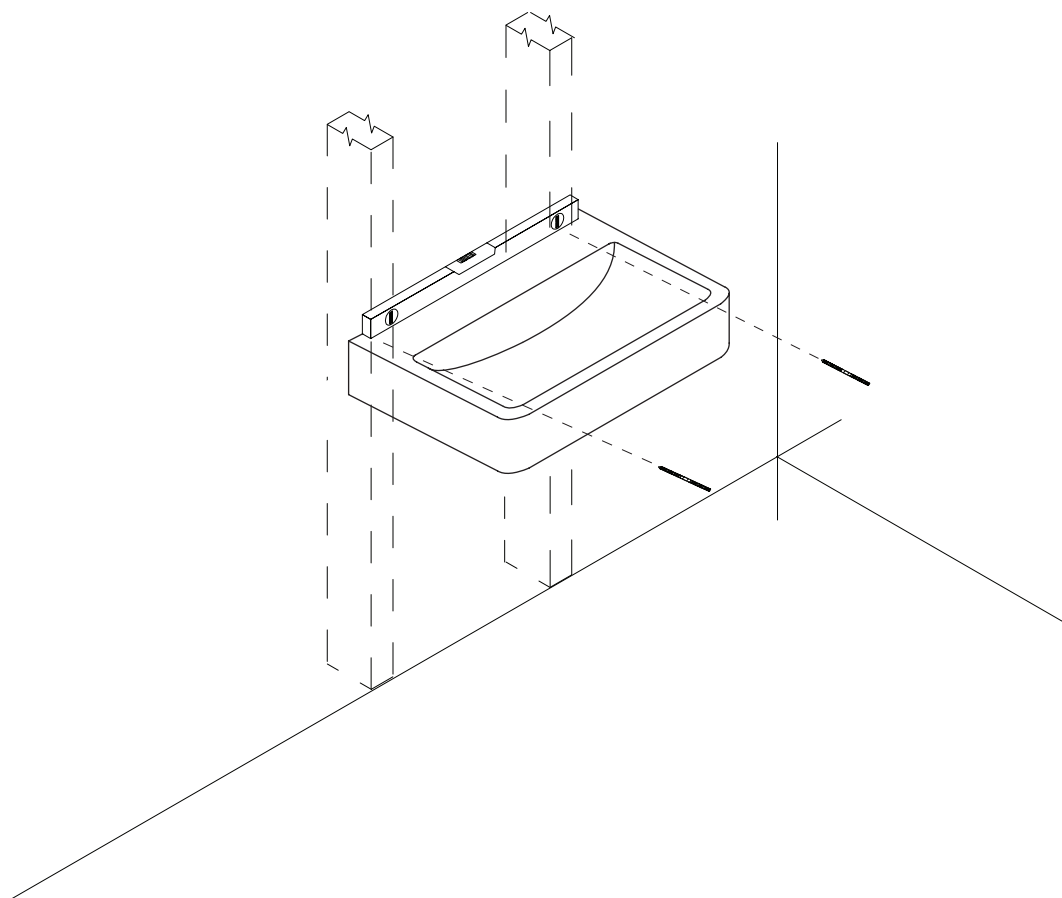
Distributed by:

Plumbline

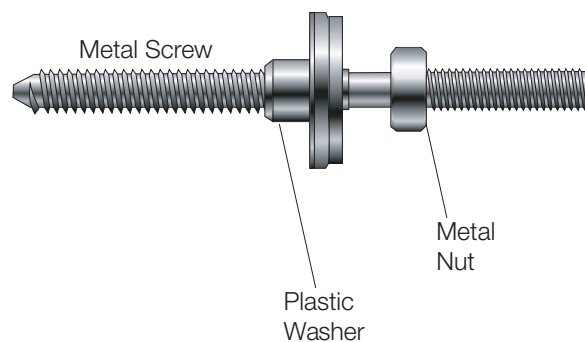
Exceptional Bathrooms.
Exceptional Choice.

T 04 568 9898 E sales@plumblin.e.co.nz
www.plumblin.e.co.nz

⚠ **Important!** Before installing ensure there is sufficient timber framing in the wall to securely fasten your basin to.

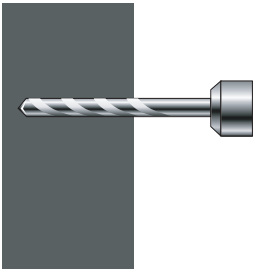


Bolt Set Supplied

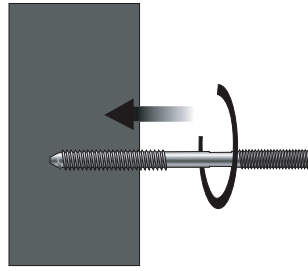


Installation Instructions

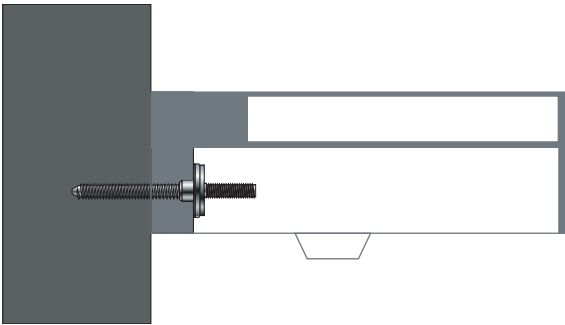
1. Drill holes in the required positions into the timber framing using a 7mm drill bit.



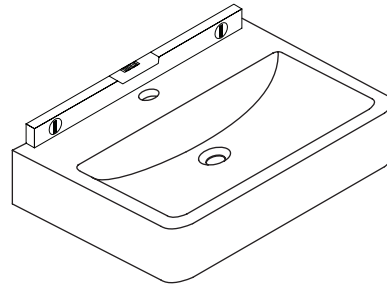
2. Screw a fixing bolt into each hole using an 8mm spanner to tighten. Tighten until the spanner contacts the wall.



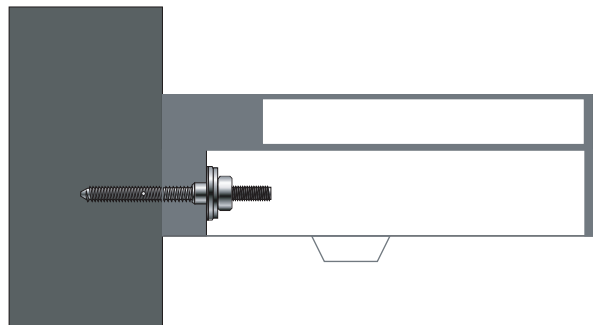
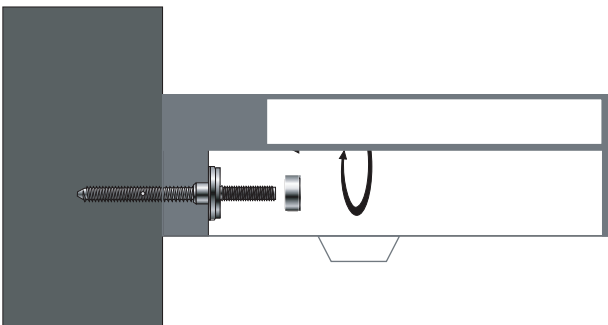
3. Place the basin in position against the wall, locating the fixing bolts through the holes in the rear of the basin. Push a plastic washer onto each fixing bolt.



4. Before fixing the basin in place, ensure that the basin is sitting level.



5. Screw the metal nut onto each fixing bolt to secure the basin in place.



6. Apply a small bead of silicone around the back edge of the basin. Finally fit the basin with the chosen tapware, waste and bottle trap.

