

# SPECIFICATION SHEET

## Frank Plus 600mm 2 Drawer Wall Vanity



### Features

- Wall Hung
- 2 Drawer
- Extrusion Rail - Matte White & Matte Black  
*Matte White Vanities are paired with Matte White Extrusion.  
Charred Elm Vanities are paired with Matte Black Extrusion.*
- 20mm Clasico VC Basin with Overflow
- Dimensions: H670 x W600 x D465
- Designed & Assembled in NZ

### Colour Options with Code

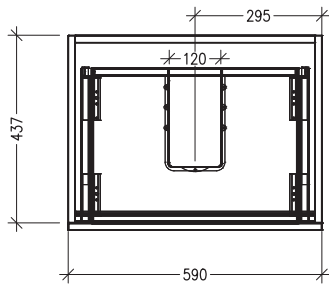


Matte White  
9268MW

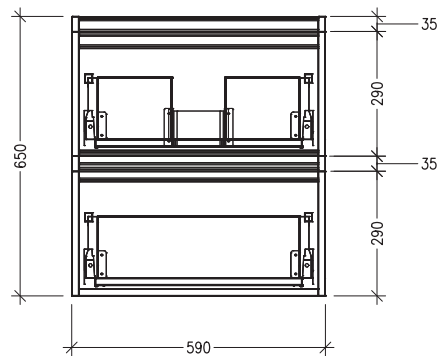
Charred Elm  
9268CE

### Technical Details

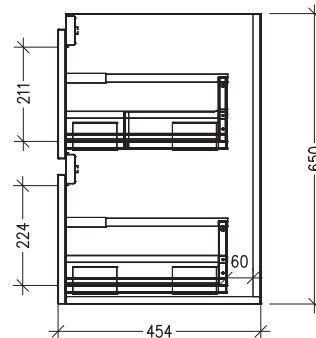
Note: All measurements shown are in millimetres. Sizes are nominal.



TOP VIEW



FRONT VIEW



SIDE VIEW

