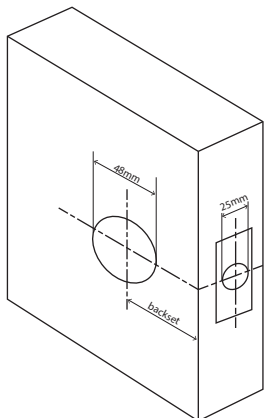


### ASTRON PASSAGE SET

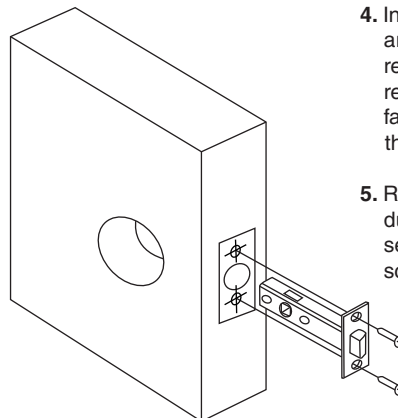
#### Product codes:

7059 | 7107 | 7422 | 7432 | 7036 | 7033

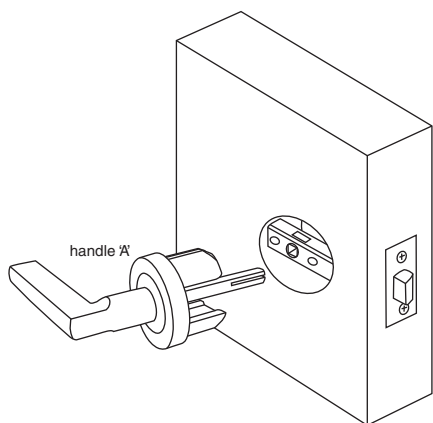
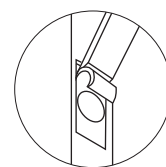
To view an easy to follow how-to video for installing this product visit [windsorhardware.co.nz/installation](http://windsorhardware.co.nz/installation).



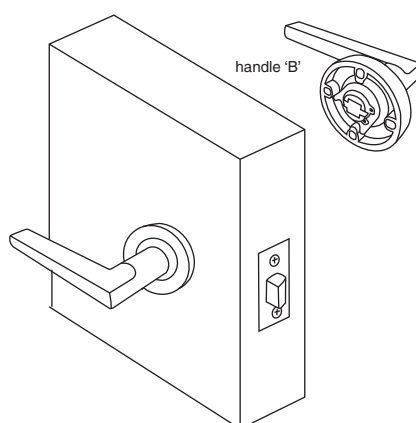
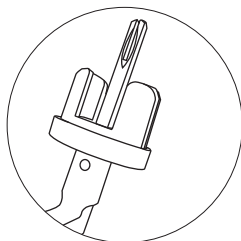
1. Measure the door thickness and mark the centre at the desired height for the latch.
2. Drill a 25mm (1") diameter hole through the door edge to a depth of at least 90mm. Ensure this hole is square to the door.
3. Mark the face of the door each side for drilling a 48mm diameter hole. The centre of the spindle hole will need to be 60mm from the door edge (backset). We recommend using a 48mm hole saw. For clean cut-outs, drill from both sides, meeting in the middle of the door.



4. Insert the latch, scribe around the faceplate, remove, then chisel out recess to enable the latch faceplate to sit flush with the door edge.
5. Remove any loose saw dust, insert the latch and secure it with the wood screws provided.



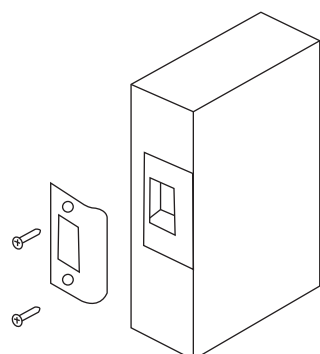
6. Insert handle 'A' in the 48mm hole with the spindle and rapidFIT® attached and press against the door. Ensure the grooved side of the spindle is aligned with the grub screws on the handles.



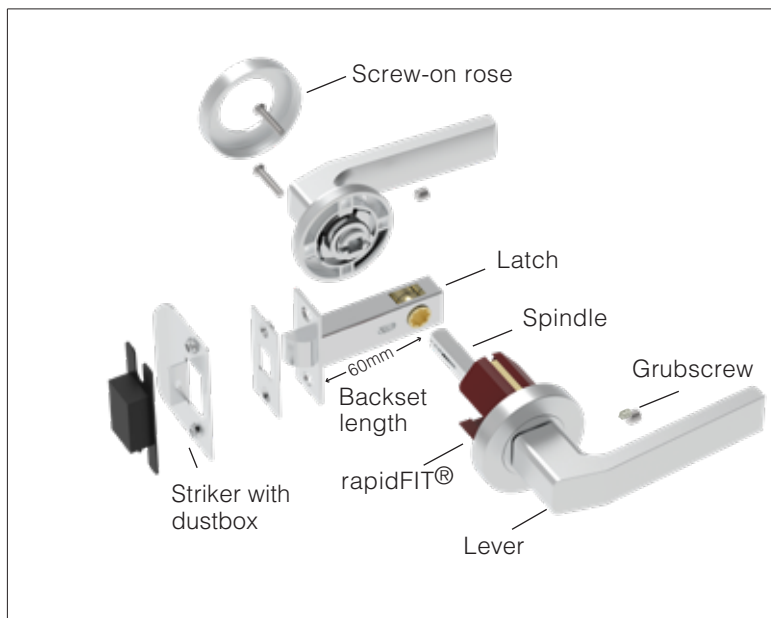
7. Insert 'handle B' over the spindle. Ensure the handles are straight before securing the through fixing screws.

8. Screw the rose cover onto the handle and tighten the grub screws on the side of the levers onto the spindle for each side of the door. For the square rose (Astron Elite) press on the rose cover and tighten the grub screw on the side of the rose.

*Note: The grub screws may need a re-tighten after a bedding-in period. We recommend medium strength thread-lock to be used, Windsor code:1276*



9. Close the door against the frame and mark the latch position for fitting of the striker.
10. Router or chisel so the striker fits flush, allowing for the plastic dustbox behind the striker.
11. Secure the striker with the wood screws provided. Test the door and if necessary, adjust the striker anti-rattle tab to take up any rattle.

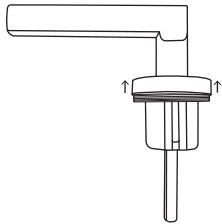


### ASTRON PASSAGE SET - rapidFIT REMOVED

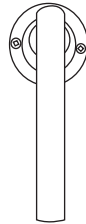
#### Product codes:

7059 | 7107 | 7422 | 7432 | 7036 | 7033

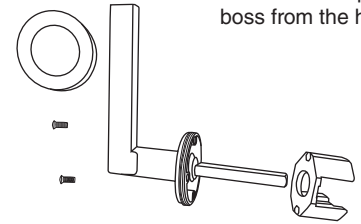
To view an easy to follow how-to video for installing this product visit [windsorhardware.co.nz/installation](http://windsorhardware.co.nz/installation).



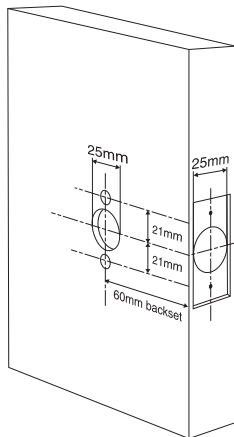
1. Remove the rose cover from the handle.  
For the round roses unscrew rose cover.  
For the square roses (Elite) unscrew the grubscrew on the side of the rose and pop off the rose cover.



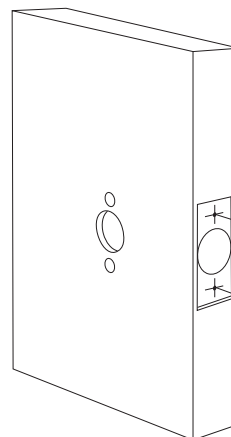
2. Remove the screws with the red screw head.



3. Remove the rapidFIT boss from the handle.

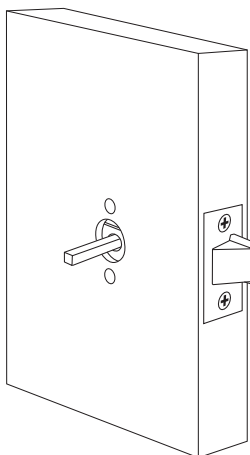
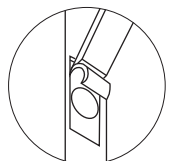


4. Measure the door thickness and mark the centre of the door edge at the desired height for the latch.
5. Drill a 25mm (1") diameter hole through the door edge to a depth of at least 90mm. Ensure this hole is square to the door.
6. Mark the face of the door each side for drilling a 25mm diameter spindle hole. The centre of the spindle hole will need to be 60mm from the door edge (backset). Mark two screw holes at 21mm above and below the centre of the spindle hole. Drill the screw holes to 6mm diameter. For clean cut-outs, drill from both sides, meeting in the middle of the door.

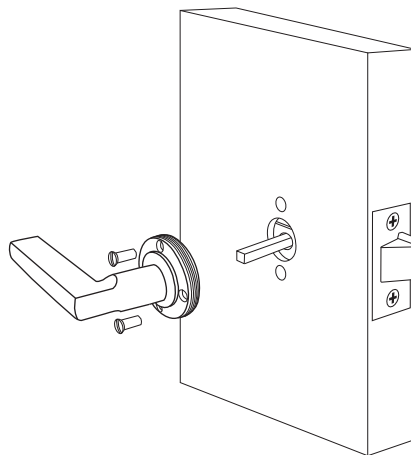
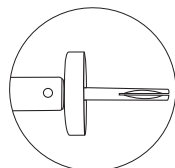


7. Insert the latch, scribe around the faceplate, remove, then chisel out recess to enable the latch faceplate to sit flush with the door edge.

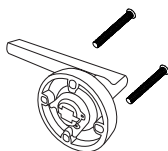
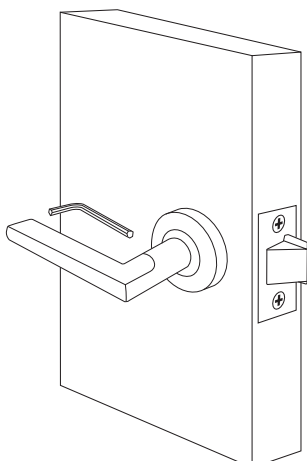
8. Remove any loose saw dust, insert the latch and secure it with the wood screws provided.



9. Unscrew or pull off the rose covers and insert the spindle into the latch so an even amount protrudes on each side of the door. Ensure the grooved side of the spindle is aligned with the grubscrews on the handles.



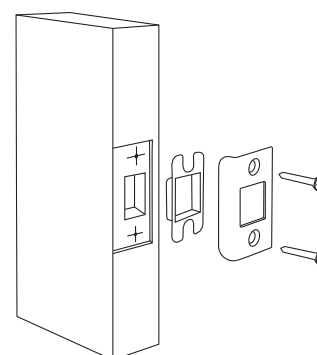
10. Insert the blind nuts through the face of the rose at two vertical positions. Slide the handle over the spindle and press against the door.



11. Slide the handle on the opposite side of the door over the spindle and press against the door. Insert the long bolts through the face of the rose and tighten them into the blind nuts.

12. Screw the rose covers onto the handles and tighten the grubscrews on the side of the levers onto the spindle for each side of the door. For the square rose (Astron) press on the rose covers and tighten the grubscrews on the sides onto the roses.

*Note: The grubscrews may need a re-tighten after a bedding-in period. We recommend medium strength thread-lock to be used, Windsor code: 1276*



13. Close the door against the frame and mark the latch position for fitting of the striker.

14. Router or chisel so the striker fits flush, allowing for the plastic dustbox behind the striker.

15. Secure the striker with the wood screws provided.

16. Adjust the anti-rattle tab on the inside of the striker if necessary to ensure a firm close of the door.