

BOSTON TYPE B

MEDIUM CLINICAL HAND BASIN
610 x 460mm

CODE: J3092.x.PW1

FEATURES

- Type B hand basin - for clinic hand washing use*
- Available with 0 or 1 taphole
- Generous, wide soap platform area
- No overflow
- Secure wall fixings supplied
- Hygienic, durable glaze finish
- 13L bowl capacity

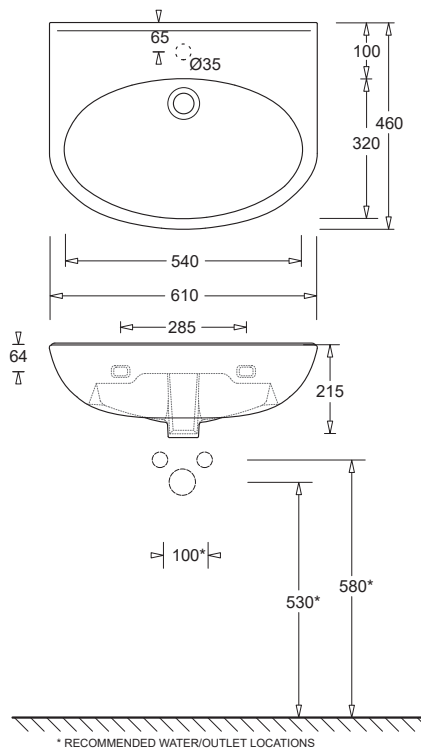
COMPONENTS

Boston Type B basin - 0 taphole	OR	J3162.0
Boston Type B basin - 1 taphole		J3162.1
32mm pop-up waste		PW1
Wall installation kit (rag bolts)		X022

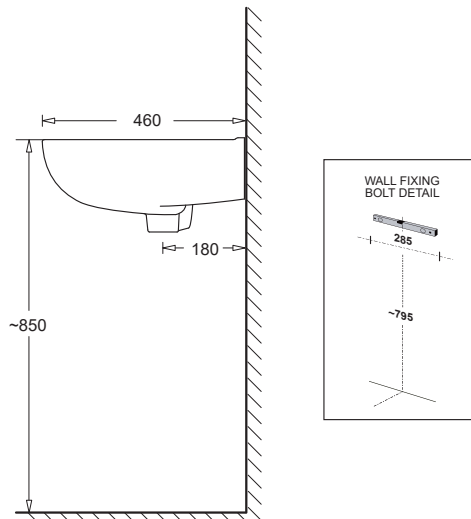


WARRANTY

Vitreous china 25 years replacement
-refer to T&Cs at www.johnsonsuiss.com.au



PRODUCT DIMENSIONS



*Suitable as a Type B - Medium Clinical Staff basin per Australian Health Facility Guidelines Part: D.

TECHNICAL DATA SHEET

SUPERSEDES ALL PREVIOUS ISSUES

All dimensions are in millimetres and are subject to normal manufacturing variation.
As product development is ongoing BPA reserves the right to vary specifications without notice.
Bathroom Products Australia Pty Ltd ABN 87 079 297 617
1023

JohnsonSuisse
Bathroom Solutions

2/97 Banksia St.,
Botany, NSW 2019
TEL: 1300 717 717
www.johnsonsuiss.com.au