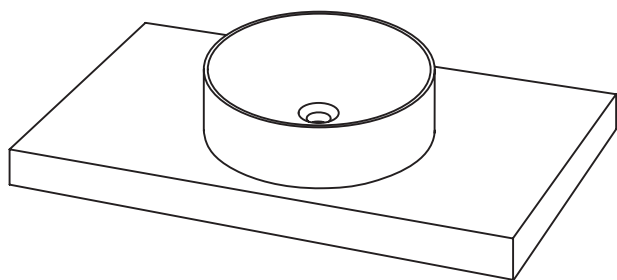


# INSTALLATION INSTRUCTIONS

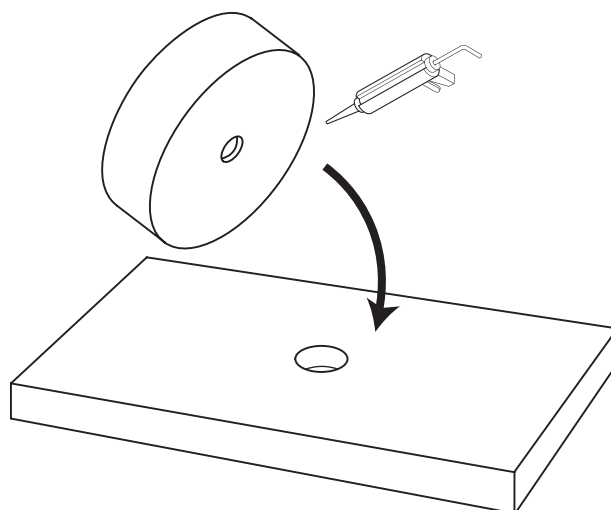
## VESSEL BASINS

progetto  
DESIGN COLLECTION

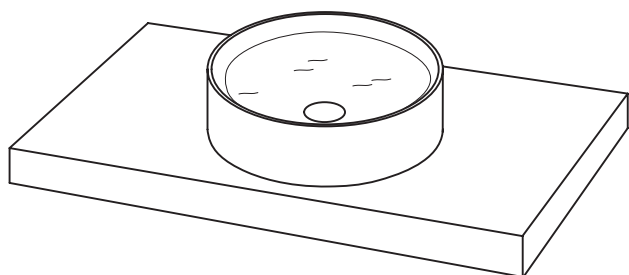
1 - Firstly, dry-fit the basin prior to applying silicone to ensure the waste hole aligns with the waste trap.



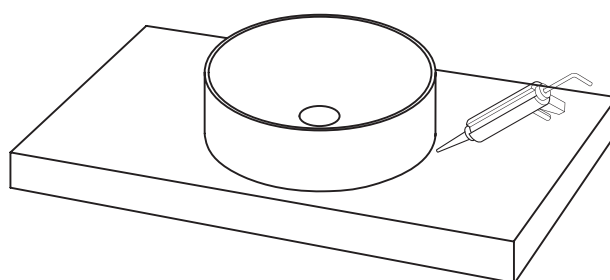
2 - Apply a small bead of silicone on the underside of the basin, and place it the desired position.



3 - Connect up the waste and test for any leaks.



4 - Finally, apply a bead of silicone around the bottom edge to seal between the vanity top and basin.



Distributed by:

**Plumblin**e

T 04 568 9898 E sales@plumblin.co.nz  
www.plumblin.co.nz