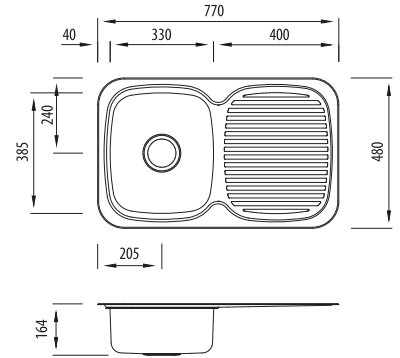


LakeLand

LL115 NZ NTH LHB OF Single Bowl Sink With Drainer



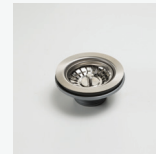
All dimensions in mm



Specifications /

Sink size	770W x 480H mm
Bowl size	Main Bowl 330W x 385H x 155D / 17L
Construction	2 piece, bowls and drainer seam welded
Material	304 grade, 18/10 polished stainless steel (0.8 mm thick)
Installation	Topmount recommended
Fixings	Adjustable clips and sealing foam supplied
Min cabinet size	500 mm
Tap holes	No tap hole
Waste fittings	1 x 90 mm basket waste included
Overflow	Included (back of left hand bowl)
Carton size	780 x 490 x 170 mm
Weight	4.5 kg
Warranty	Lifetime manufacturer's warranty (refer to oliveri.co.nz)
Maintenance and care instructions	All surfaces should be cleaned with mild liquid detergent or soap and water. To maintain the shine on your Oliveri stainless steel sink, we recommended the use of any of the easy to obtain, non-abrasive stainless steel cleaners or metal polishes.

Included accessories /



AC05
Basket Waste Kit for
Overflow



Overflow
Round with Cover